

This desk is designed to save space by moving vertically so that it stays inside its original footprint when adjusting up and down, with no need to adjust the surrounding space to accommodate its movement.



DELUXE STEPLESS SIT STAND CONVERTER



Get more active throughout your day with Pneumatic Height Adjustable Converter Desk.

Stepless height adjustment, just squeeze the side handles and go from sitting to standing in seconds, just leave lever and desk itself locks at that position.



DELUXE STEPLESS SIT STAND CONVERTER

About Product

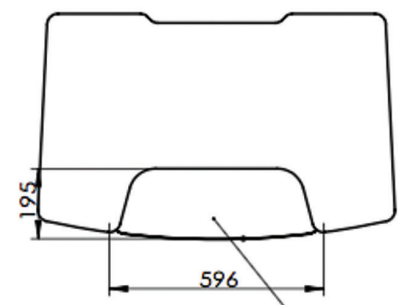
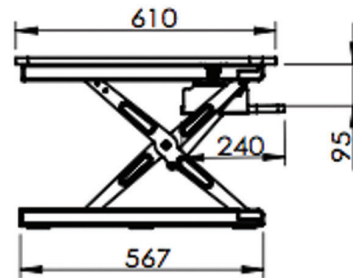
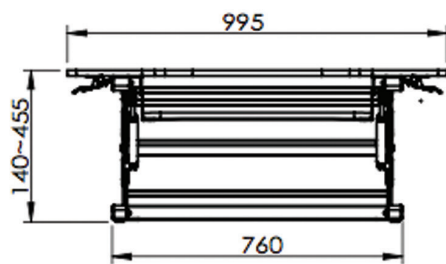
Enjoy life Health: Health is more than money you earned sitting at the office working your back off at the desk. It is proven that standing and working for atleast 10 minutes for every hour you work can do wonders for your health.

Reduce Neck pain: Constant bending of the neck at an uncomfortable angle to look at your monitor screen never did any good to you.

Reduce back pain: That tail bone of yours was not designed to sit all day and sitting is a position that is not natural to the human body. Contantly sitting does more damage to the tailbone that the body cannot recover from even after a heavy workout later in the day.

Reduce obesity: Unlike what we have come to experience since birth, standing is actually a tough job for the body. Almost all muscles in the lower body is engaged while standing to keep us balanced. Standing uses a lot more energy than sitting and it may help your weight loss goal a lot.

Enhanced productivity and More money for you: It is been prooven that using a standing desk at your office enhances your productivity by as much as 50% for a short term usage of six months. It can do wonders to your overall team productivity within a short term, thus giving your team a natural edge over others.Its means the more output and thus desk starts earning money for you.



Specifications

- ➔ **TWO TIER STRUCTRE :** Separate shelf for monitor and keyboard. Top shelf diagonal width of 995 mm wide and depth of 415 mm can keep 2 monitor upto 24 inches keyboard tray of 596 mm wide and 195 mm deep can keep a mouse, keyboard and still have space to keep your phone, papers, coffee etc. In this you will never run out of room .
- ➔ **Stepless height settings** for your free height adjustment. Thanks to a gas-spring assisted lifting mechanism, height adjustments are smooth and require little effort and can stop any level between minimum of 140 mm to maximum of 455 mm. Squeeze lever effortlessly adjust height and it self locks where u leave the lever.
- ➔ It is rock solid at any height when locked and not shaky. Mechanism is made of steel and the top surface is quality MDF board feating high impact resistance.
- ➔ The height difference between the top display tray and the keyboard tray is optimally planned for ergonomic viewing angles.
- ➔ **Worksurface Weight Capacity** is 15kg (33lbs).
- ➔ Comes 95% preassembled, just need to screw keyboard tray and start using the desk. So easy for anybody to buy and start using at home or office.
- ➔ **Stress tets** for tested for over 10000 rise and lower done. So desk have a very long life and will also many years.