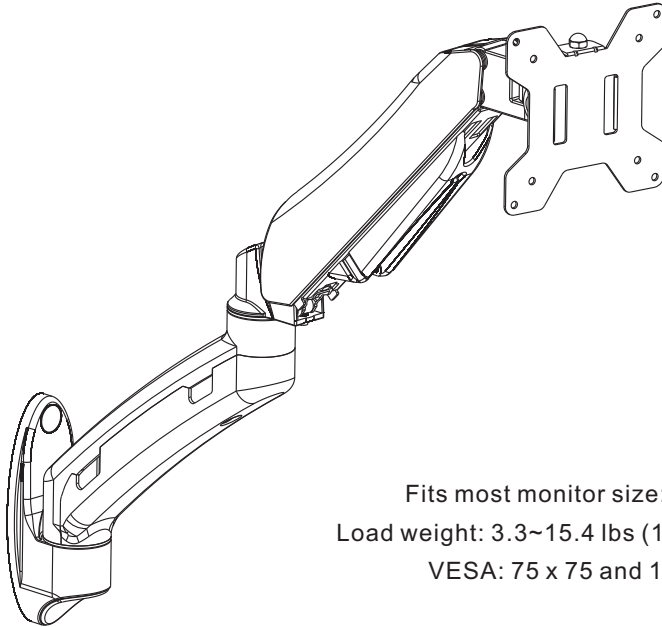


Installation Instruction



Fits most monitor size: 13"-27"
Load weight: 3.3~15.4 lbs (1.5~7 kg)
VESA: 75 x 75 and 100 x 100

UNPACKING INSTRUCTIONS

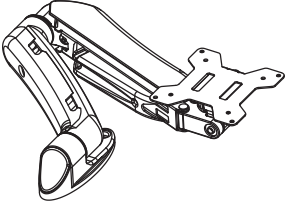
- Carefully open the carton, remove contents and lay out on cardboard or other protective surface to avoid damage.
- Check package contents against the Supplied Parts List in the next page to assure that all components were received undamaged. Do not use damaged or defective parts.
- Carefully read all instructions before attempting installation.

IMPORTANT SAFETY INFORMATION

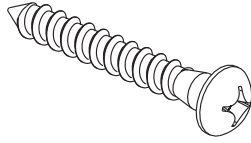
- Install and operate this device with care. Please read this instruction before installation, and carefully follow all instructions contained herein. Use proper safety equipment during installation.
- Please call a qualified installation contractor for help if you don't understand these directions or have any doubts about the safety of the installation.

Do not use this product for any purpose or in any configuration not explicitly specified in this instruction. We hereby disclaims any and all liability for injury or damage arising from incorrect assembly, incorrect mounting, or incorrect use of this product.

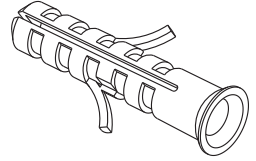
Supplied Parts List



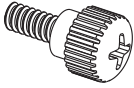
(1) Single Arm Set-a



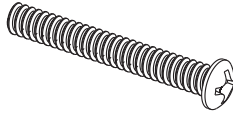
(2) M6x45 Lag Bolt-b



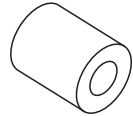
(2) M8x40
Concrete Anchor-c



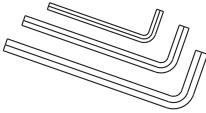
(4)M4x12
Thumb Bolt-d



(4)M4x30 Bolt-e



(4)M4 Spacer-f

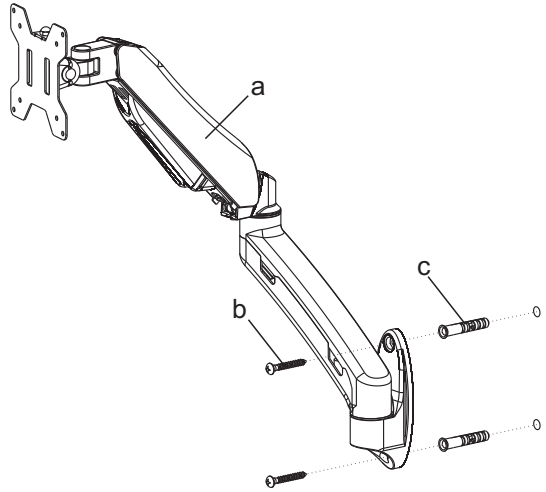
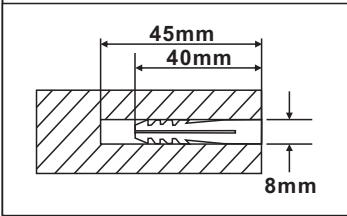
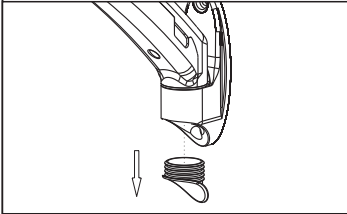


(1)Allen Key-g

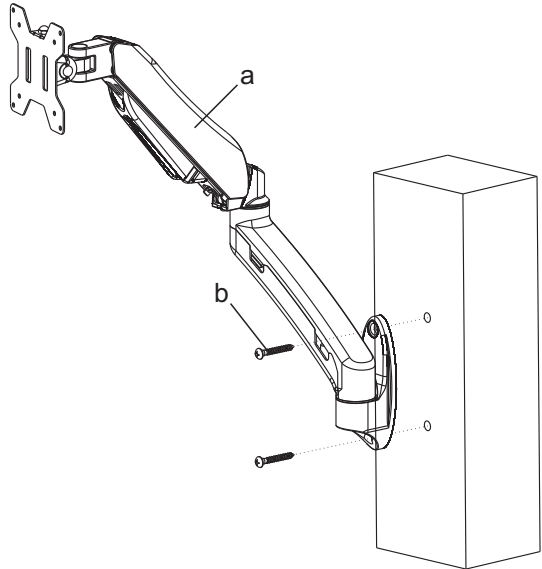
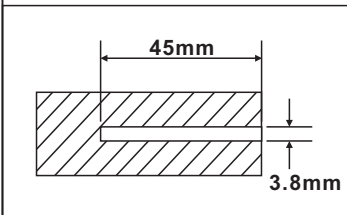
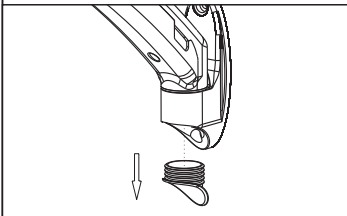


(1)Bolt Cover-h

Brick Mount

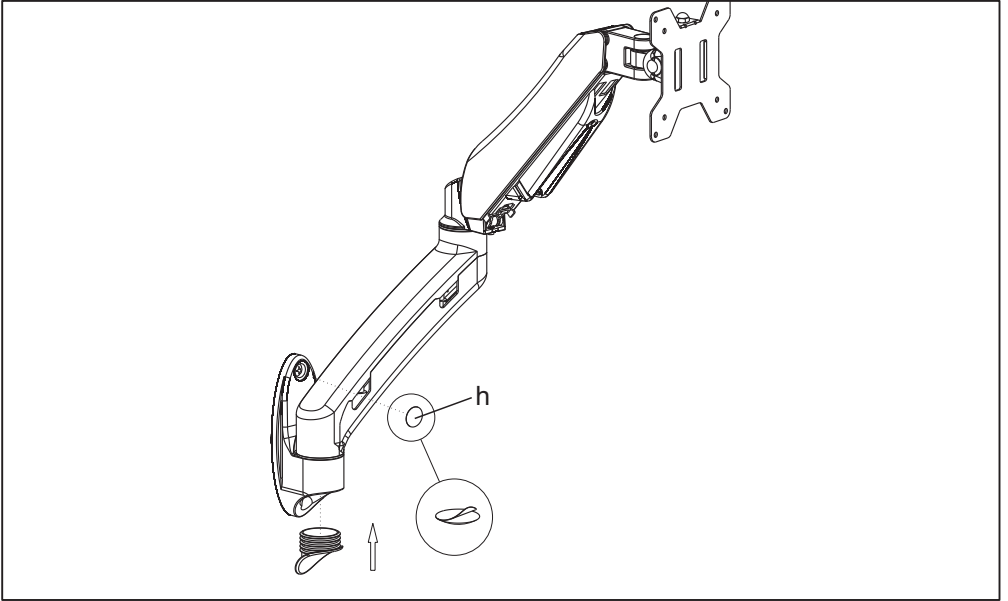


Wood Mount



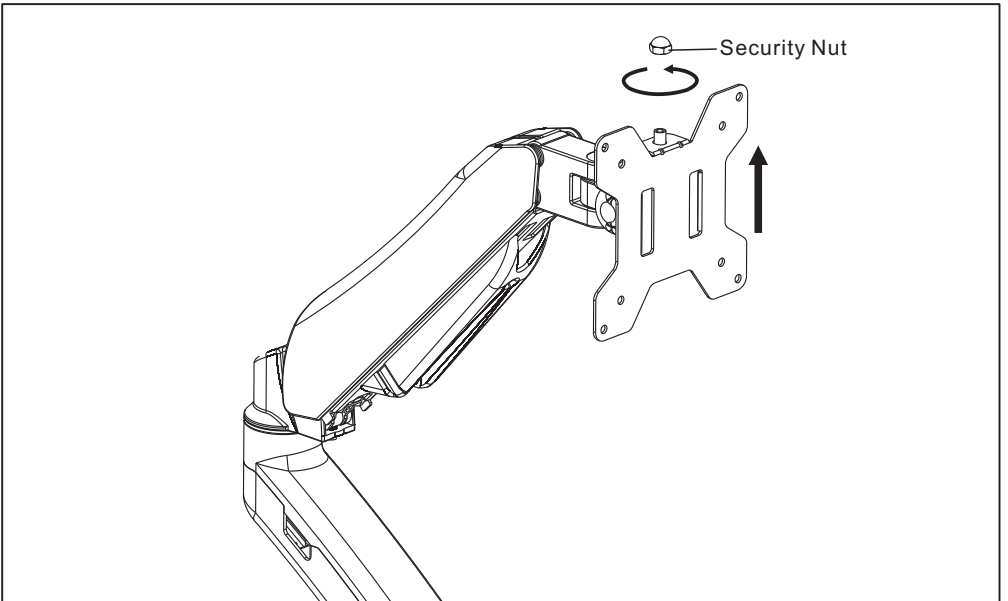
Step 2

Attaching the Plastic Cap and Bolt Cover to the Arm Set



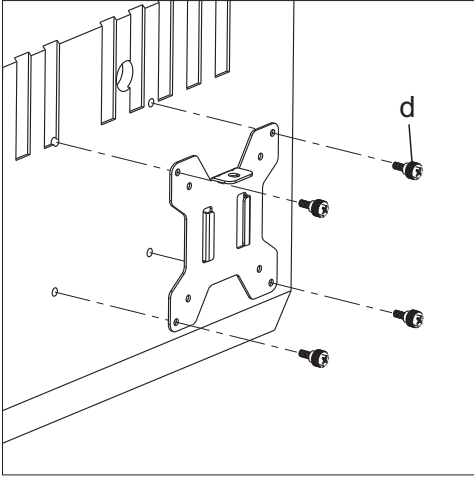
Step 3

Removing the Security Nut and Taking Down the VESA Plate

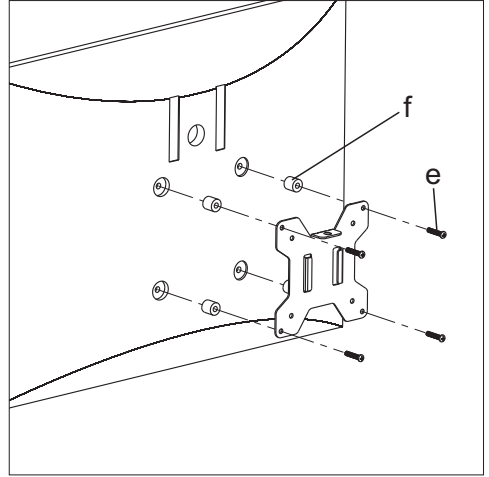


Step 4

Attaching the VESA Plate to the Monitor



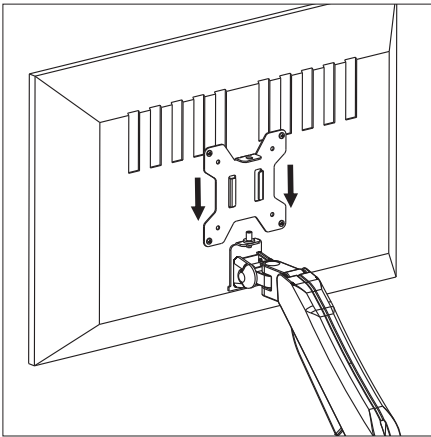
For Monitor with Flat Back



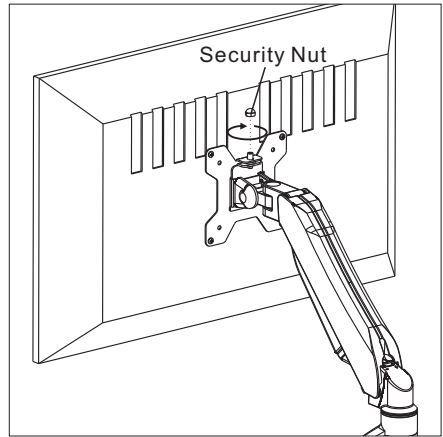
For Monitor with Curved or Recessed Back

Step 5

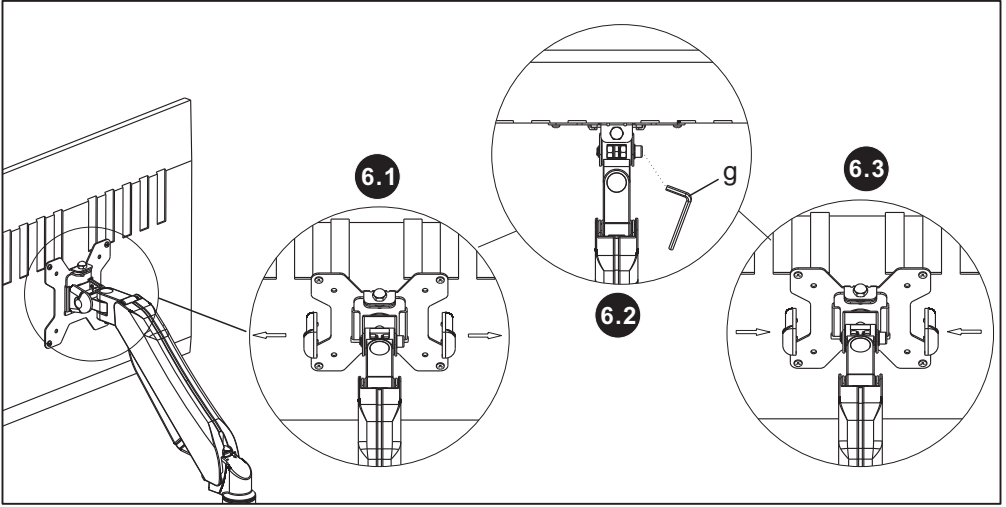
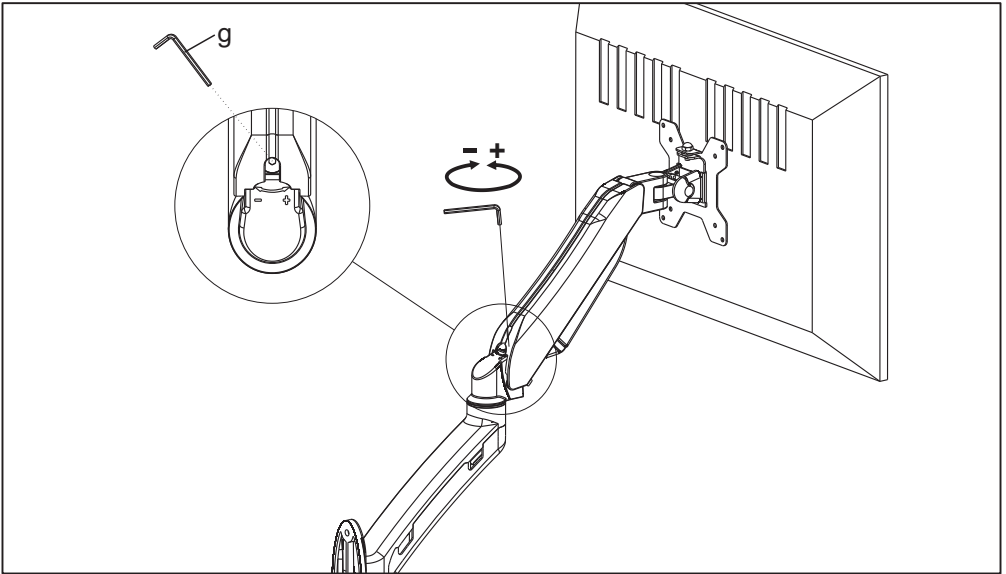
Sliding the Monitor onto the Head of Single Arm Set



Slide the monitor onto the head of Single Arm Set(a) as shown in the above diagram.



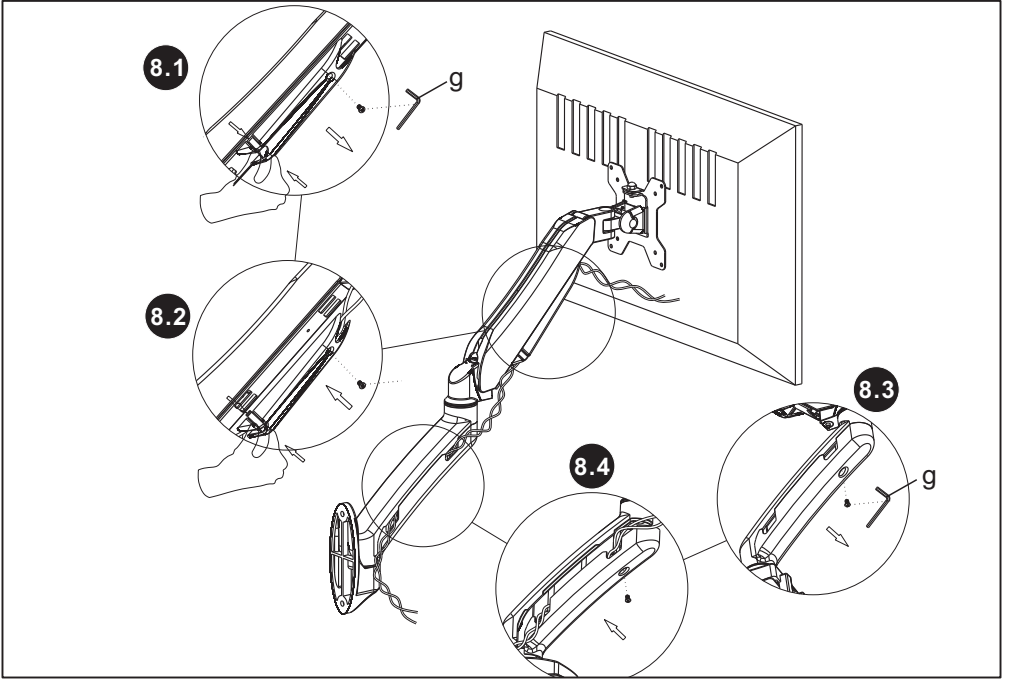
Install the Security Nut. Make sure the security nut is installed before you rotate the monitor.

Step 6**Setting the Tilt Angle Position****Step 7****Adjusting the Torque of Gas Spring**

Adjust the torque of gas spring according to the weight of your monitor. If your monitor can not stay in the lower position, turn the grub screw clockwise(-). If your monitor can not stay in the higher position, turn the grub screw counterclockwise(+). Keep turning until monitor position can be raised and lowered easily.

Step 8

Managing the AV Cables



Finish

Technical Drawing

