

## Mobile TV Stand with AV Tray



### TV Floor Stand on Wheels | Universal Mobile TV Stand

A TV stand with locking storage is an economical entertainment center for commercial use that is finished in powder-coated. Designed in modular construction, it is easy to install and set up and disassemble. AV Tray for keeping your interactive peripherals and accessories safe and neat. Integrated cable management through routing cables holes at the back of the cabinet. Flexible and installer-friendly. Easy and convenient. Perfect space saver and mobility.

#### Specifications:-

- Screen Support: 32" to 70"
- VESA: 800x450mm (max)
- Height Adjustable: 1100mm (43.3 Inch) to 1800mm (70.9)
- AV Tray Size: Width: 498mm (19.6") x Depth: 400mm (15.7")
- Screen Tilt: -15°
- Color: Silver



**Locking wheels and sturdy base**  
This mobile stand has four wheels, all with locking wheels. This allows the cart to stay stationary or it will move at any time with just a twist of the locking mechanism. Perfect for home, business, trade shows, and classroom settings.

**VCTS12**





## Sturdy Design



**Height Adjustable**  
Also moves 90°  
(left and right).



**Screen Tilt**  
-15°



**Cable Management**  
Hide all the cables and  
wires inside the telescopic  
columns

## Key Features

### Compatibility

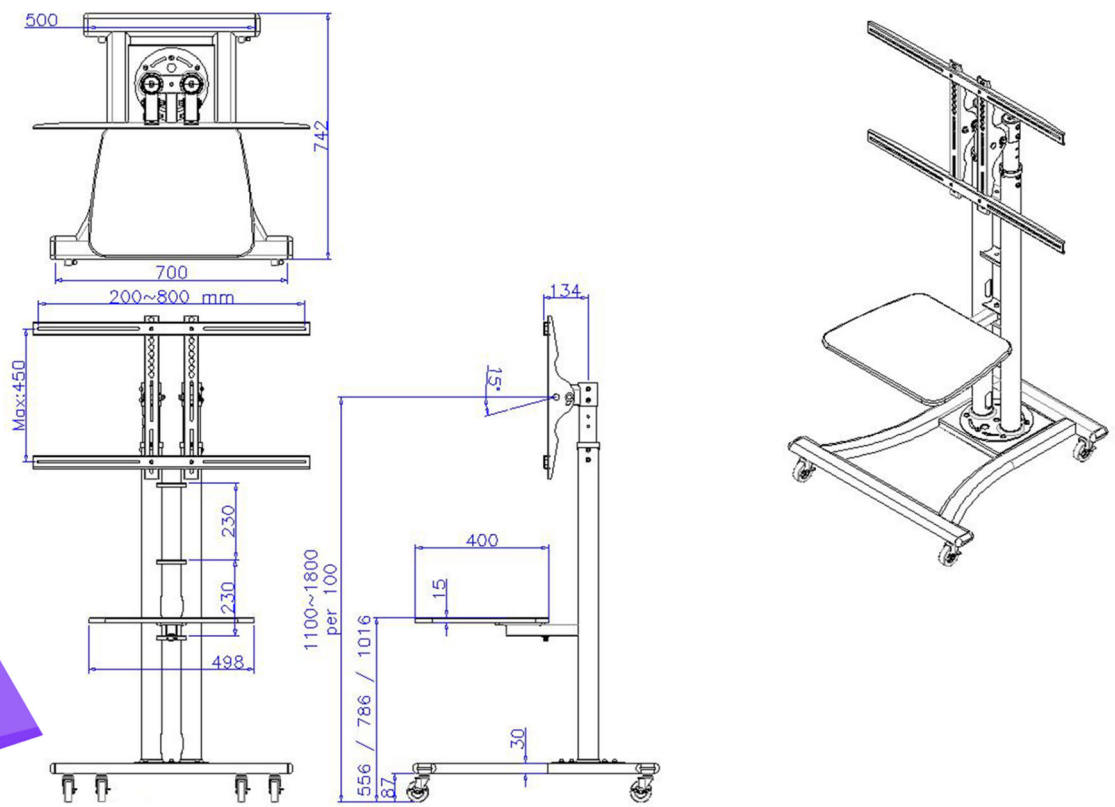
SUITABLE most 32" to 70" LCD LED OLED Flat  
Screens TVs up to 50 kg with VESA patterns of  
800x450mm (max)



### Shelve

AV Tray for your gaming console, DVD player,  
electronic accessories, and other equipment.  
Width: 498mm (19.6") x Depth: 400mm (15.7"). It  
also moves 90 degrees (left and right).

## Dimensions



- Internal cable management allows you to hide all the wires inside the TV stand column
- Optimize your viewing angle with +15 and -15 degrees of tilt. Simply loosen and tighten the screw to adjust the angle of the flat panel.

## Telescopic Columns



## Contact us



**India:** Rife Technologies, 362, Vardhaman Plaza - II, J Block Community Center, Rajouri Garden, Delhi - 110027, India  
E-mail: sales@rifeindia.com, Website: www.lcdtvstandsindia.com, www.rifeindia.com, Tel: +91-9899250704

**Hongkong:** Ergonomic Corporation Hongkong Limited, 1102, 11th floor, 33 hysen Avenue, Lee Garden one, Causeway Bay, Hongkong  
E-mail: sales@ergoshopping.com, Website: www.ergoshopping.com, Tel: 852-98226451