

Mobile TV Stand Rolling Cart

VCT01-T



UNIVERSAL MOBILE TV CART

Universal mobile TV cart with one shelf for commercial and home use. Ideal for conference rooms, schools, hospitals and trade shows. Avoid holes in your walls and use a TV Cart instead. You can roll it from one room to another or roll it outside to your porch, pool, or backyard. The quality black finish matches most flat-screen TVs in their home or office environment. Easy to assemble or disassemble.

- MATERIAL: Steel, Plastic Decorative Parts
- COLOR: Black
- SHELVES: 2 (AV shelf and Camera shelf)
- CARRYING CAPACITY: 110 lbs
- HEIGHT ADJUSTABLE: 63.7~67.7 inches
- VESA: 600x400mm MAX



HIGH-QUALITY STURDY BASE

Premium quality casters make it easy to move the cart. Lock them to keep the entire stand in place. Wide leg design provides a stable base for this tall TV stand and ensures the security of your TV.



ADJUSTABLE VESA BRACKETS

Universal TV wall mounting bracket fits most of 32-65" LCD/LED/Plasma TVs on the market weighing up 110 lbs (50 kgs),

- **COMPATIBLE VESA:** 600x400, 600x200, 400x400, 400x300, 400x200, 300x300, 200x200, 200x100, 100x100, 75x75 mm.

CONFERENCE WEB-CAM SHELF

Adjustable Small Tray On Top Ideal for placing a camera or router for video meetings.

- **CAM SHELF:** W 7.2" x D 7.2"



AV COMPONENT SHELF

Height adjustable shelf supports DVD players, DVRs, HD recorders, Cable TV Boxes, AV components, gaming systems or camera for videoconferencing.

- **WEIGHT CAPACITY:** 22 lbs



USE PLACES

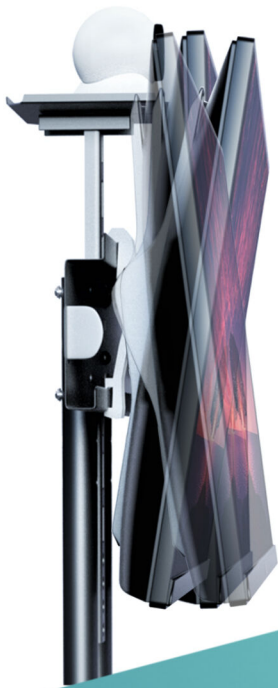
Our universal tv stand is ideal use for any location in offices, homes, schools, boardrooms, hotels, airports, lobbies, hospitals, laboratories, churches, shopping malls and more.



Universal and Durable Design

Our universal tv stand is ideal use for any location in offices, homes, schools, boardrooms, hotels, airports, lobbies, hospitals, laboratories, churches, shopping malls and more. It is a great choice for video conferencing or doing presentations at trade shows, business, PC gaming or entertainment.



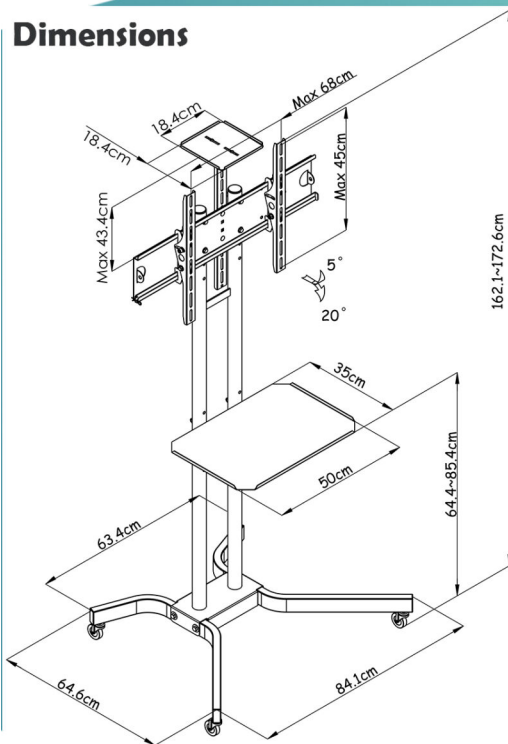


ARTICULATING VESA BRACKETS

TV brackets can tilt down to prevent glare and to provide optimal viewing angle for your audience.

- **TILT:** 5° up and 20° down

Dimensions



FEATURING

- The TV brackets are height adjustable to place the TV just right for your audience. The height of the AV/laptop shelf and the top camera shelf can also be adjusted to suit your needs.
- The TV mount is suitable for TVs from 32 to 65 inches. TV size is provided as an estimate and compatibility of the TV should be verified by checking the bolt hole pattern behind the TV. This mount has adjustable arms and can accommodate the bolt hole pattern of VESA 600x400 or smaller.
- The TV cart has one durable shelf to help carry AV equipment, such as DVD players, laptop computers, cable top boxes, or audio components. The shelf is heavy duty with 22 lbs capacity. The assembly can carry a total of 110 lbs load.
- Premium quality casters make it easy to move the cart. Lock them to keep the entire stand in place. Wide leg design provides a stable base for this tall TV stand and ensures the security of your TV.
- TV brackets can tilt down to prevent glare and to provide an optimal viewing angle for your audience.

Contact us



India: Rife Technologies, 362, Vardhaman Plaza - II, J Block Community Center, Rajouri Garden, Delhi - 110027, India
E-mail: sales@rifeindia.com, Website: www.lcdtvstandsindia.com, www.rifeindia.com, Tel: +91-9899250704

Hongkong: Ergonomic Corporation Hongkong Limited, 1102, 11th floor, 33 hysen Avenue, Lee Garden one, Causeway Bay, Hongkong
E-mail: sales@ergoshopping.com, Website: www.ergoshopping.com, Tel: 852-98226451