

LCD TV CART WITH LOCKABLE CABINET | **MODEL: TMC01**



Universal Bracket to Mount Upto 60" TV.

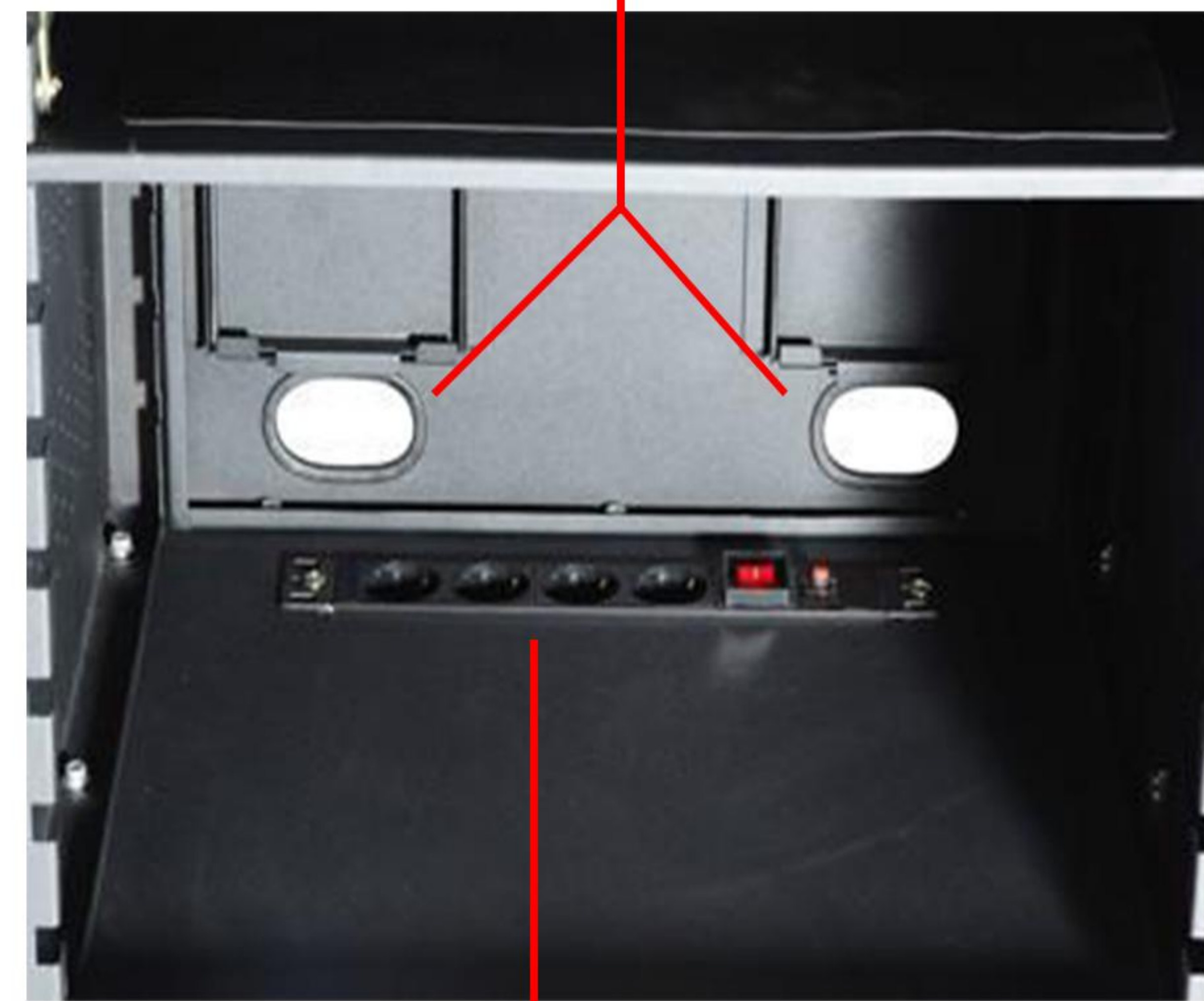


4 Electric Points Outlet on Pole



Lock on media cabinet to keep stored AV devices safe and secure

Cable Management Holes to Keep Cables Neat and Orderly.



4 Electric Point Outlet Inside Cabinet

Metal Bar for Easing Moving



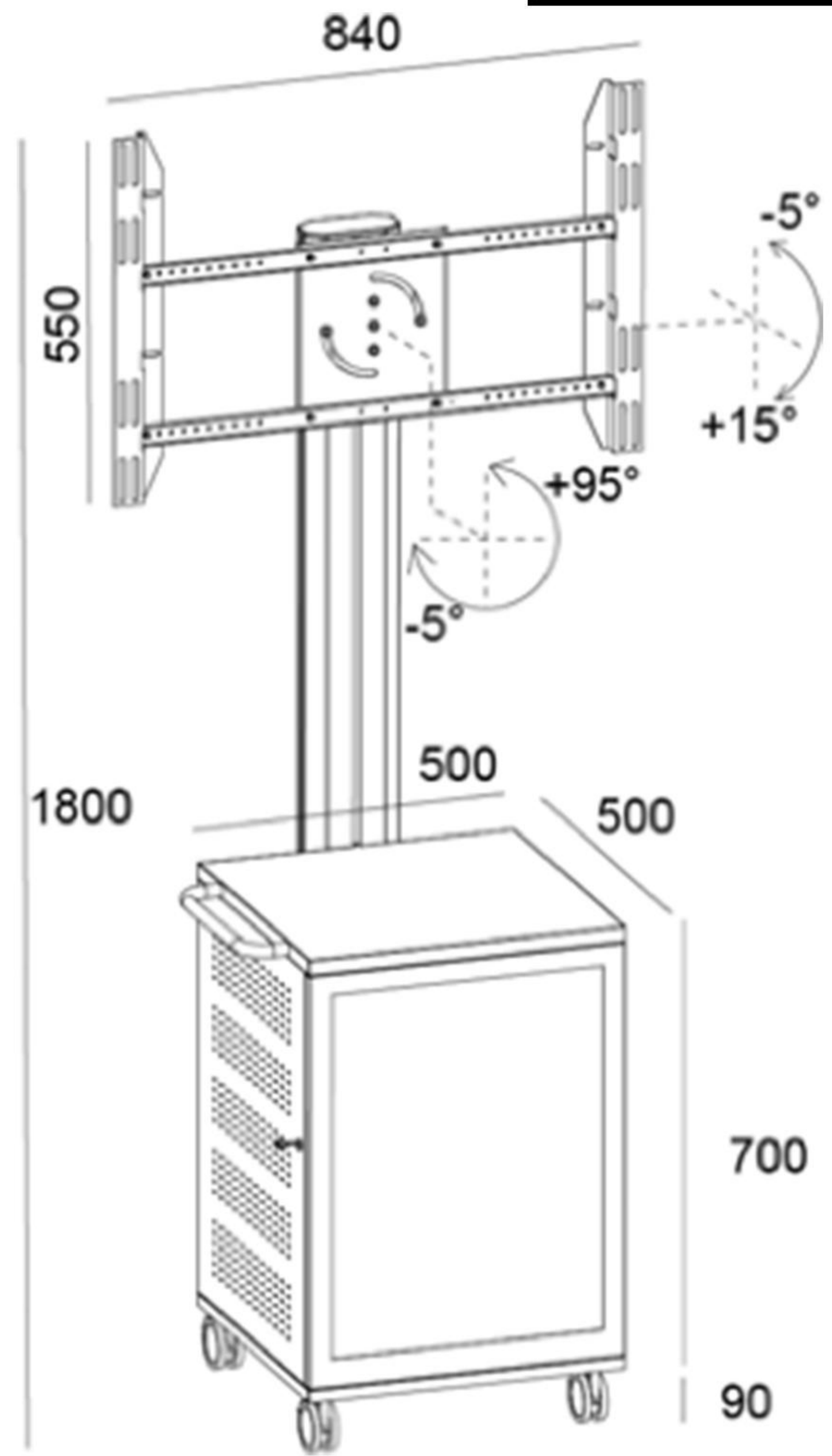
Cabinet Can Open from Backside

Shelves Height Adjustable

3 Adjustable Shelf in Cabinet for Keeping VC Product Laptop or Accessories.



Lock on media Cabinet to Keep Stored AV Devices Safe and Secure

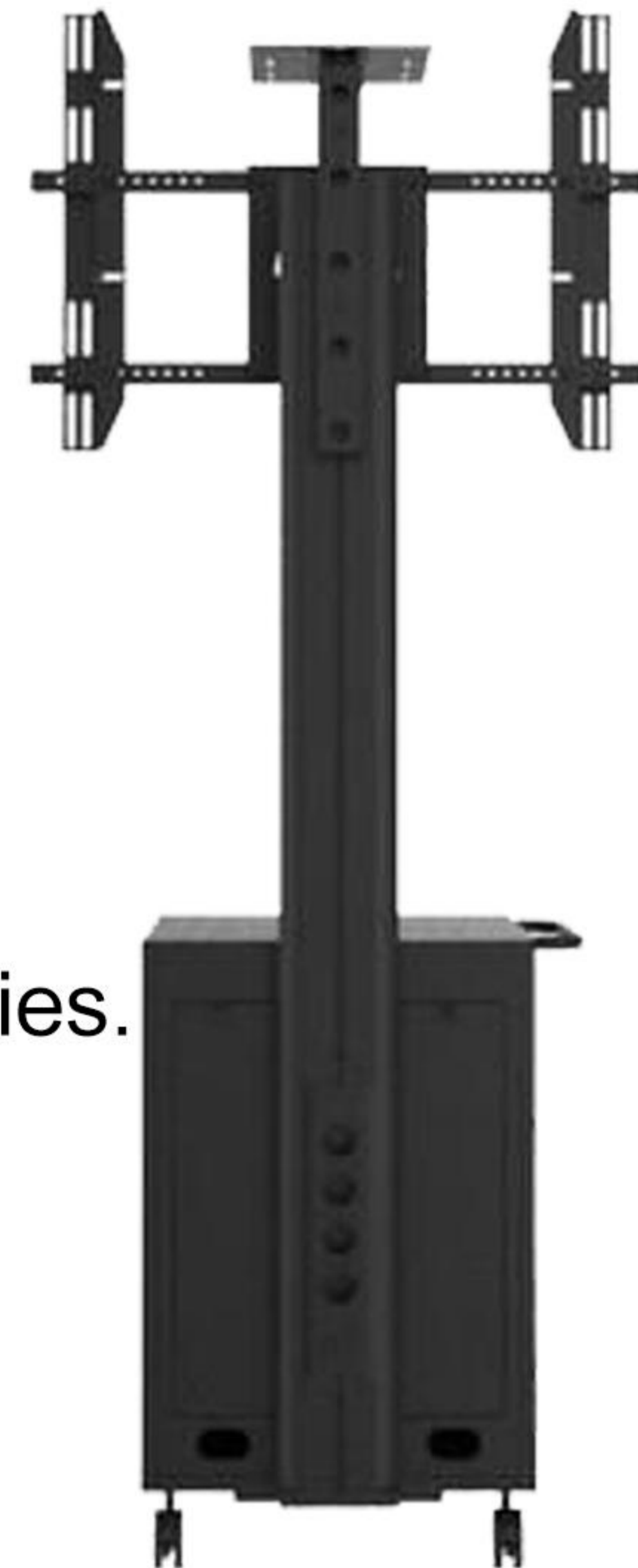


Description

LCD TV cart with storage locking cabinet , Flat Panel Display stand for meeting room. This LCD Tv cart with locking cabinet and with lockable caster, Video Conferencing System Cart and Cabinets is as a convenient way to mount your display and store your equipment.

Features

- ❖ Socket outlet
- ❖ Shelves height adjustable
- ❖ Detachable side doors for organization of cables
- ❖ Cable management & heat releasing holes
- ❖ Gray glass door for infrared remote
- ❖ Metal bar for easing moving
- ❖ 3 adjustable shelf in cabinet for keeping VC product laptop or accessories.
- ❖ 4 electric point outlet inside cabinet
- ❖ Cabinet can open from backside
- ❖ Lock on media cabinet to keep stored AV devices safe and secure



Contact us



India: Rife technologies, 362, Vardhamn Plaza - II J Block Community Center. Rajouri Garden, Delhi - 110027
 E-mail: sales@rifeindia.com | Website: www.lcdtvstandsindia.com, www.rifeindia.com, www.ergodesks.in
 Tel:+91-9899250704

Hongkong: Ergonomic Corporation Hongkong Limited, 1102, 11th floor, 33 hysen Avenue, Lee Garden one Causeway Bay, Hongkong
 E-mail: sales@ergoshopping.com | Website: www.ergoshopping.com | Tel: 852-98226451