



Description

Enhance and improve your work experience and Productivity with our Height adjustable X-Lift Structure Workstation with a two-tier designed platform sits on top of your current desk and gives you the benefit of standing or sitting on demand. This solidly built desktop supports up to 44lbs/20kgs, easily holds multiple monitors or laptops, and monitor combinations.

Electric
X-Lift Standing Desk
Converter



Ample Workspace

The top surface measures 37.5" x 15.7" Providing plenty of space for dual monitors, laptop setups and other important office supplies. Fit in Most Standard Cubicle Corners.

Height Adjustable

Adjust to your proper comfort level by using the innovative electric height locking mechanism (adjustable range: 6" to 18.9")



2 Button Controller

Easy two button controller and Powerful electric Motor mechanism allows you to raise and lower the desk in just seconds.





Stylish and Sturdy

This solidly built desktop supports up to 44lbs/20kgs, easily holds multiple monitors or laptops, and monitor combinations.



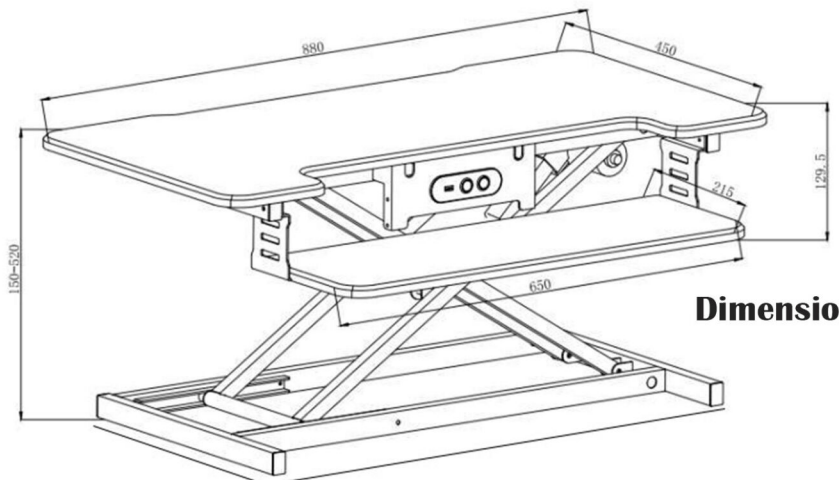
Specifications:-



Powerful Motor

Electric powered motor makes height adjustment smooth and simple. Just plug in to use. Features smooth and quiet height adjustment without shake or rattle, ensuring a stable surface for all your devices.

- Power Input: 100~240V
- Height Adjustment: Electric
- Power Cord Length: 1.2m (3.9ft)



Dimensions

- Ergonomic Height Adjustable.
- Improved posture.
- Steel base with a solid load capacity.
- Spacious workspace.
- Sturdy structure & stable transition.

Contact us



India: Rife Technologies, 362, Vardhaman Plaza - II, J Block Community Center, Rajouri Garden, Delhi - 110027, India
E-mail: sales@rifeindia.com, Website: www.lcdtvstandsindia.com, www.rifeindia.com, Tel:+91-9899250704

Hongkong: Ergonomic Corporation Hongkong Limited, 1102, 11th floor, 33 hysen Avenue, Lee Garden one, Causeway Bay, Hongkong
E-mail: sales@ergoshopping.com, Website: www.ergoshopping.com, Tel: 852-98226451