

## Sit-Stand Desktop Workstations



LET YOUR BODY  
**SPEAK**

RTE



EASY TO  
**OPERATE**

TAKE A STAND  
**AGAINST SITTING**



## Sit-Stand Desktop Workstations



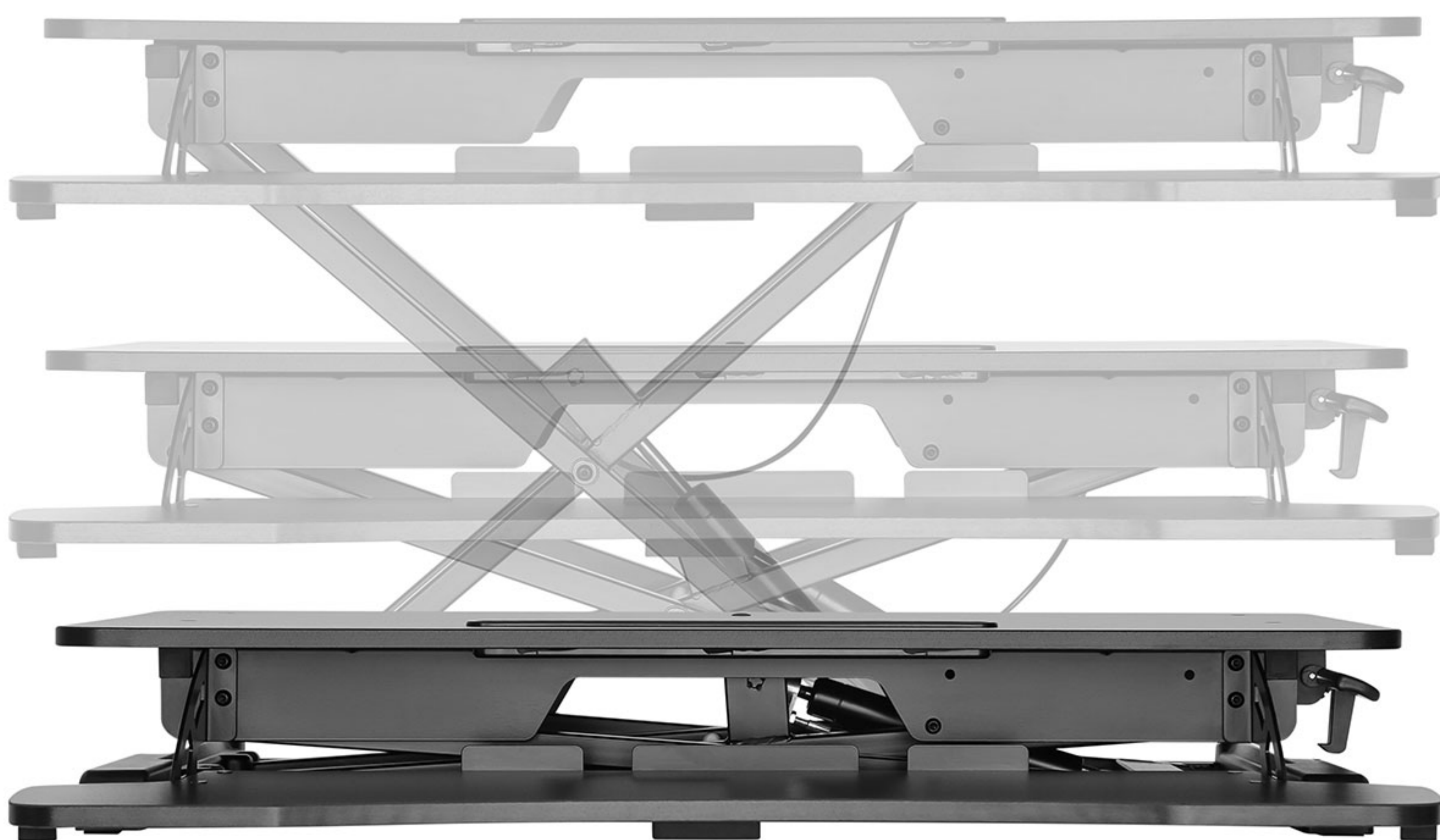
**Eco-friendly particle board**

finished with solid construction

**Gas spring**

creates smooth and quick transitions

One of the most tiring aspects of a desk job is sitting at a desk. As the day goes on, your posture gets worse and then you get in a car and sit longer to drive home. No wonder you're exhausted. Our DWS06 Series is an easy-to-use solution to convert your existing desk into a Sit-Stand environment whether you're in a cubby or a large office.



**15.5"/394mm**

Stepless Height Adjustment

**Squeeze handle**

effortlessly adjust height





**Stepless Height Adjustment**  
allows a comfortable standing  
or sitting position

**The Tray is Large**  
enough to keep keyboard and mouse  
side by side and raises and lowers  
with the top surface



**The Top Surface**  
measures 31.5" x 15.7" providing  
plenty of space for single monitor,  
dual monitor



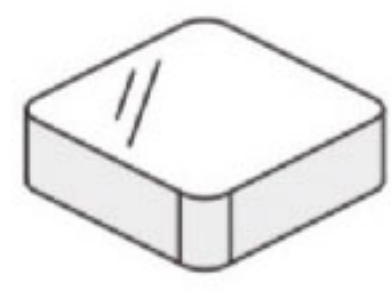
# Sit-Stand Desktop Workstations



Weight Capacity  
15kg/33lbs



Weight Capacity  
2kg/4.4lbs



Desktop Thickness  
12mm/0.5"



RTE

## Colors

 Black

 White

2 Different Colors



RTEW

## The Top Surface

measures 31.5" x 15.7" providing plenty of space for single monitor, dual monitor, and laptop + monitor setups.



## The Secondary Surface

has enough space to fit a keyboard and a mouse.





**F**ind the perfect position of comfort for your body height.

**A** device slot provides extra space for cell phones, pens, pencils, sticky notes, and more.



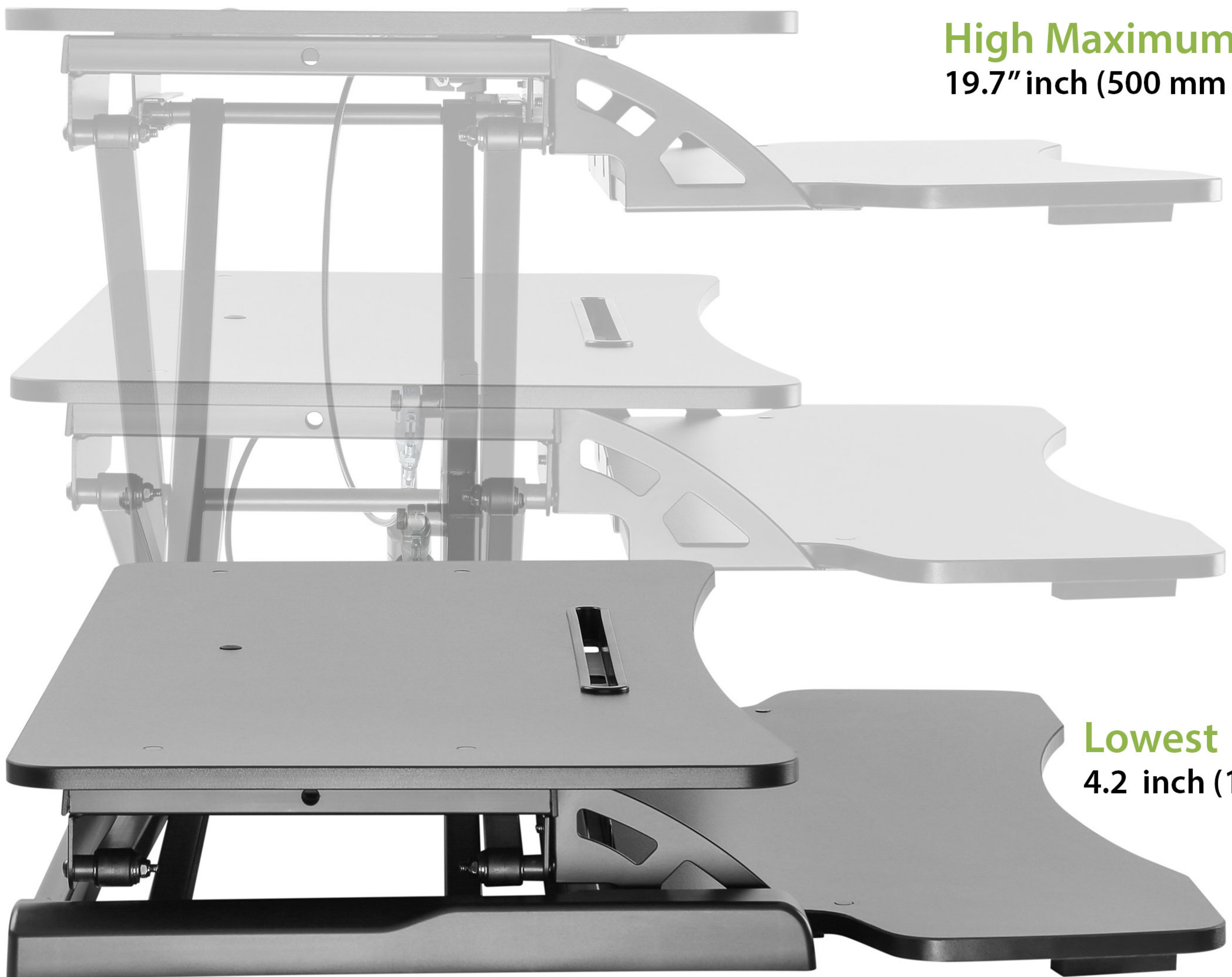
**T**he benefits of standing while working are numerous, including improved posture and increased circulation.



## EASY & QUICK TRANSITION



Go from sitting to standing in one easy smooth motion. **Spring lift mechanism** assists with the lifting motion, even with your computer and monitor on it.



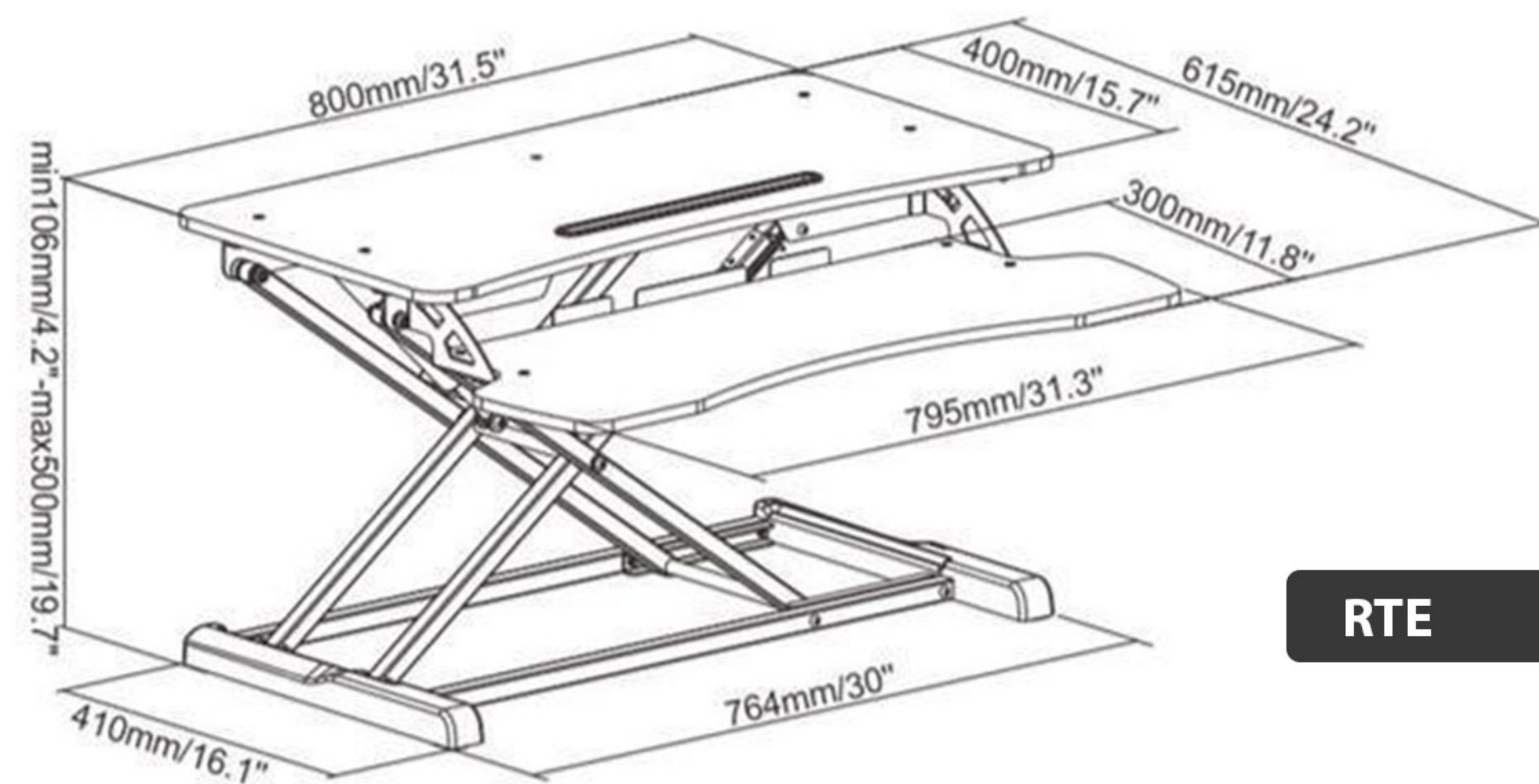
**High Maximum**  
19.7" inch (500 mm)

**Lowest**  
4.2 inch (106 mm)





**Particle Board & Melamine** worksurface to create an ergonomic worksurface to boost your working productivity



RTE

## Specification

1. **Material:** Particle Board & Melamine, Steel
2. **Tabletop Thickness:** 12mm (0.47")
3. **Color:** Black
4. **Dimensions overall:** 800X615X106~500mm (31.5"X24.2"X4.2"~19.7")
5. **Worksurface Size:** 800X615mm (31.5"X24.2")
6. **Height Adjustment:** Stepless, lock any level
7. **Height Range:** 394mm (15.5")
8. **Keyboard Weight Capacity Range:** 2kg (4.4lbs)
9. **Worksurface Weight Capacity Range:** 15kg (33lbs)

## Contact us



**India:** Rife Technologies, 362, Vardhaman Plaza - II, J Block Community Center, Rajouri Garden, Delhi - 110027, India  
E-mail: sales@rifeindia.com, Website: www.lcdtvstandsindia.com, www.rifeindia.com, Tel:+91-9899250704

**Hongkong:** Ergonomic Corporation Hongkong Limited, 1102, 11th floor, 33 hysen Avenue, Lee Garden one, Causeway Bay, Hongkong  
E-mail: sales@ergoshopping.com, Website: www.ergoshopping.com, Tel: 852-98226451