

Gas Spring

Height Adjustable Desk Converter



Description

RTE-Wooden

Enhance your work experience with a wooden Desk Riser. Transitioning between sitting and standing throughout the long workday provides numerous health benefits for the body such as increased blood flow and reduced aches and pains. This solidly built desktop supports up to 33 lbs, easily holding multiple monitors or laptops and monitor combinations. It also features a pneumatic spring lift that allows simple and smooth height adjustment (4.2" to 19.7") at the squeeze of a handle.



AMPLE OF SPACE

The top surface measures 31.5" x 15.7" providing plenty of space for single monitor, dual monitor, and laptop + monitor setups. The secondary surface has enough space to fit a keyboard and a mouse.

PHONE/TABLET HOLDER

Comes with a built-in phone stand. You can charge your iPhones, iPads, and Android smartphones, tablets, and e-readers.



HEIGHT ADJUSTABLE

Go from sitting to standing in one easy smooth motion. Spring lift mechanism assists with the lifting motion, even with your computer and monitor on it. The sit-stand desk goes from 4.2 inches (106 mm) lowest to 19.7" inch (500 mm) high maximum and can be stopped at any height in between lowest and highest



Squeeze the lever for height adjustment

Supports Good Health

The benefits of standing while working are numerous, including improved posture and increased circulation. This standing desk converter allows you to switch between sitting and standing with ease.



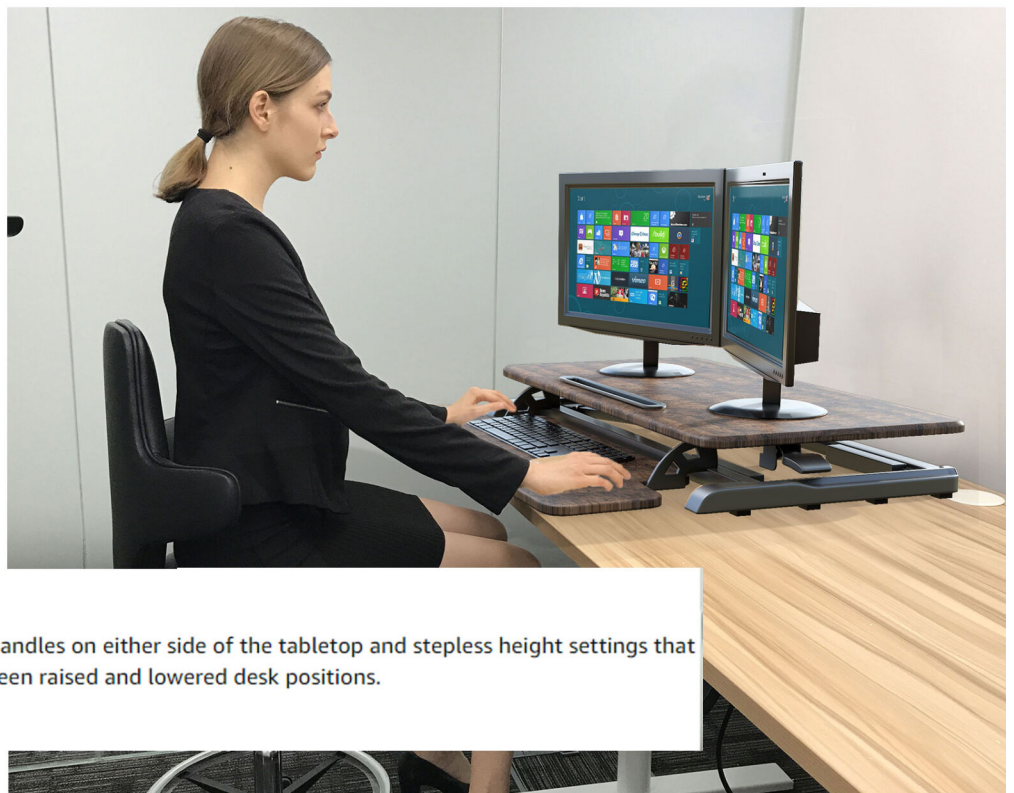
More Space for More Devices

Designed to accommodate your entire workstation, this sit stand desk features enough space to elevate one or even two computer monitors, with added room on the sturdy tabletop for extra items totalling up to 33 lbs.



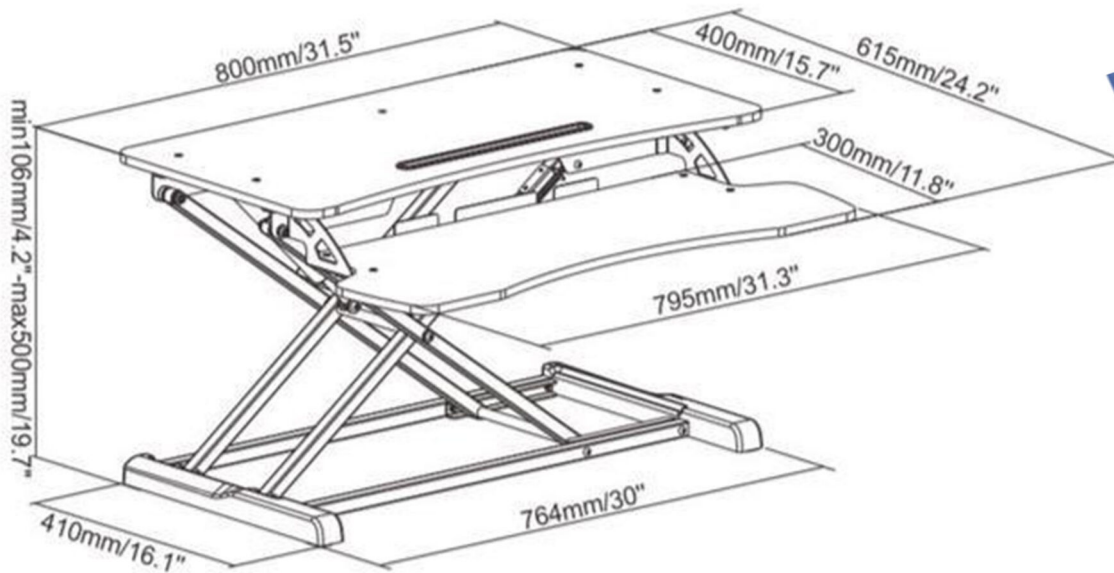
EASY AND QUICK TRANSITION

This stands up desk riser features squeeze handles on either side of the tabletop and stepless height settings that together lead to a seamless transition between raised and lowered desk positions.





- Dimensions overall: 800X615X106 ~ 500mm (31.5"X24.2"X4.2" ~ 19.7")
- Material: Particle Board & Melamine, Steel
- Tabletop Thickness: 12mm (0.47")
- Worksurface Size: 800X615mm (31.5"X24.2")
- Height Range: 394mm (15.5")
- Keyboard Weight Capacity Range: 2kg (4.4lbs)
- Worksurface Weight Capacity Range: 15kg (33lbs)
- Color: Wooden



Dimensions

www.rifeindia.com

Contact us



India: Rife Technologies, 362, Vardhaman Plaza - II, J Block Community Center, Rajouri Garden, Delhi - 110027, India
E-mail: sales@rifeindia.com, Website: www.lcdtvstandsindia.com, www.rifeindia.com, Tel: +91-9899250704

Hongkong: Ergonomic Corporation Hongkong Limited, 1102, 11th floor, 33 hysen Avenue, Lee Garden one, Causeway Bay, Hongkong
E-mail: sales@ergoshopping.com, Website: www.ergoshopping.com, Tel: 852-98226451