

RT114

FLEXISPOT

Electric Single Motor Desk



Options

With-Top

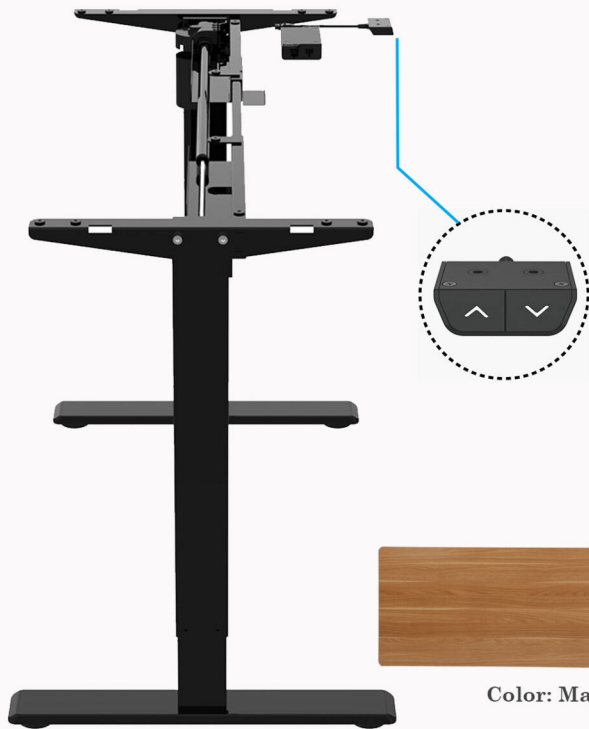
Without-Top

The Flexispot electric desk allows you to create your own desk space and find that much needed healthy balance of sitting and standing throughout the long work day. Poor posture puts unnecessary and unhealthy strain on your back and neck, but the electric desk frame elevates your workstation to an ergonomic height while encouraging healthy movement. Standing periodically throughout the day keeps the blood flowing and helps you stay awake and alert.



Black

2 Button Controller



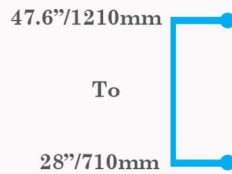
The Physical button control panel allows for a quiet, fast and seamless adjustment with the push of a button.

- No Memory Settings

Available Table-top's (Optional):

- 1. length 47.2"/1200 mm
width 23.6"/600 mm

Adjustable Height



Ensures a smooth and comfortable height adjustment experience so users both short and tall can find their ideal desk height whether sitting or standing.



Solid Support

All steel construction and a thick leg support system with a load capacity of 70 kg.



70 kg (154 lbs)

Load Capacity



Using a sit/stand desk helps to counteract the negative effects of a sedentary job. This premium height-adjustable desk includes all the features necessary to deliver the benefits you expect from a standing desk, such as enhanced focus and increased calorie burning.

The 47" x 23.6" desktop provides ample space for a variety of monitor and laptop setups, with extra room for ongoing projects and office supplies.





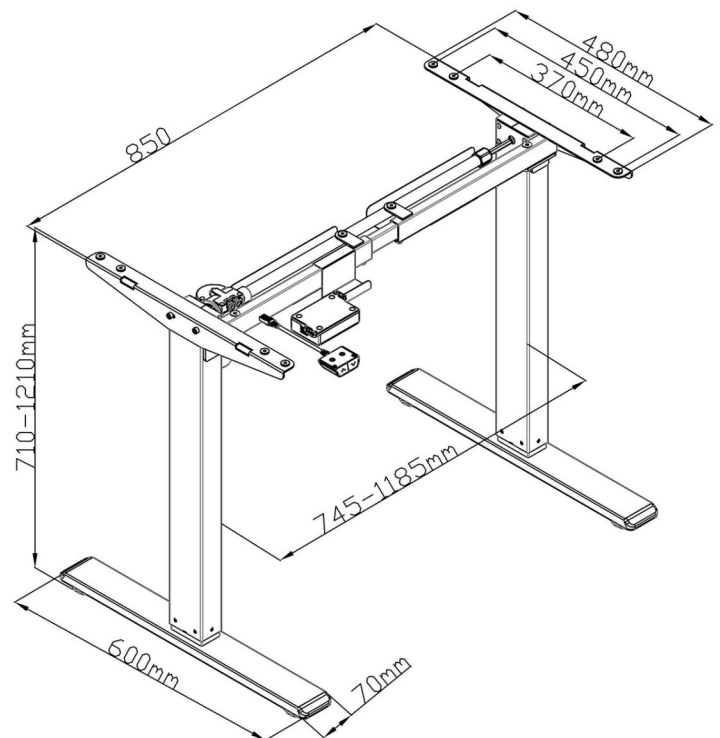
SMART DESIGN

The open design allows for optimal leg space. With a clean, universal aesthetic, the height adjustable desk is easily incorporated into any office or home environment

Features

- ▶ Powerful smooth single motor lift system with very sturdy steel. The strong legs use telescopic adjustment transitioning from sitting to standing in seconds with a simple touch.
- ▶ Superior stability & sturdy industrial-grade metal frame. This product meets the minimum requirements of CCC, EMC, LVD, GS, RoHS, FCC, CUL, RCM, C-TICK, SAA, KC, PSE.
- ▶ Height adjustable from 71 cm to 121 cm (28.0 inches to 47.6 inches without wooden top).
- ▶ All steel construction and a thick leg support system with a load capacity of 70 kg.
- ▶ The strong legs use telescopic adjustment transitioning from sitting to standing in seconds with simple touch of up and down buttons.
- ▶ Friendly tech support to help with any questions or concerns.

Dimensions



Contact us



India: Rife Technologies, 362, Vardhaman Plaza - II, J Block Community Center, Rajouri Garden, Delhi - 110027, India
E-mail: sales@rifeindia.com, Website: www.lcdtvstandsindia.com, www.rifeindia.com, Tel: +91-9899250704

Hongkong: Ergonomic Corporation Hongkong Limited, 1102, 11th floor, 33 hysen Avenue, Lee Garden one, Causeway Bay, Hongkong
E-mail: sales@ergoshopping.com, Website: www.ergoshopping.com, Tel: 852-98226451