

RPCH2S



Heavy Duty Dual Monitor Arm

Dual Monitor Heavy Duty Aluminum Desk Stand

Position your computer display right where you want it with this heavy-duty dual monitor stand. The arm easily adjusts as needed to ensure comfortable viewing of your monitor, which can help reduce shoulder, neck, and eye strain. By raising a monitor up off the desktop, also reduces unnecessary clutter and increases valuable surface space. provides improved ergonomics and space-saving convenience-its arm sections can even be removed to adapt to tight spaces.

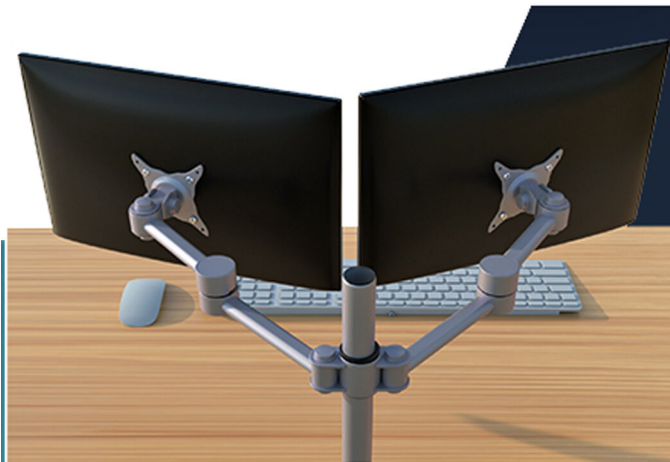
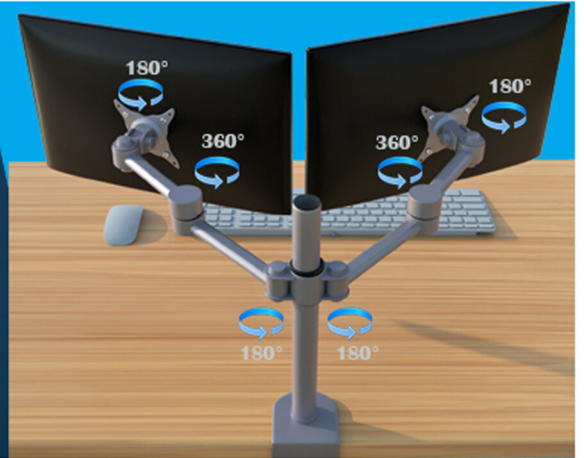
Specifications:-

- Fit Screen up to: 29 Inch
- VESA: 75 x 75mm or 100 x 100mm
- Compatible with: 3.93" thick desk
- Tilt: +45°/-45°
- Swivel: +90°/-90°
- Rotate: 360°
- Weight Capacity: 15 kgs per arm
- Color: Silver



Ergonomics Articulations

Dual arms are height adjustable on pole. Each vertical arm can articulate in three different places for better positioning of the screens.



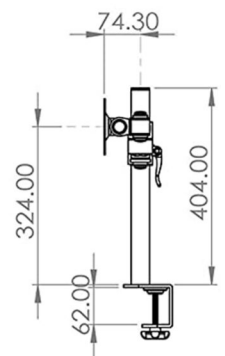
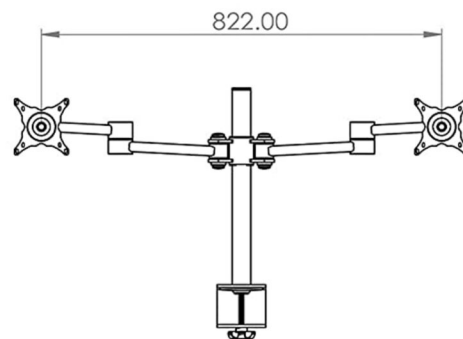
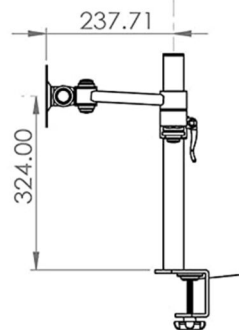
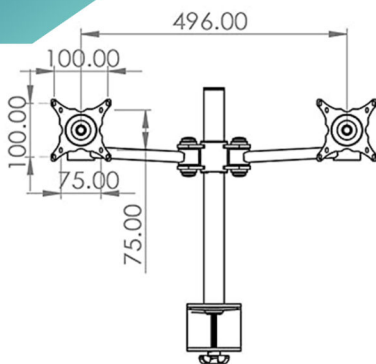
Sturdy Construction

The high-grade material gas spring arm can be extended and retracted

allows you to work in a healthy posture by adjusting the monitor to an optimal distance and height

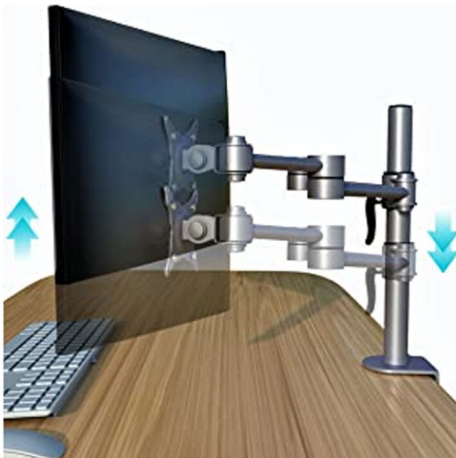
Double efficiency and productivity by opening up desk space allowing a new range of adaptable positions for your displays, ergonomically correct position to reduce neck and eye strain.

Dimensions





Key Features



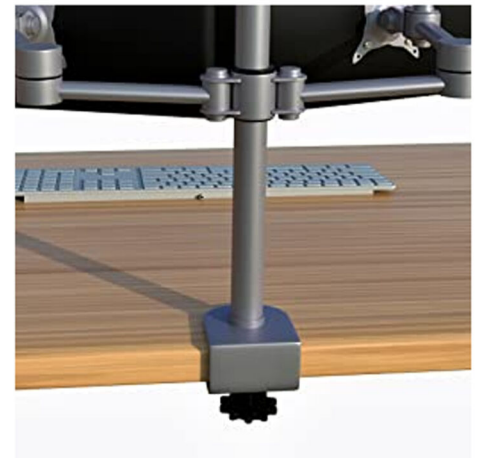
Height Adjustable

The horizontal arm of the monitor stand can be raised or lowered along with the vertical stand post. The arm can be positioned 12.7" high (highest setting). Adjust the height of the arm as desired for optimal viewing.



Provide Ample Space

For a sleek and clean look, the monitor mount includes an integrated cable management system. Detachable cable clips along both arms and the center post keep unruly cables perfectly contained and out of the way.



C-Clamp Base

Double efficiency and productivity by opening up desk space allowing a new range of adaptable positions for your displays, ergonomically correct position to reduce neck and eye strain.

Contact us



India: Rife Technologies, 362, Vardhaman Plaza - II, J Block Community Center, Rajouri Garden, Delhi - 110027, India
E-mail: sales@rifeindia.com, Website: www.lcdtstandindia.com, www.rifeindia.com, Tel: +91-9899250704

Hongkong: Ergonomic Corporation Hongkong Limited, 1102, 11th floor, 33 hysen Avenue, Lee Garden one, Causeway Bay, Hongkong
E-mail: sales@ergoshopping.com, Website: www.ergoshopping.com, Tel: 852-98226451