

# RIFE

## Pneumatic Height Adjustable Sit-Stand Mobile Cart

### Instruction Manual

### 安裝手冊

RLPT9

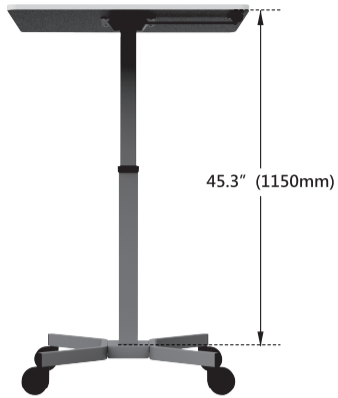


### Features and Specification

#### 功能特性



Min height  
最底高度



Max height  
可升最高高度



Lift capacity weight: 4.5kgs (10 lbs)  
升降中可承載之重量

⚠ Over 4.5kgs of weight is added to the desk, more manual force will be needed to raise the desk.

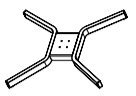
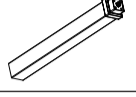

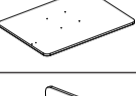
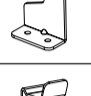

Width: 27.7" (703mm)  
Height: 30" to 45.3" (703mm~1150mm)  
Depth: 19.7" (500mm)  
Speed: Excellent  
Lift capacity Weight: 4.5kgs (10 lbs)  
Adjustable range: 360°



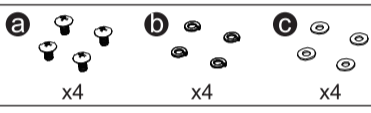
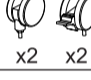




### Supplied Parts and Hardwares

#### 包裝內部品及五金件

- Make sure that the package contains the following parts.  
包裝內包含下列零件。

Parts 零件	Model 型號	
1	Based	
2	Pole	
3	Bracket control lever	
4	Work surface	
5	Fixing piece	
6	Hook	

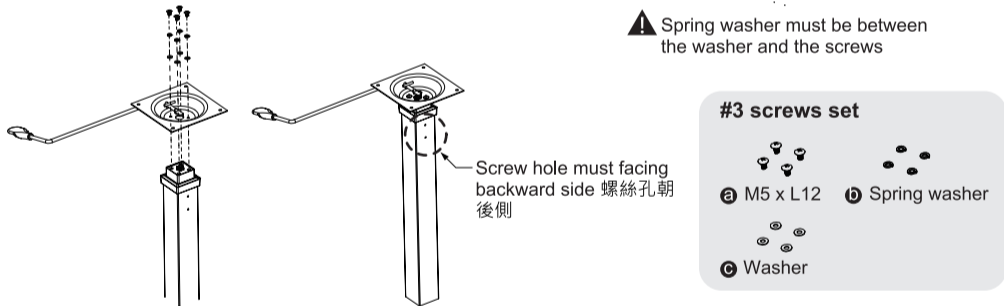
Screw 螺絲		數量
1	M4 x L25	 x4
2	M4 x L8	 x2
3	a M5 x L12 b Spring washer c Washer	 x4      x4      x4
4	2 with locking casters and 2 w/o locking caster	 x2  x2
5	M4 x L6	 x2

⚠ Warning: Chocking Hazard  
Components: Children under 5 years required adult supervision.

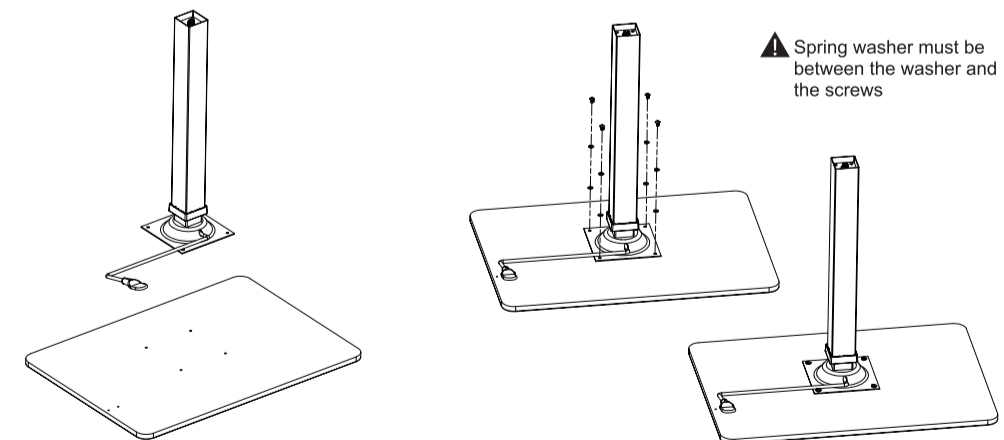
## 1 Installation guide

### 安裝說明

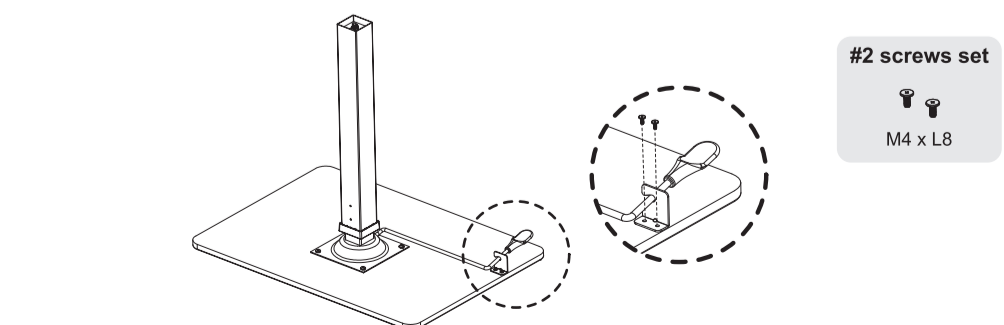
1. Mount the bracket control lever to the lifting structure using the first pack of #3 screws set. 取#3螺絲包，將桌盤鎖附於伸降結構上。



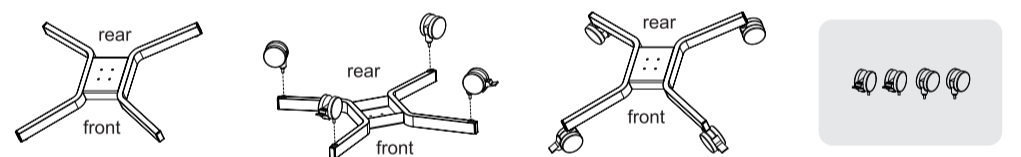
2. Please place the work surface upside down to protect surface. Attach the pole on the hole of the surface. 取桌板，依下圖示將步驟一放桌板相對螺絲孔位上。
3. Mount the pole to the work surface using the second pack of #3 screws set. 取#3螺絲包，將桌盤伸降結構鎖附於桌板上。



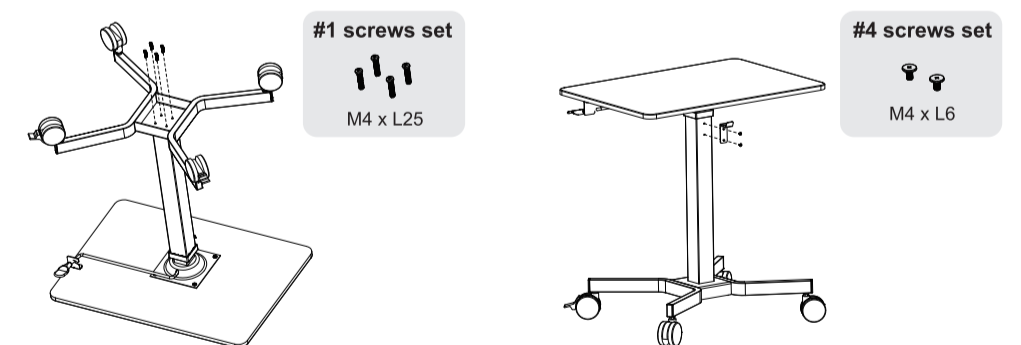
4. Take out fixing piece and put the squeeze handle into the fixing piece then secure them with the 2pcs M4 screws from #2 screws set into the backward of work surface. 取一片把手固定片，並將把手固定片勾入把手後，再取#2螺絲包中2pcs M4 screw 鎖附於桌板上。



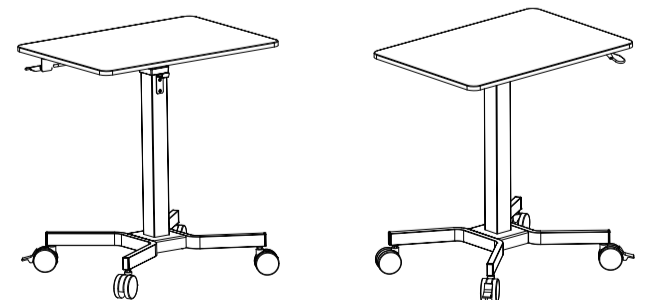
5. Mount 2pcs casters to the rear of the base and mount the locking casters to the front of the base. (mount those casters with hand or wrench clipart spanners) 取4pcse腳輪，並依序將腳輪鎖入底座上。



6. Using the #1 screws set to secure the base and the pole. 取出#1號螺絲包固定底座和可拆卸的手柄。取4pcse腳輪，並依序將腳輪鎖入底座上。
7. Usig the #4 screws set to secure the hook on the pole. 使用2個螺絲將掛鉤固定在伸降結構後方。



- Mobile cart is ready to use. 完成。



## Warning Notes

### 注意事項

Make sure you understand the user manual before you start the installation. Check carefully and make sure there are no missing or defective parts. Improper installation may cause damage or serious injury. Do not use this product for any purpose that is over spec. The manufacturer is not liable for damage or injury caused by improper mounting, incorrect assembly or inappropriate use.