

Economy Charge Cart Owner's Manual



Before using, please read these operating instructions carefully.

They contain important advice concerning the use and safety of your EC30 Economy Charge Cart. The EC30 Economy Charge Cart must only be used for its intended purpose in accordance with these operating instructions.



Any misuse of the product will void the warranty.

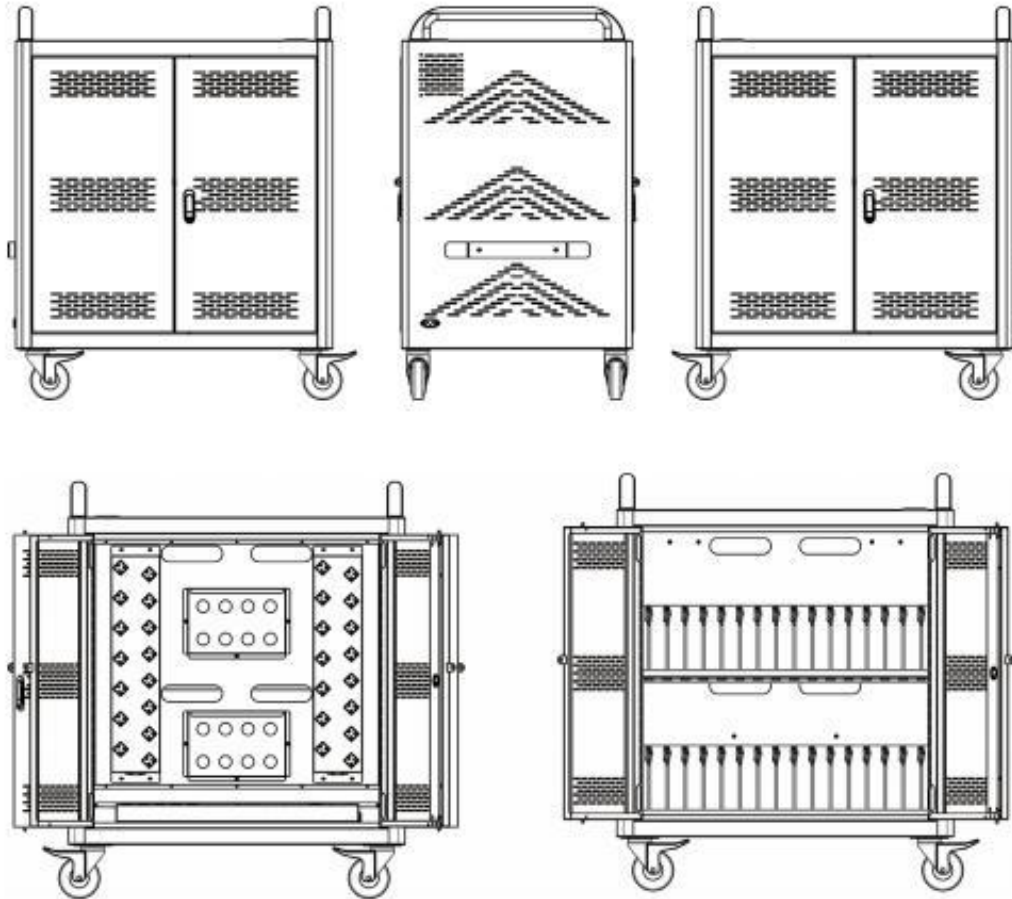
Contents

 Product Specifications	2
 Before You Start	3
 Introduction	4
 Overview	5
 Cable Management / Charging	7





Product Specifications



Model Name	EC30	Charging Type	AC Charge
Capacity	30 Devices	LED indicator	Green / LED Power On
Support Device	Chromebook / Laptop / Tablet	Divider Type	Plastic Dividers
Slot Size	12.8" x 16.7" x 1.4"	N.W. / G.W.	187.3lbs / 153.5lbs
Dim. with Packing	35.4" x 41.3" x 27.6"		



Read All Instructions Prior to Using The Charging Cart (CC)

This product must only be used for its intended purpose in accordance with these operating instructions. Failure to observe the following notices can result in fire, injury, death by electric shock or equipment damage.

Always turn **OFF** the power to the product before plugging **IN** or **OUT**.

Do not unplug by pulling on the cable.

Do not unplug the power cord from the outlet when your hands are wet.

Do not use cables that are damaged.

Do not place objects over the power cable.

Do not plug the cable into an extension cord.

Keep the door closed and locked when in use.

Keep the cart away from water.

Do not place the cart close to flammable liquids or gases.

This product is designed to be used indoors only.

Adult operation and supervision is needed at all times.

Do not allow anyone to sit, stand or climb on the product.

Do not place heavy objects on top of the cart.

Keep the casters locked when cart is not in transit.

Do not block the ventilation holes.



Introduction

Package Contents



Economy Charge Cart x 1



Power Cord x1



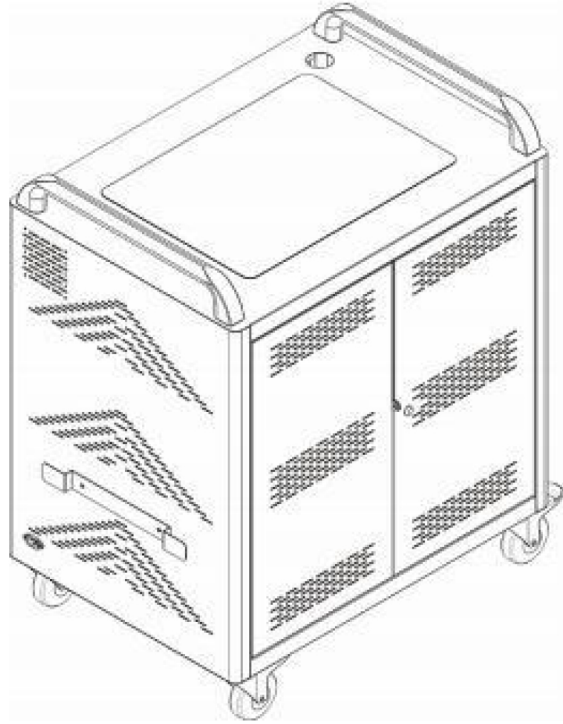
Cable Clips x 14



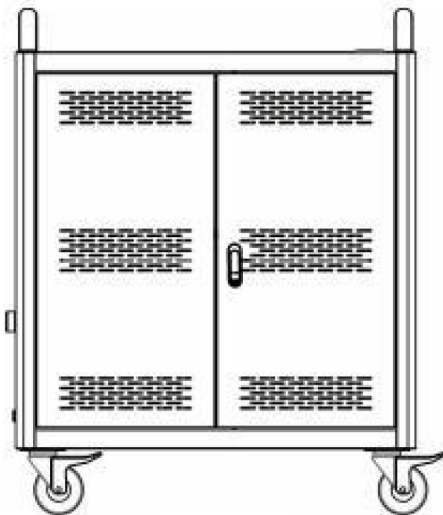
User Manual x 1



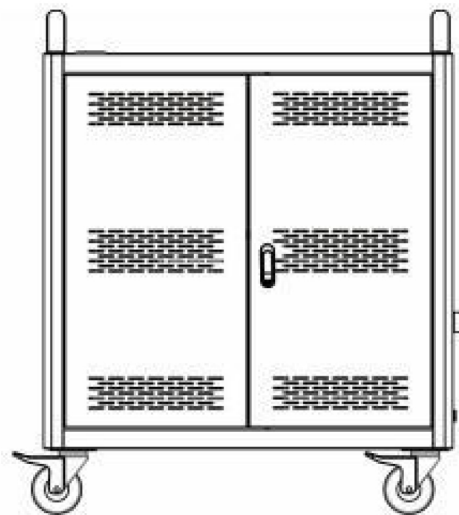
Overview



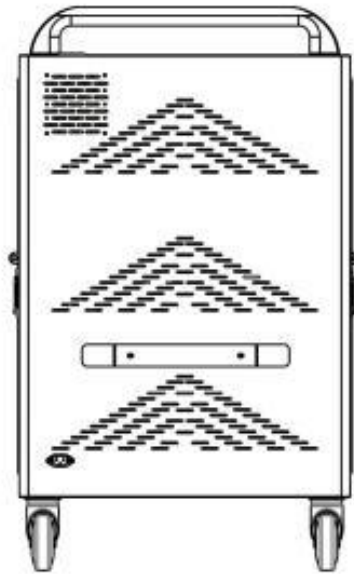
Front



Back

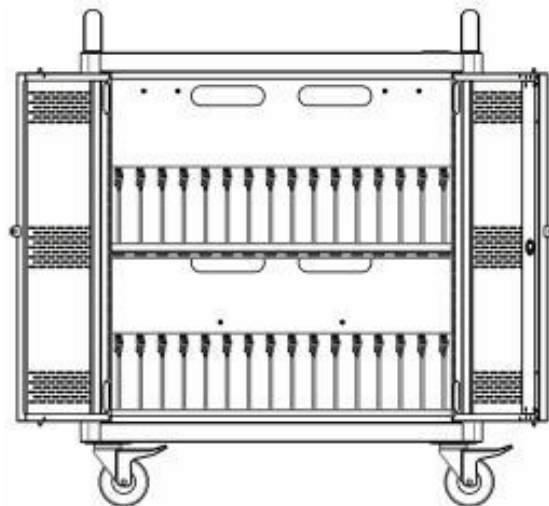


Side



Inside Front

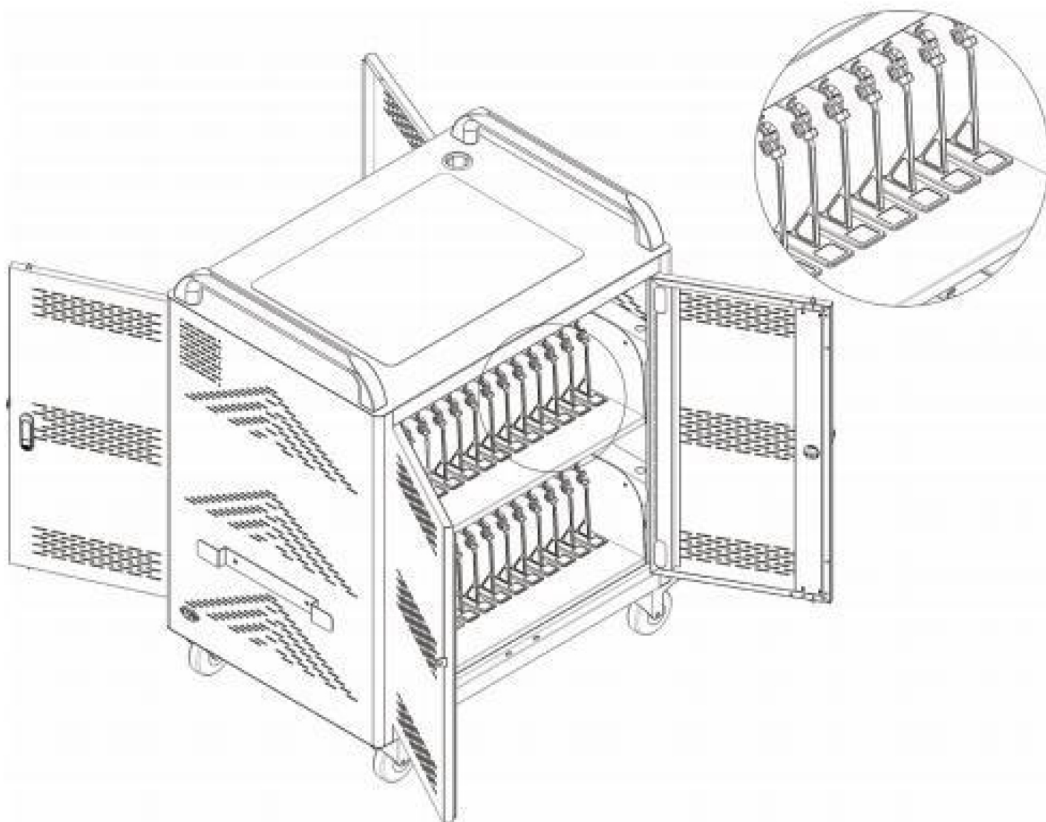
Each bay holds up to a 15.6" device
Dimensions of each bay are:
12.8" x 16.7" x 1.4"
(30 bays/fixed drawers)



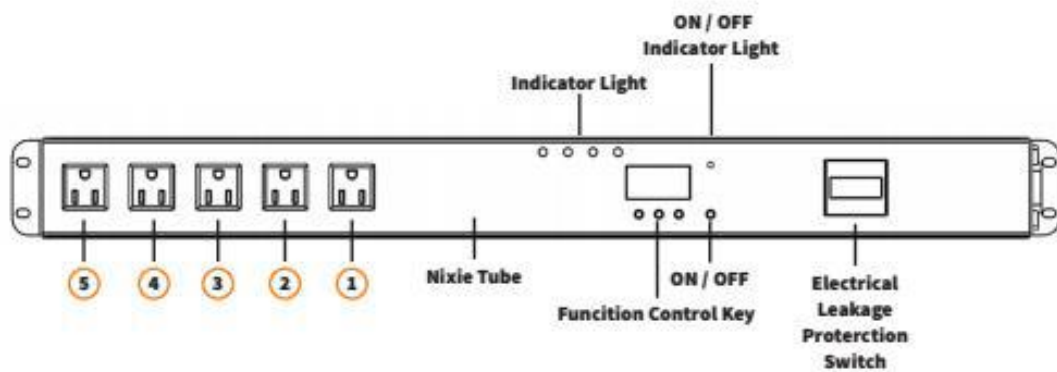


Cable Management / Charging

Cable clips for cable management



Charging Timer



Function introduction

Five sockets (① ② ③ ④ ⑤)

⑤ Constant power supply outlet, not been effected by different modes.

① ② ③ ④ Four sockets are corresponding to indicator light from right to left. when the indicators all on, means the socket(① ② ③ ④) on working situation.

ON/OFF key light is above the ON/OFF Key.

Keys from left to right is “▲”, “▼”, set function control key.

Charging Timer Continued

Off Power Status

Press ON/OFF key, when the ON/OFF indicator light is off , press “set” to entry “Mode Select” status. Press “▲” enter in “Mode Select” status to on (timer) mode, Press “▼” to “cyc (cycle) mode”.

In **On Mode**, press SET to “entry timer (minutes) set”, here the screen will display digital flashes, “▲” will be “minutes +”, “▼” will be “minutes -”, Setting range will be 000-999, The minutes range of 000-999 stands for 1 min to 1000 mins. Press set again to exit setting status, here the screen will display current timer time, on mode works, all the four light will be on.

In **cyc mode**, press “set” to entry “cycle-digit selected status”, Here the screen will display digital flashes, press “▲” or “▼” to select cycle-digit as you want (for example 1~ 4 socket), when you select 3, Socket ① ② ③ will be in cycle charging status. After you select “cycle-digit” , then press “set” to “select time (minutes)” what you want to cycle on each socket, press “+” or “-” to set cycle interval time, Setting range will be 00-99, press set again to exit setting status. Default cycle charging time will be 15 minutes. 00-99 stands for 1-100 minutes cycle interval time.

