

Universal Mobile TV Floor Stand



PORTABLE TV FLOOR STAND

For Flat Panel LED LCD Plasma Screen Mount fits 13" to 55" Screens

Floor Stand TV mount is a great solution when you need a portable version of a TV stand. It also contains a height-adjustable glass AV shelf that can hold up to 5 kg weight. The wide, heavy steel base safely supports any TV from 13" to 55" inches. Perfect for showrooms, tradeshow, conferences use, etc.

- TILTING TV BRACKET
- INTEGRATED CABLE MANAGEMENT
- VESA ADAPTERS
- ADJUSTABLE AV SHELF
- STURDY STEEL BASE



HEAVY STEEL BASE

The wide, heavy steel base safely holds TV sizes from 13" to 55". The solid steel 15.7" x 19.6" providing optimal balance for your TV and AV equipment. 66 lbs weighted base keeps the entire assembly stable.

- BASE SIZE: 15.7" D x 19.6" W
- BASE WEIGHT: 66 lbs



COMPATIBILITY

This stand also fits most computer monitor screens with VESA mounting capability.

- VESA: 75x75, 100x100, 200x100, 200x200, 300x300, 400x200, and 400x400
- SCREEN SIZES: 13" to 55" inches

AV COMPONENT SHELF

Height adjustable shelf supports DVD players, DVRs, HD recorders, Cable TV Boxes, AV components, gaming systems or camera for videoconferencing.

- SHELF CAPACITY: 11 lbs
- SHELF SIZE: 10" D x 14" W



ARTICULATION

The mounting bracket can be tilted provide the optical viewing angle and make your view comfortable according your need.

- COMFORTABLE VIEWING EXPERIENCE
- TILT from -20 to 20 degrees



Space Saver

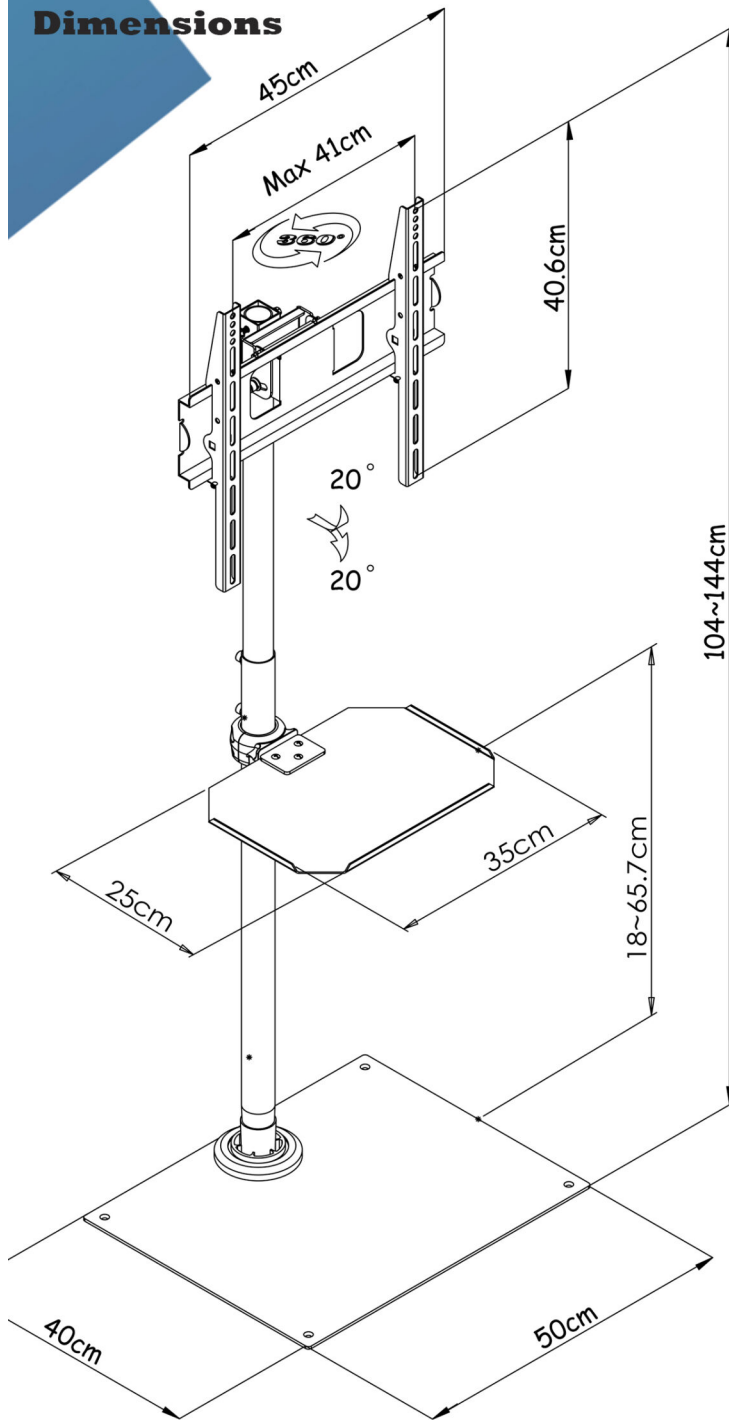
This corner TV stand opens up your space in the bedroom, living room, in a rental, in an apartment, in a meeting, etc. And you can easily keep the wires and cables clean and organized on the back of the pole.



CABLE MANAGEMENT

Our floor stand comes with an efficient cable management system that keeps your power and AV cables clean and organized. The clips cable route through the center pole keep everything nice and tidy.

Dimensions



SLEEK AND DURABLE

- **Sturdy Steel Structure** The sturdy sleek frame features the strength to hold screens as large as 55" and weighing as much as 66 pounds. The solid steel 15" x 20" base weighs a hefty 25 pounds, providing optimal balance for your TV and AV equipment. Flexible VESA Mounting Durable mounting system keeps your flat screen secure. The adjustable VESA mounting bracket will fit most TV sizes 32" to 55" and is compatible with VESA 75x75, 100x100, 200x100, 200x200, 300x300, 400x200, and 400x400.
- **Boasts a solid all-steel construction** with 40.9" to 56.6" height to center. This elegant yet heavy-duty TV mount is perfect for showrooms, offices, home entertainment, and more.
- **Rubber non-slip grip pads** are included for the bottom side of the base. The 13.7" x 9.8" middle metal shelf holds up to 5 kgs and features simple height adjustment allowing the user to set the shelf to the desired height.

Contact us



India: Rife Technologies, 362, Vardhaman Plaza - II, J Block Community Center, Rajouri Garden, Delhi - 110027, India
E-mail: sales@rifeindia.com, Website: www.lcdtvstandsindia.com, www.rifeindia.com, Tel: +91-9899250704

Hongkong: Ergonomic Corporation Hongkong Limited, 1102, 11th floor, 33 hysen Avenue, Lee Garden one, Causeway Bay, Hongkong
E-mail: sales@ergoshopping.com, Website: www.ergoshopping.com, Tel: 852-98226451