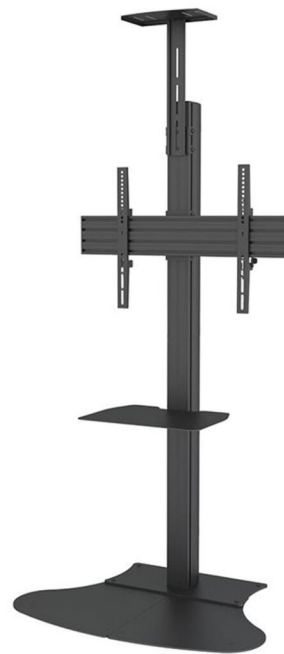




The Tv stand possibility makes this unit optimal for Videoconferencing and more detailed presentation.

Mainly made out of a light weight aluminum construction it is both heavy duty and will support most ideas and environments it is placed in.



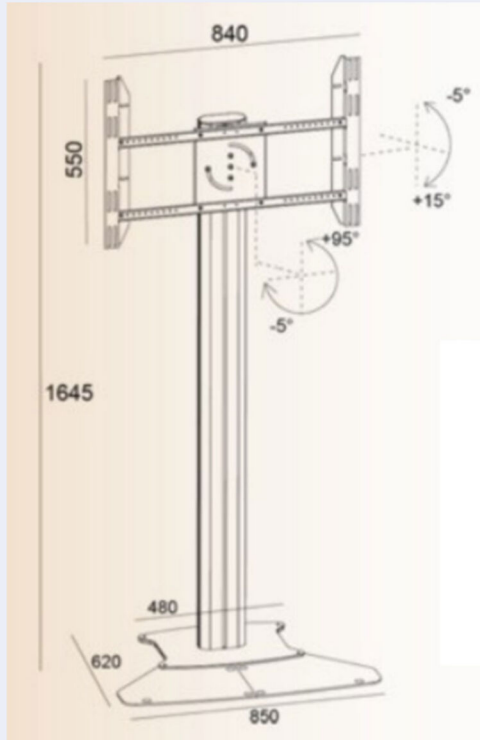
TV Stand Flat Base



The Floorstand Base is Configurable to meet different needs and situations

# TV STAND FLAT BASE (WITHOUT WHEELS)

## Dimensions



## Description

TV Stand flat base or flat panel display stand with floor mouting or floor LCD Tv stand this stand is for public places, home and office purpose of digital signage , this flat panel displays stand comes with optional DVD racks.

The Product exchanges the standard wheelbase included and can then creates a non movable base for the TV Stand. This is deal if the TV Stand should not be moved out of its positions.

The TV Floorstand Base is configurable to meet different needs and situation. For public use its footprint can be minimized and then mounted to the floor. This is highly suitable in public areas where safety is of highest.

TV stand 180 Dual is one of the most flexible and multifunctional display stand of its kind. The tv stand possibility makes this unit optimal for videoconferencing and more detailed presentations. Tv Stand has a versatile usage are. Mainly made out of a light weight aluminum construction it is both heavy duty and will support most ideal and environments it is placed in. The tv Stand can be used with screen in a standard landscape mode or a portrait mode. As a stable and sophisticated display stand base. This make it a perfect partner for use in public environments such as conference rooms, class rooms or hospitals.

## Specifications

- Suggest size: 30-65"
- Adjustable Tilt +12°/-5°
- Loading Capacity : 45 kgs
- Height: 1645mm
- Material : Alu. Casting
- VESA Standard Max. 600(L)\*400(W)mm
- Color silver/black
- Features: Cable management, Screen tilt & height adjustable
- Shelf : DVD shelf, Camera Holder

