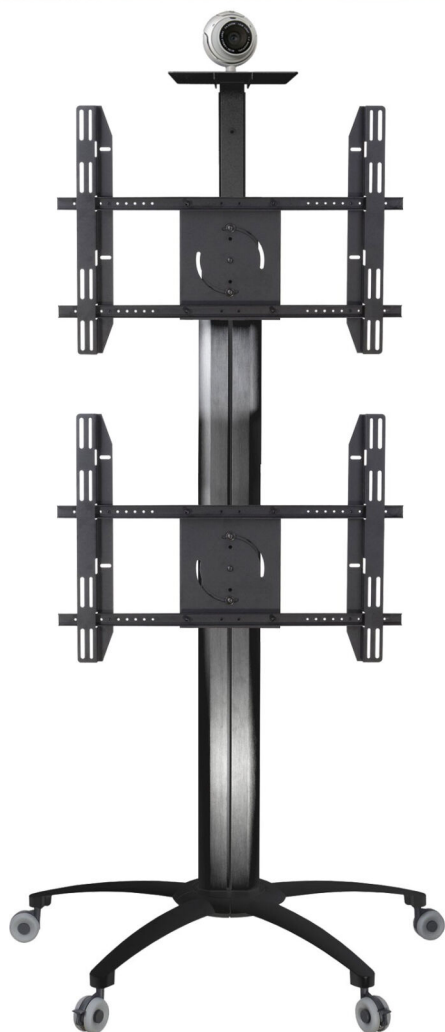




## Dual LCD TV Floor Stand



TV Stand 180 Dual is one of the most flexible and multifunctional display stand of its kind. The Dual tv stand possibility makes this unit optimal for videoconferencing and more detailed presentations where a dual screen scenario might be needed. tv Stand has a versatile usage area. Mainly made out of a light weight aluminum construction it is both heavy duty and will support most ideas and environments it is placed in. The tv Stand can be used with screens in a standard landscape mode or a portrait mode. As a stable and sophisticated display stand base with wheels are included as standard. This means the series is very easy to move around. This makes it a perfect partner for use in public environments such as conference rooms, class rooms or hospitals.



You can snugly adjust the height of the TV Mount and Select the healthiest and most ergonomic height that best suits your needs.

The TV Stand can be used with screens in a standard **landscape** mode or a **portrait** mode.



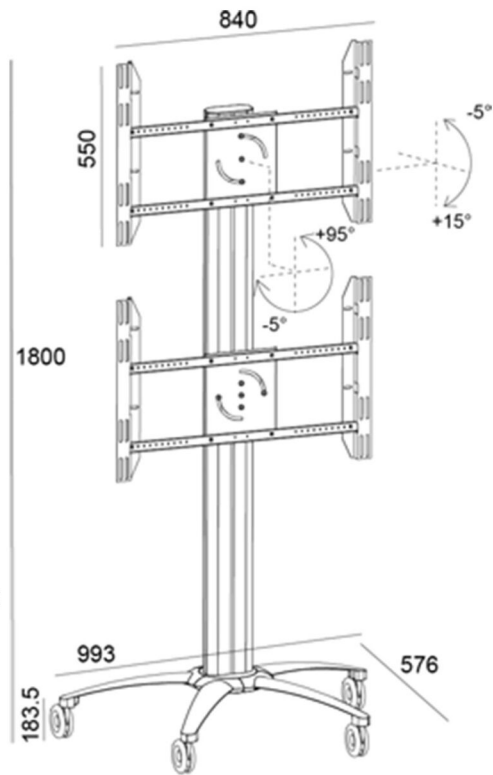
Each monitor can tilt up **20 degrees** or down **20 degrees**. You don't need to bend yourself at your workstation anymore, effectively reducing the pain on your neck and back and making you productive.





## Features

1. Suggest size: 30-60" Dual Screens.
2. Adjustable Tilt: 20 degree
3. Loading Capacity 100 kgs
4. Rotation: +/- 360°
5. Material : Alu. Casting+metal
6. Height: 1800mm
7. Color: silver/black
8. VESA Standard: Max. 800(L)x400(W)mm
9. Optional Parts: Camera Holder, Codec or DVD shelf, CPU holder or Mediabox



**This makes it a perfect partner for use in public environments such as conference rooms, class rooms or hospitals.**

## Contact us