

MONITOR ARM FOR SINGLE MONITOR (RCPRM-SS)



Cup-Shaped design, it's easy to tilt, swivel and rotate the monitor.

Keep your power and AV cables clean and organized.





35mm

Height can be adjusted on 35mm pole in every millimeter for best viewing angle.



Wide selection for different monitor quantity to meet most applications.



Ultra heavy duty "C" clamp integrated double locks can fix the mount on the desk stably.



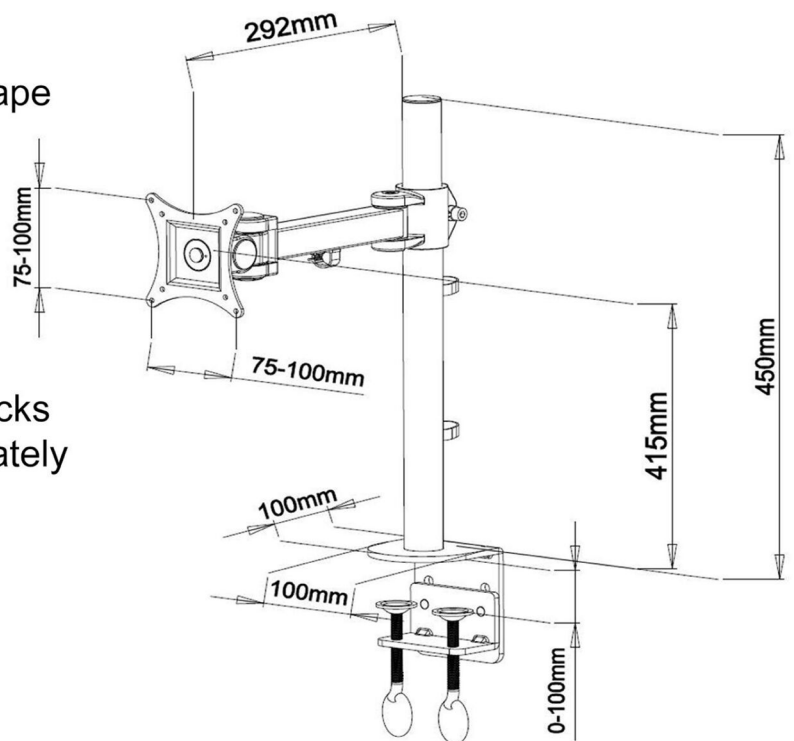
Optional "3 in 1" mounting kits.

1. C-clamp installation.
2. Existing grommet hole installation.
3. Self-drilled grommet hole installation.

Specification

- Max VESA: 100 x 100
- Monitor Size: 13"-27"
- Capacity: 10 kg / 22 lbs
- Monitor Shape: Portrait & Landscape
- Tilt : -90 ~ +90 degree
- Swing: 360 degree
- Rotate: 360 degree
- Pole Diameter: 35 mm
- Arm Span: 292 mm
- Pole Height: 450 mm
- Clamp Type: C-clamp with dual locks
- Grommet Install: Order kits separately
- Wire Management: Included
- Hardware: Included
- English Manual: Included
- Material: Steel & Aluminum
- Unit Weight: 3.5 kg
- Finish: Powder Coating
- Color: Black

Dimensions



Contact us



India: Rife technologies, 362, Vardhamn Plaza - II J Block Community Center. Rajouri Garden, Delhi - 110027
 E-mail: sales@rifeindia.com | Website: www.lcdtstandindia.com, www.rifeindia.com, www.ergodesks.in
 Tel: +91-9899250704

Hongkong: Ergonomic Corporation Hongkong Limited, 1102, 11th floor, 33 hysen Avenue, Lee Garden one Causeway Bay, Hongkong
 E-mail: sales@ergoshopping.com | Website: www.ergoshopping.com | Tel: 852-98226451