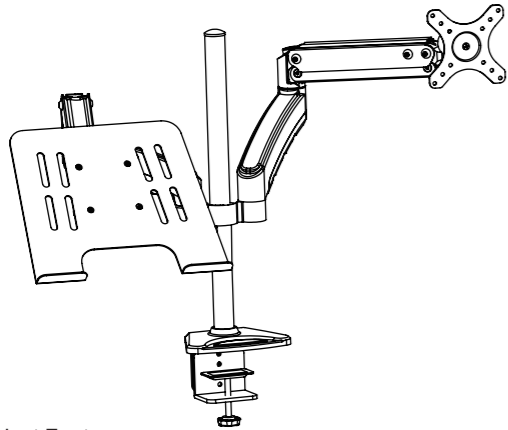




HDMG003-2A

Double monitor Full Motion Desk Mount



1.Product Features

Model: HDMG003-2A; Product weight:7kg;TV size support:12-27"; Maximum load:5kg; For VESA standard:50x50mm 75x75mm 100x100mm;

2.Hardware List

Important: We are not responsible for any personal injury or product damage due to mishandling, incorrect mounting, incorrect assembly or incorrect use of this product.

Note: The supplied wall mounting hardware is not for use on steel stud walls or cold cinder block walls. If you are uncertain what material your wall is constructed of or any question regarding the proper installation of this wall mount, contact a qualified contractor. If the hardware required is not including, please contact your local hardware store.

Caution: This LCD/Plasma wall mount is intended for use with television that does not exceed the maximum weight capacity designated. Using this mount with products heavier than the maximum weight indicated may result in instability causing possible injury.

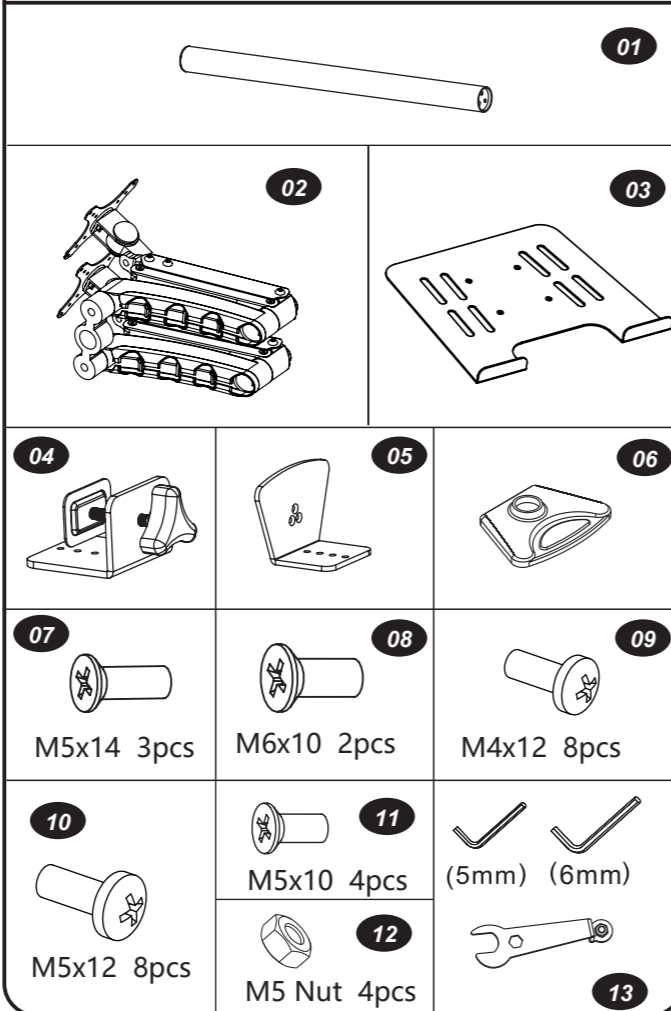
Symbols

	Tightening Direction		+ :Torque increased - :Torque reduced
	拧紧方向		+ 定点恒力加大 - 定点恒力减小
	loosening Direction		+ :Torque increased - :Torque reduced
	拧松方向		+ 定点恒力加大 - 定点恒力减小
	Phillips Screwdriver		By Hand
	螺丝起子		手工
	Open-End Wrench		Hex Wrench
	开口扳手		六角扳手
	Adjustment		Pencil
	调整		铅笔
OPT	Optional		Hand Drill
	可选		手电钻
	Remove		Star Wrench
	移开		安全扳手

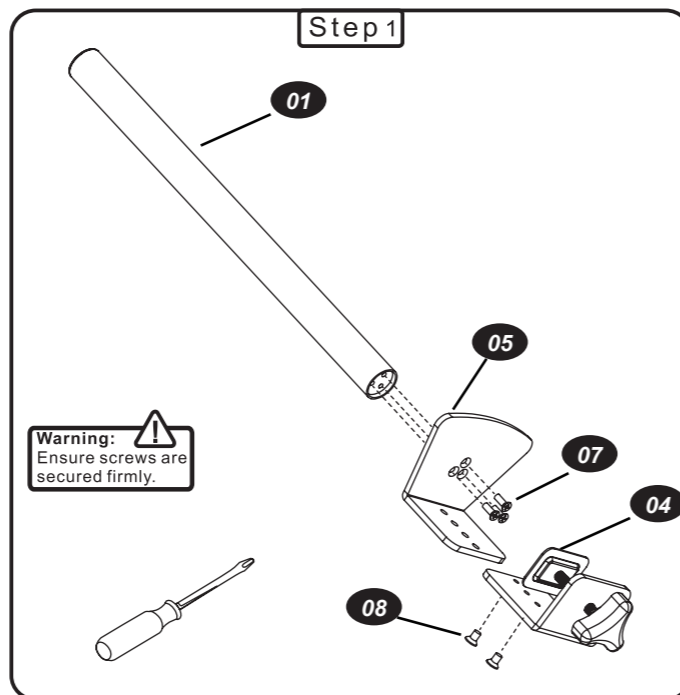
Installation Manual

Install mount at table edge

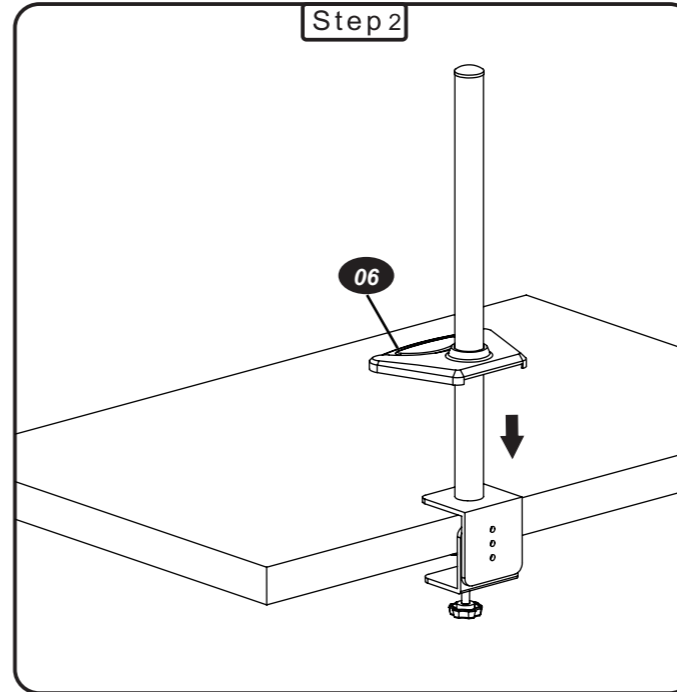
Part list



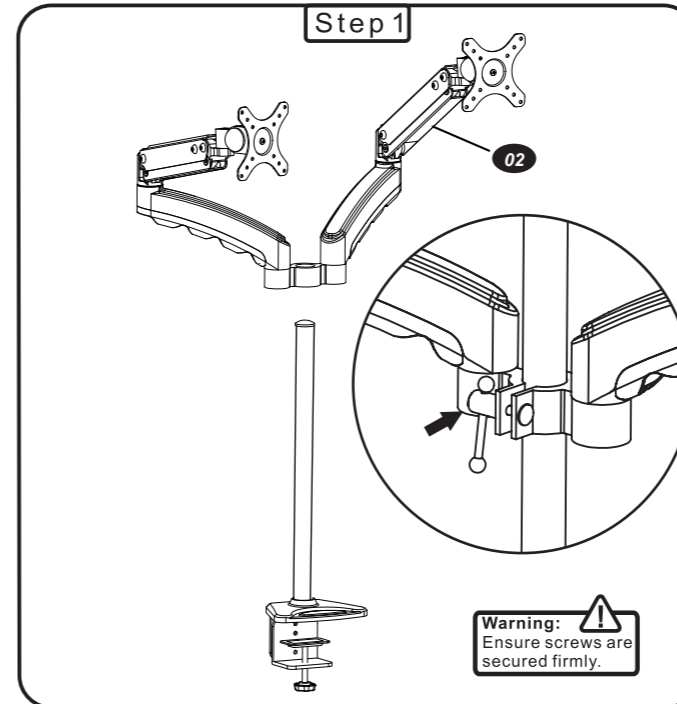
A: Column installation:



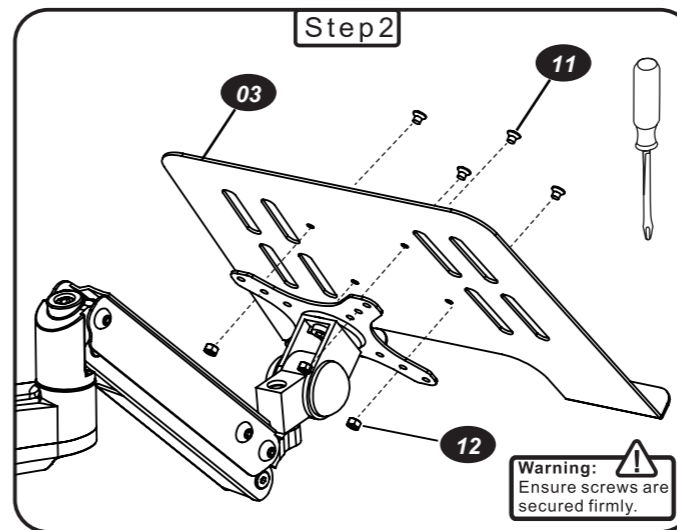
Warning: Ensure screws are secured firmly.



B: Arm installation:

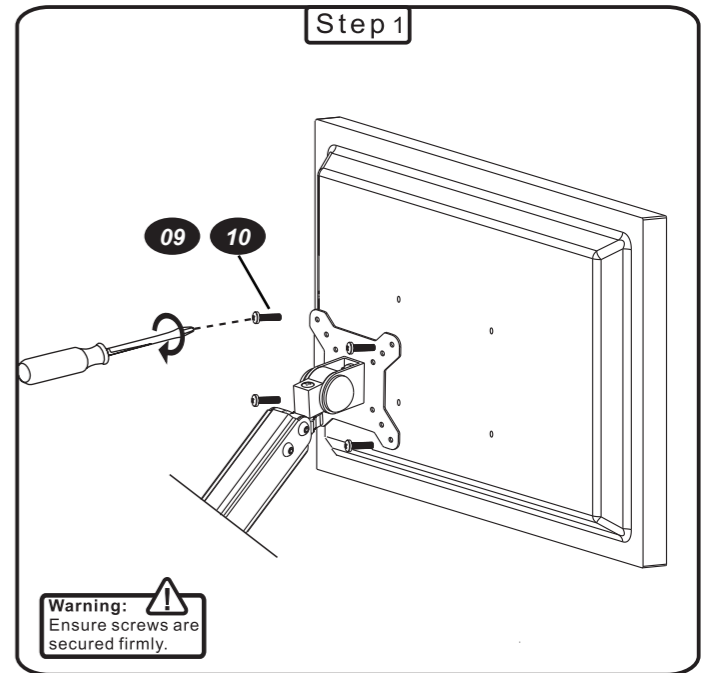


Warning: Ensure screws are secured firmly.



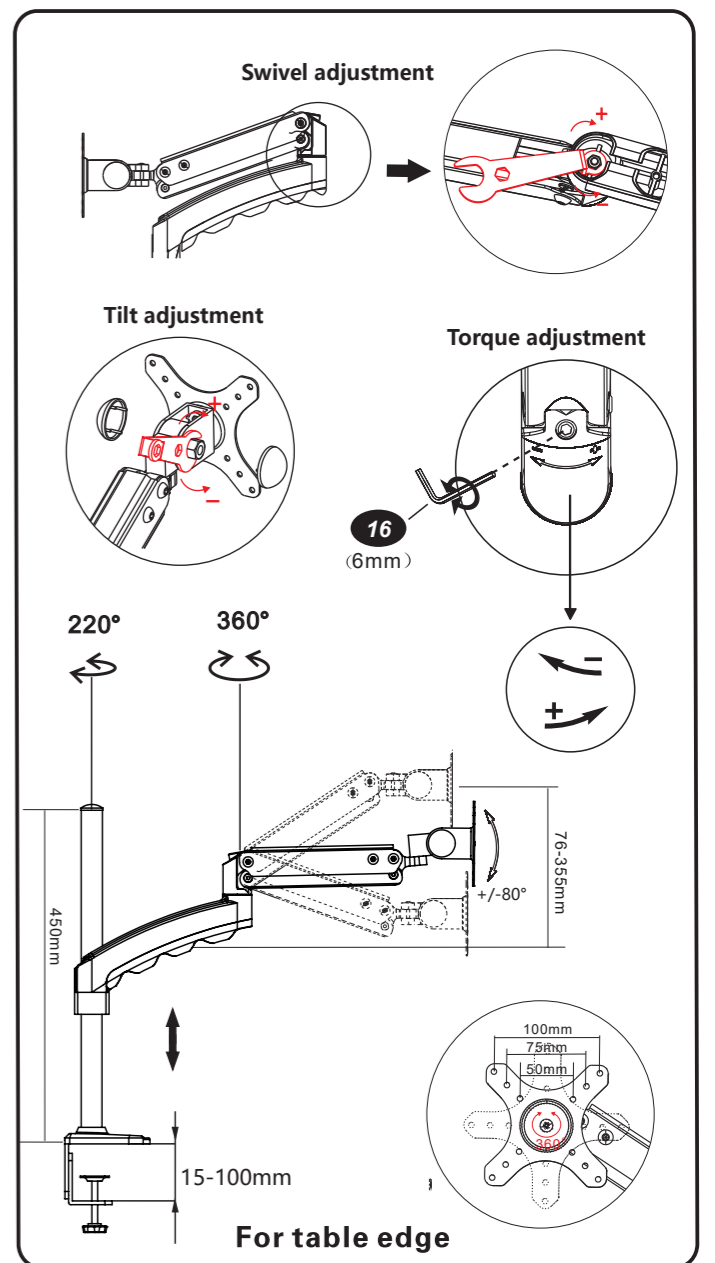
Warning: Ensure screws are secured firmly.

B: Monitor installation:



Warning: Ensure screws are secured firmly.

Adjustable:



For table edge