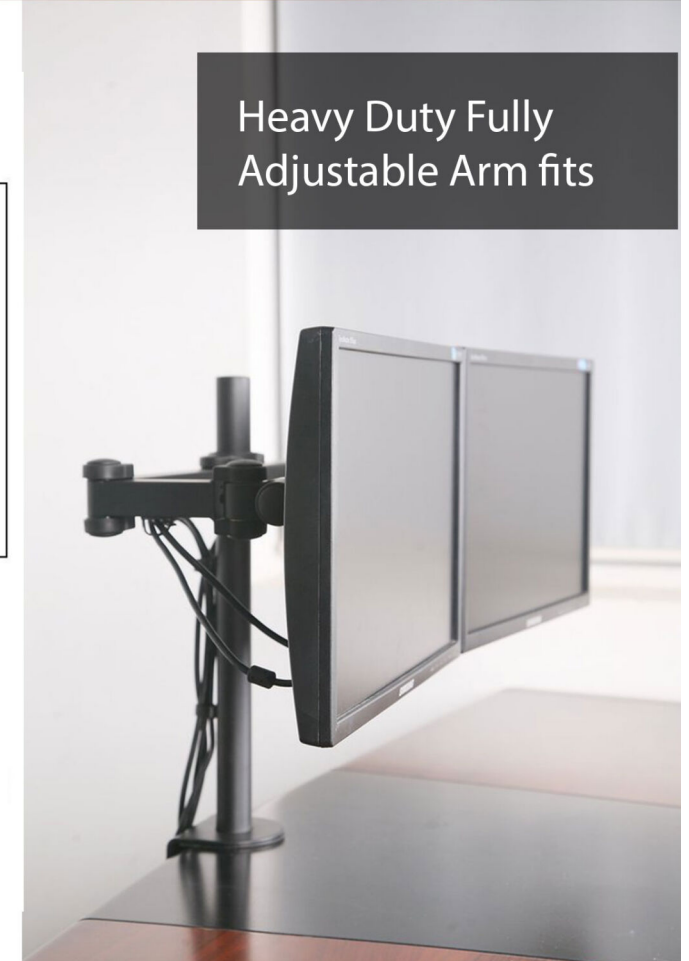


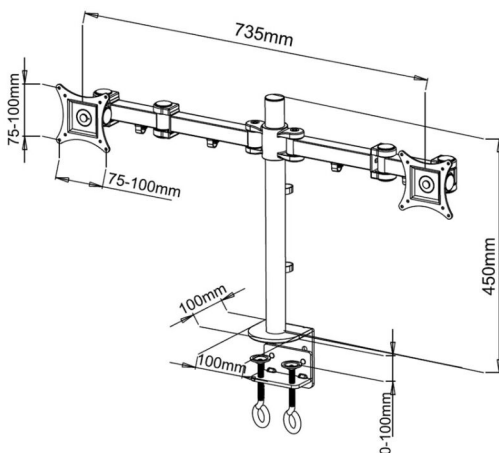
Dual Monitor Desk Mount Stand RC2E





Keep your power and AV cables super organized

Dimensions



Features

- 1 **COMPATIBILITY** - Our dual monitor mount can fit two screens 13" to 27" in size and 22 lbs in weight, each with 75x75mm or 100x100mm backside mounting screw holes.
- 2 **FULL ARTICULATION** - Adjustable arm's rotate 360° swivel, 360° rotation and 15° tilt. With height adjustment along the center pole. Monitor can be positioned in portrait or landscape positions
- 3 **DESK CLAMP** - Mounts to the back of any desk (up to 4" thick) via a heavy-duty C-clamp or optional grommet mounting mechanism.
- 4 **CABLE MANAGEMENT** - Allows you to keep your power and AV cables super organized with detachable cable clips on the arms and center pole
- 5 **EASY INSTALLATION** - Mounting your monitors is a very simple process with the detachable VESA bracket plates. We provide the necessary tools, manuals, and hardware for easy assembly

Contact us



India: Rife technologies, 362, Vardhaman Plaza - II, J Block Community Center. Rajouri Garden, Delhi - 110027, India
E-mail: sales@rifeindia.com, Website: www.lcdtvstandsindia.com, www.rifeindia.com, Tel:+91-9899250704

Hongkong: Ergonomic Corporation Hongkong Limited, 1102, 11th floor, 33 hysen Avenue, Lee Garden one, Causeway Bay, Hongkong
E-mail: sales@ergoshopping.com, Website: www.ergoshopping.com, Tel: 852-98226451