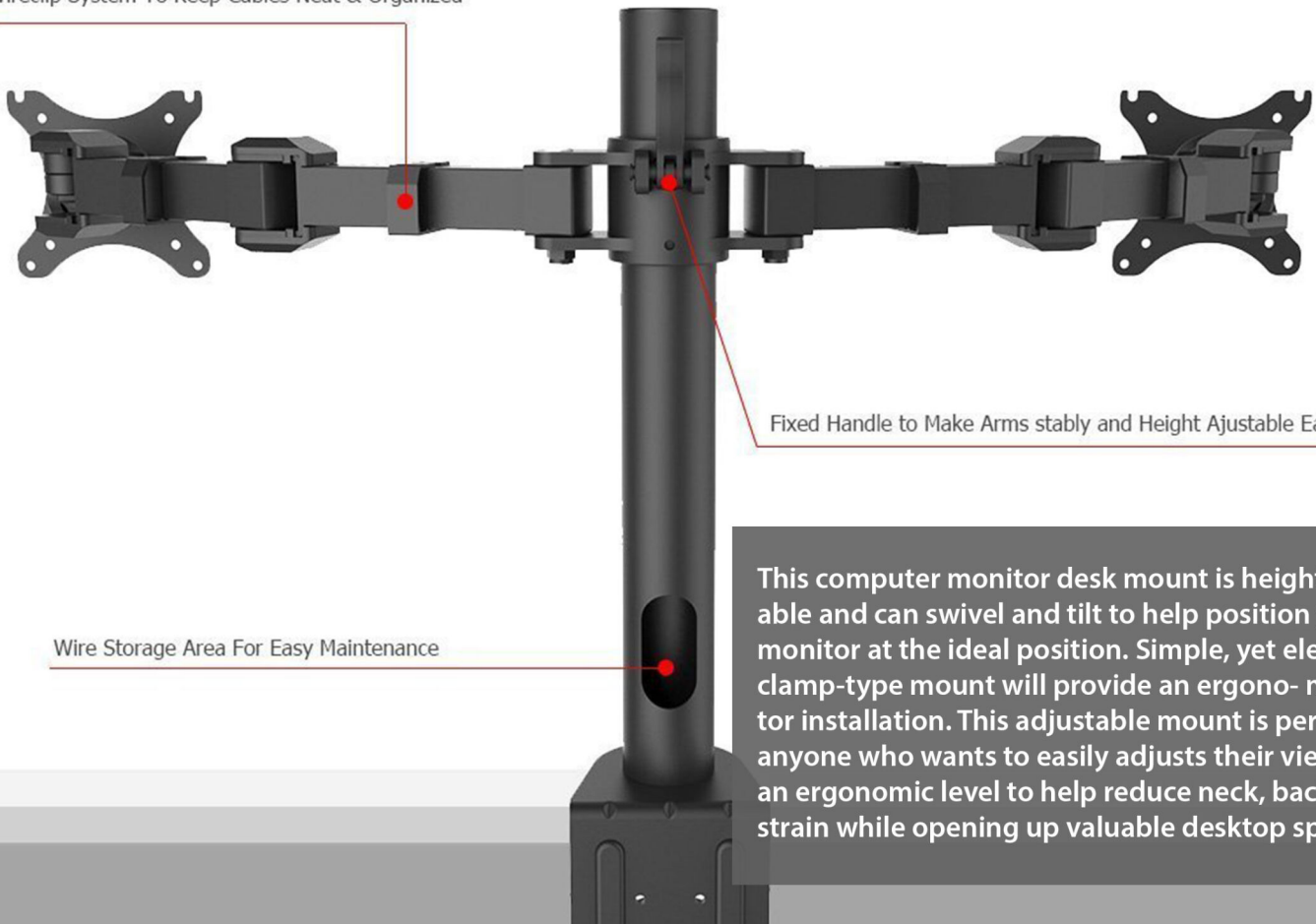




Dual Arm Desk Monitor Mount Stand RC2



Wireclip System To Keep Cables Neat & Organized



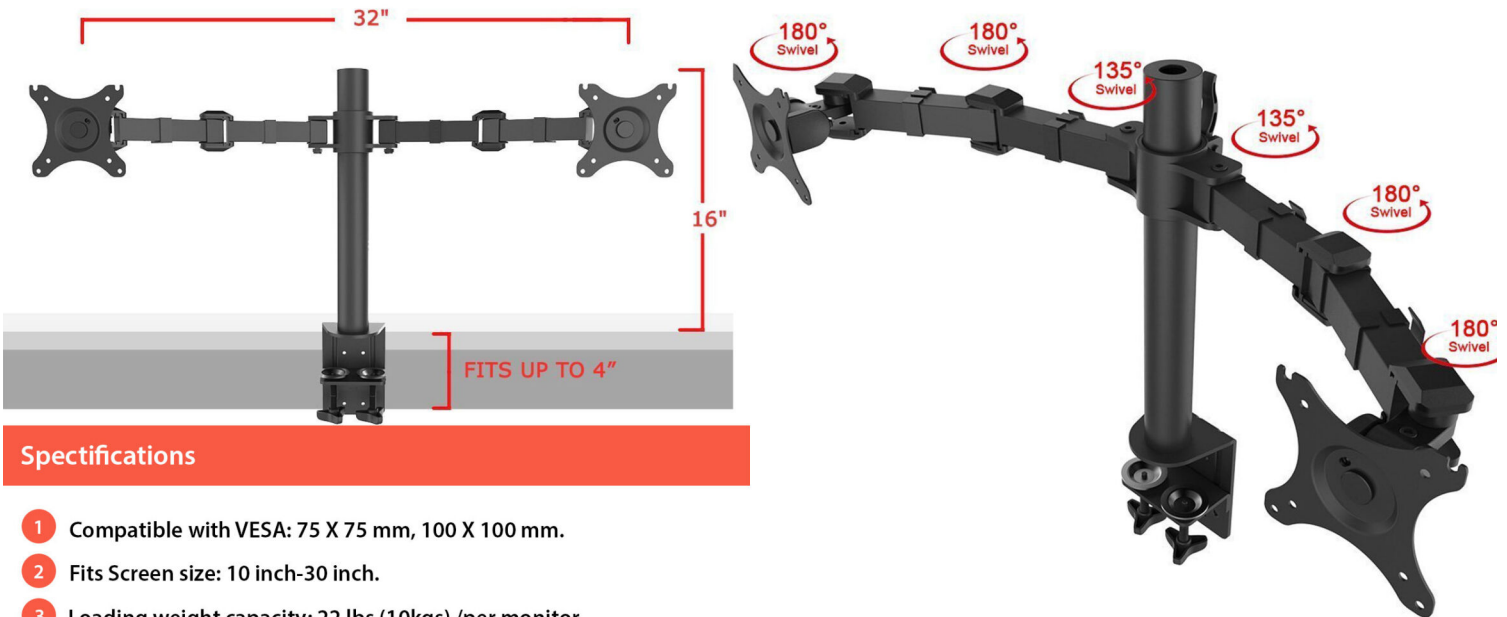
Fixed Handle to Make Arms stably and Height Adjustable Easily

Wire Storage Area For Easy Maintenance

This computer monitor desk mount is height adjustable and can swivel and tilt to help position your monitor at the ideal position. Simple, yet elegant, this clamp-type mount will provide an ergonomic monitor installation. This adjustable mount is perfect for anyone who wants to easily adjust their viewing to an ergonomic level to help reduce neck, back and eye strain while opening up valuable desktop space.



Dimensions



Specifications

- 1 Compatible with VESA: 75 X 75 mm, 100 X 100 mm.
- 2 Fits Screen size: 10 inch-30 inch.
- 3 Loading weight capacity: 22 lbs (10kgs) /per monitor.
- 4 Tilt angle: -85 degree~15 degree.
- 5 Height adjust: 7.9-14.2 inches (200-360mm).
- 6 Maximum extension of each arm: 15 inches (381 mm).

Contact us



India: Rife technologies, 362, Vardhaman Plaza - II, J Block Community Center. Rajouri Garden, Delhi - 110027, India
E-mail: sales@rifeindia.com, Website: www.lcdtvstandsindia.com , www.rifeindia.com, Tel:+91-9899250704

Hongkong: Ergonomic Corporation Hongkong Limited, 1102, 11th floor, 33 hysen Avenue, Lee Garden one, Causeway Bay, Hongkong
E-mail: sales@ergoshopping.com, Website: www.ergoshopping.com, Tel: 852-98226451