

# ARTICULATING DUAL ARM WALL MOUNT | **MODEL: R504**

Up & down tilt degree:  $-2/+15^{\circ}$   
Right & left swivel degree: 180 degree.



The wall mount has heavy steel construction, maximum loading capacity to 60 kg.

Fits most 32-72 inch TV with mounting hole patterns 200x100 to 600 x 400mm.



Safety screw was used to avoid the movement of TVs after you hang it on the wall bracket.



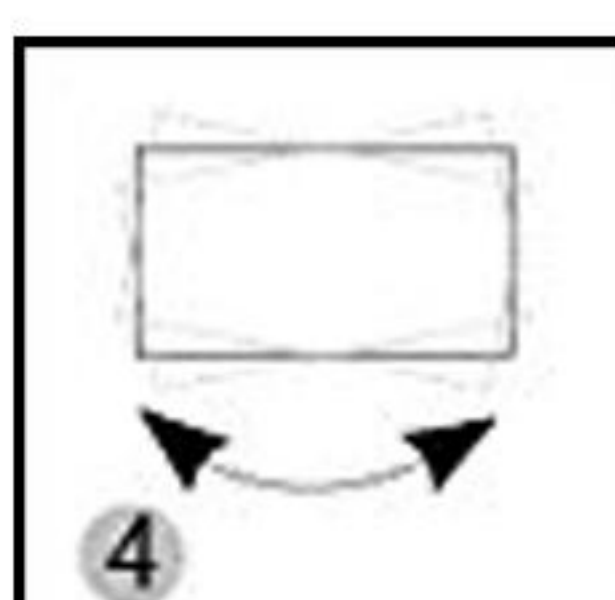
Single articulating arm can achieve  $180^{\circ}$  turning for the TV, it's the best solution if you want to use the TV both in living room and dining room.



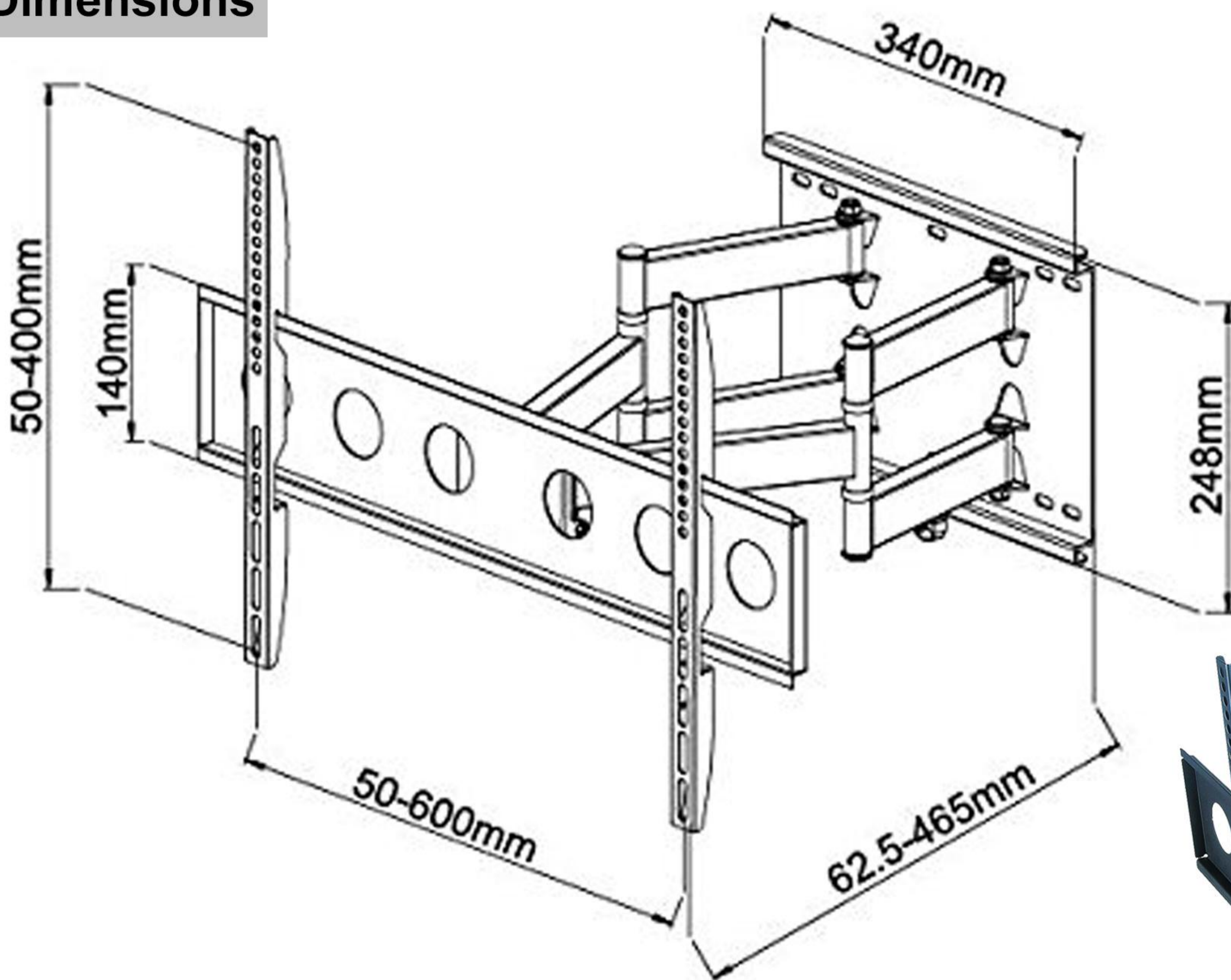
Tilting system can achieve  $-2$  to  $+12$  angle adjustment.



Allow  $+2$  degree lateral roll to ensure TV is perfectly level after hanging.



## Dimensions



Adjustable Tilt Swivel Full Motion with VESA up to 600x400 mm for 32- 60-inch LCD LED Plasma TV Flat Screen.



## Description

**Fits most 32-72 inch TV with mounting hole patterns 200x100 to 600 x 400mm. The wall mount has heavy steel construction, maximum loading capacity to 60 kg. Front and back telescoping distance (TV to wall distance) is 62.5 cm -46.5 cm.**

## Features

- Fits most 32-72 inch TV with mounting hole patterns 200x100 to 600 x 400mm.
- Heavy steel construction, maximum loading capacity to 60 kg.
- Up & down tilt degree:  $-2/+15^{\circ}$  Right & left swivel degree: 180 degree.
- Front & back Telescoping distance(tv to wall distance):62.5 cm -46.5 cm.
- Wire Management included

## Contact us



**India:** Rife technologies, 362, Vardhamn Plaza - II J Block Community Center. Rajouri Garden, Delhi - 110027  
E-mail: [sales@rifeindia.com](mailto:sales@rifeindia.com) | Website: [www.lcdtvstandsindia.com](http://www.lcdtvstandsindia.com), [www.rifeindia.com](http://www.rifeindia.com), [www.ergodesks.in](http://www.ergodesks.in)  
Tel:+91-9899250704

**Hongkong:** Ergonomic Corporation Hongkong Limited, 1102, 11th floor, 33 hysen Avenue, Lee Garden one Causeway Bay, Hongkong  
E-mail: [sales@ergoshopping.com](mailto:sales@ergoshopping.com) | Website: [www.ergoshopping.com](http://www.ergoshopping.com) | Tel: 852-98226451