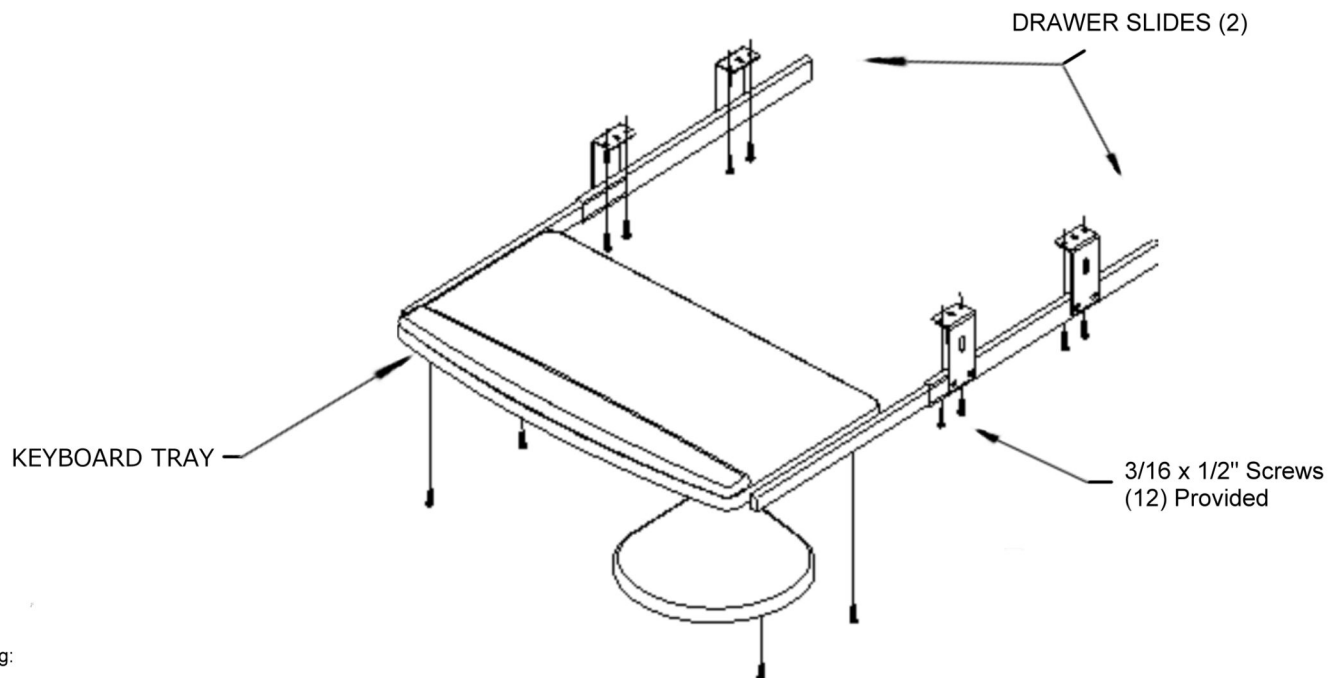


# Drawer Slide MDF Tray

## Mounting Instructions

- 1) On a flat surface, place the padded palm rest of your keyboard drawer down on a flat surface.
- 2) Install both the left and right drawer slides using the 3/16 x 1/2" screws provided as illustrated in the diagram.
- 3) On the underside of the table where you want to mount your new keyboard drawer; using a pencil, draw a line 3 inches (76mm) from the front edge of your desk or table.
- 4) Place a mark on the line where you want the center of the keyboard drawer to be located.
- 5) From this center mark location, measure and mark a distance of 9-7/8 inches (251mm) on both the left and right hand sides of the center mark.
6. Using a 1/16 inch diameter drill bit, drill (2) screw pilot holes for the left hand and right hand sides of your keyboard drawer.
7. Using 3/16 x 1/2" screws provided, install the keyboard drawer to the underside of the table using the two pilot screw holes.
8. Drill six additional screw pilot holes using the mounting brackets of your Keyboard drawer as a template or guide.
9. Install the remaining screws in the screw pilot holes you just drilled.



## Parts List

- 1 - Keyboard Tray Set
- 2 - Drawer Slides
- 1 - Instruction Sheet
- 1 - Accessory Pack. Including:
  - 12 - 3/16 x 1/2" Screws
  - 1 - Allen Wrench