

Single Gas-Spring Laptop Desk Mount Stand



NAG-S

Description:-

Use your laptop in style with Laptop Desk Mount! Elevate your work to a more comfortable and ergonomic position with this stand's long arms and fluid articulation. High-grade steel and aluminum construction along with the heavy-duty C-clamp ensure your laptop will be kept secure. The mount can be converted to a monitor stand with **VESA** compatible screens and supports the majority of laptops and monitors on the market.



FULL-MOTION

The arm holding the laptop tray can be moved up and down on the vertical pole. The arm allows the tray to swivel/articulate left to right and towards or away from the user. The tilt angle of the tray can also be adjusted.



CABLE MANAGEMENT

Cable clips to help you manage/hide cables on your desktop so you can have a nice, clean desktop and never feel fidgety about the messy cables on your desktop again.



REMOVABLE VESA PLATE

Mounting the laptop platform is easy with the removable VESA plate! Secure the VESA mount directly to the platform and slide it onto the stand bracket. The stand can also be used with monitors having standard VESA 75x75mm and 100x100mm mounting holes.



FULL ARTICULATION

The fluidity allows the mount to tilt $-85^{\circ}/+90^{\circ}$ degrees in either direction, swivel 180 degrees, and rotate a full 360 degrees.

VENTED TRAY

The vented tray supports notebooks up to 17 inches in screen size with a total load capacity of 17.6 lbs. High-quality steel material ensures durability and elegant looks.



C-Clamp Base

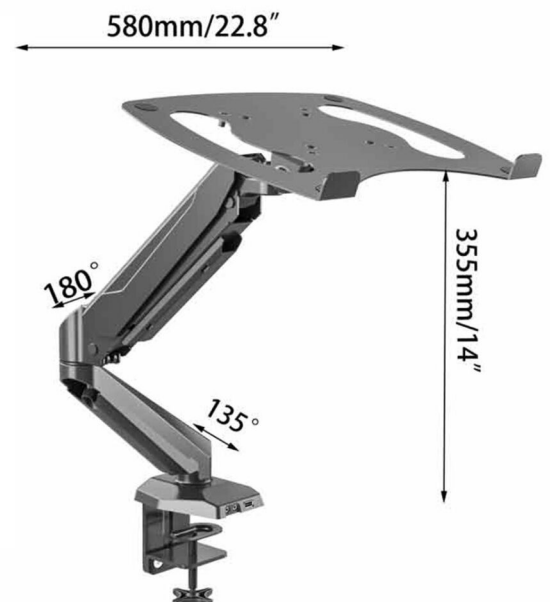
The C-clamp is a sturdy attachment method for those who do not have a pre-installed opening in their office desk.



The high-grade arms extend, retract and easily adjustable

Specifications:-

- Screen Size: 15"-27"
- Load: 0-8kg/0-17.6lbs
- Tilt: -85°/+90°
- Swivel: 180°
- Rotation: 360°
- Vesa: 75x75/100x100mm
- Color: Silver/Black



Contact us



India: Rife Technologies, 362, Vardhaman Plaza - II, J Block Community Center, Rajouri Garden, Delhi - 110027, India
E-mail: sales@rifeindia.com, Website: www.lcdtstandsindia.com, www.rifeindia.com, Tel: +91-9899250704

Hongkong: Ergonomic Corporation Hongkong Limited, 1102, 11th floor, 33 hyson Avenue, Lee Garden one, Causeway Bay, Hongkong
E-mail: sales@ergoshopping.com, Website: www.ergoshopping.com, Tel: 852-98226451