



Dual Arm Monitor & Laptop Mount

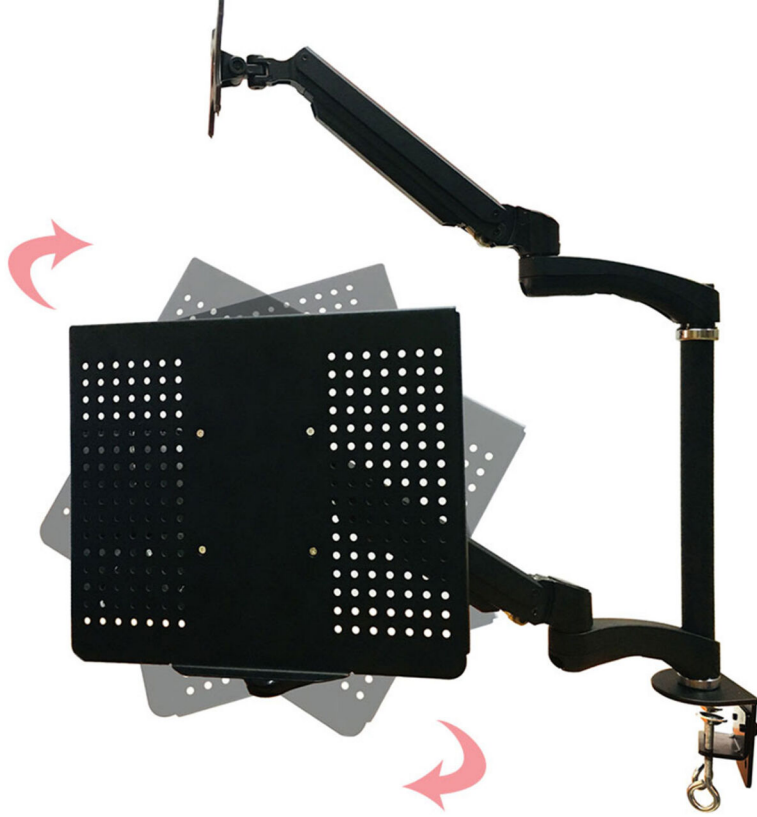


Screen Size: 17" to 27"

**Weight Capacity: 17.6 lbs
for monitor and 10.6 lbs
for laptop**

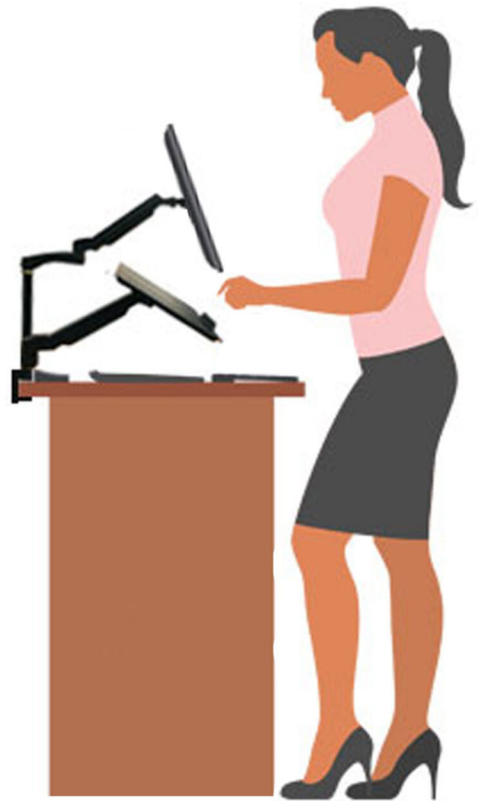
NAG-DC

Increase the comfort and efficiency of your workstation with the Pneumatic Arm Dual Monitor Desk Mount from EleTab! Featuring high-quality aluminium construction, flexible joints, smooth height adjustment, a sturdy desk clamp, integrated cable management, topside installation, and more, this mount is ready to transform your workspace.



Every joint in the arm is **free to move**. Adjust your monitor and laptop arm to the perfect spot and easily share your monitors with your colleagues when needed.

Gas **Spring hovering system** gracefully adjusts height of monitor and laptop

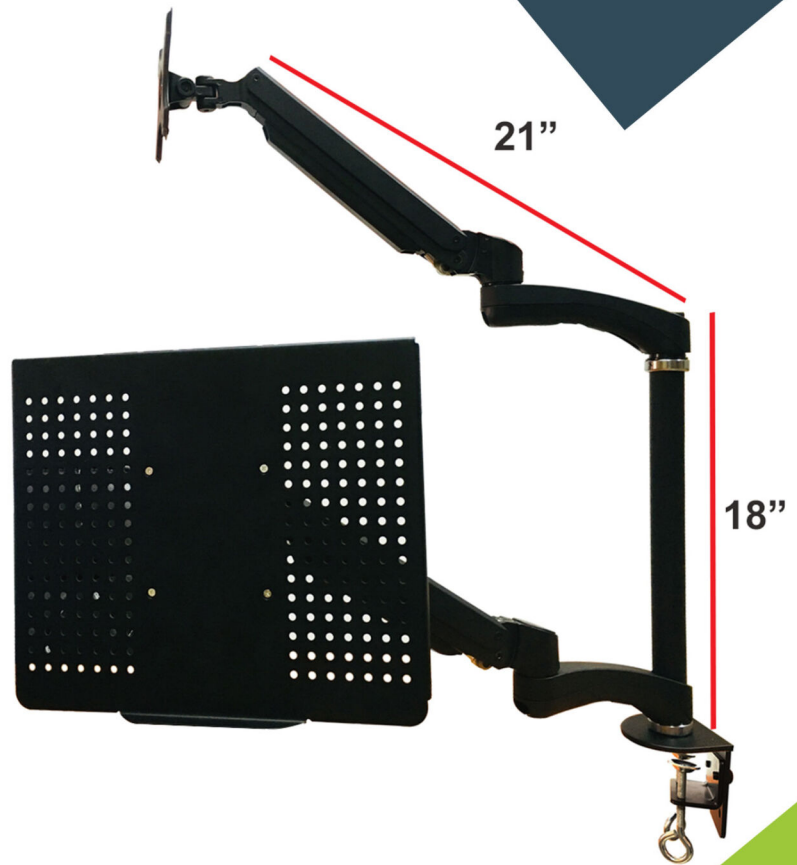
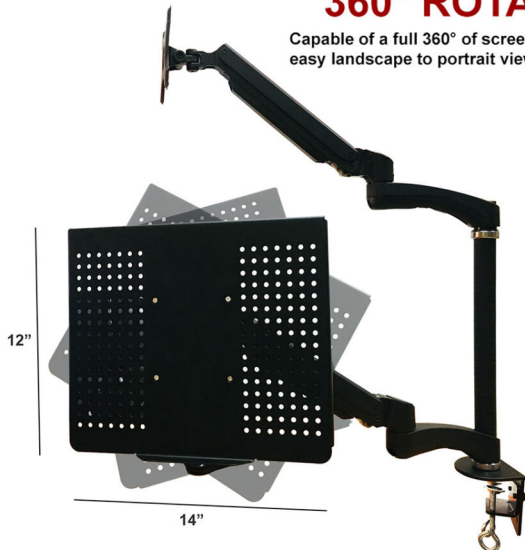


Raising a single monitor & laptop off the desk surface also saves valuable workspace and lets you **increase work efficiency**.



360° ROTATION

Capable of a full 360° of screen rotation for easy landscape to portrait viewing



EASY TO FIT WITH HIGH COMPATIBILITY



Features

1. Easily adjusts to support an ergonomically right workstation; sit more comfortably at your desk while reduce neck, eye and back strain.
2. One for your computer monitor, another arm for your laptop – in Single space saving base.
3. Easily Adjust and remove laptop, Effortlessly share ur screen w/ coworkers.
4. Gas spring hovering system gracefully adjusts height of monitor and laptop.
5. Fits most monitors and laptops - check for mounting holes in back of monitors. You can Easily Install it within few minutes.
6. Integrated Cable management system.

Contact us



India: Rife Technologies, 362, Vardhaman Plaza - II, J Block Community Center. Rajouri Garden, Delhi - 110027, India
E-mail: sales@rifeindia.com, Website: www.lcdtvstandsindia.com, www.rifeindia.com, Tel: +91-9899250704

Hongkong: Ergonomic Corporation Hongkong Limited, 1102, 11th floor, 33 hysen Avenue, Lee Garden one, Causeway Bay, Hongkong
E-mail: sales@ergoshopping.com, Website: www.ergoshopping.com, Tel: 852-98226451