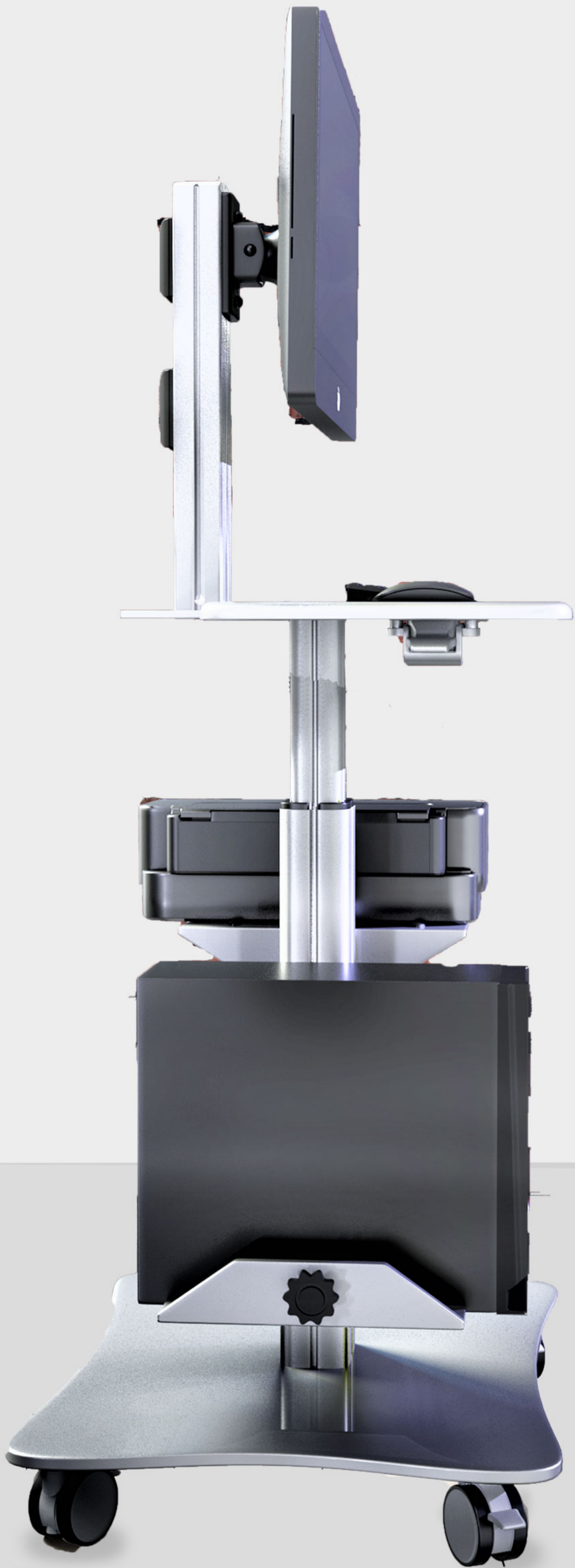


MCT10



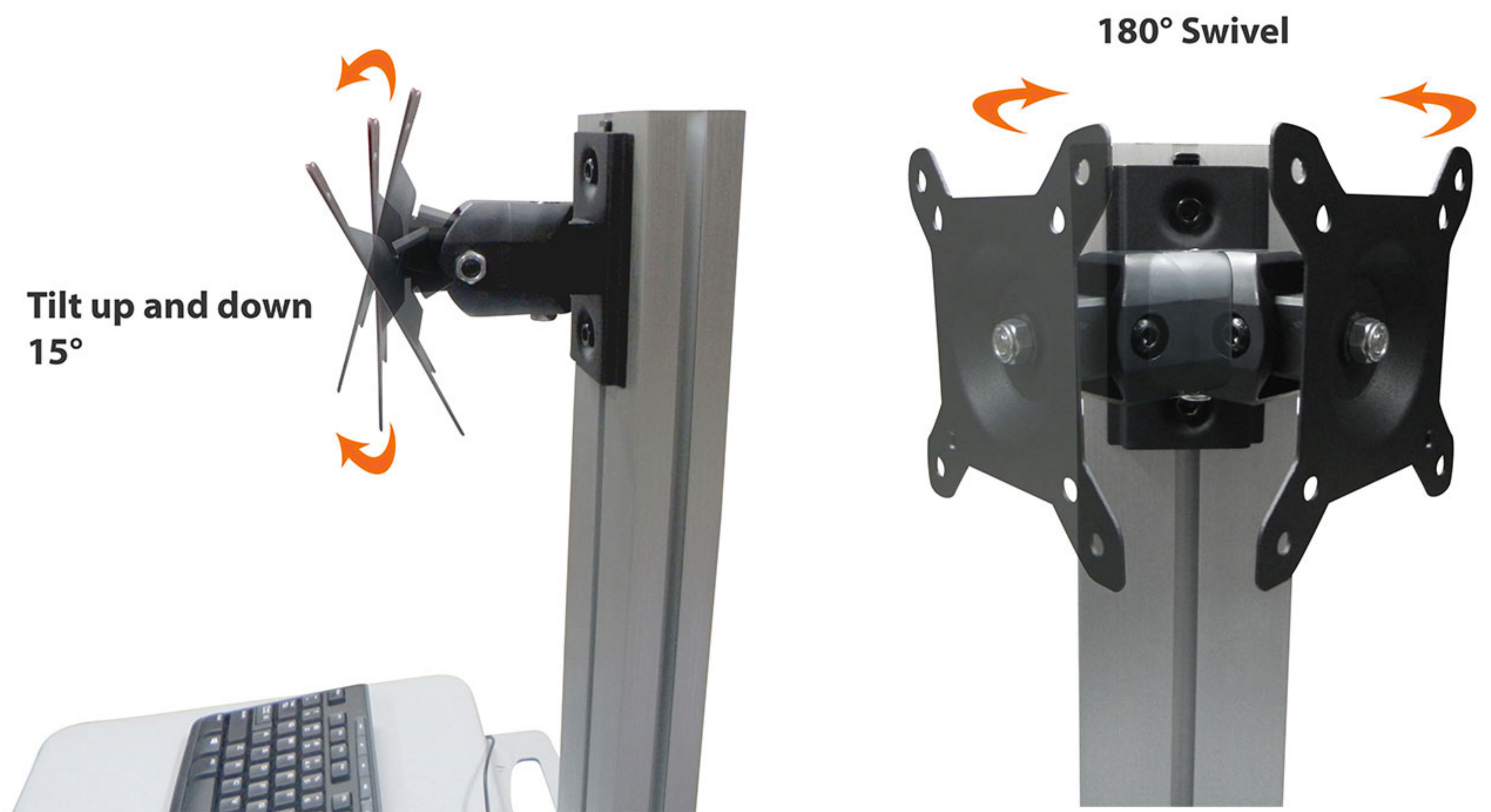
Sit-Stand Mobile Workstation



Enhance your work area with spacious height adjustable mobile stand-up desk. This is the perfect mobile computer/laptop station for use at the office, home, showroom and classroom, and provides ample room.

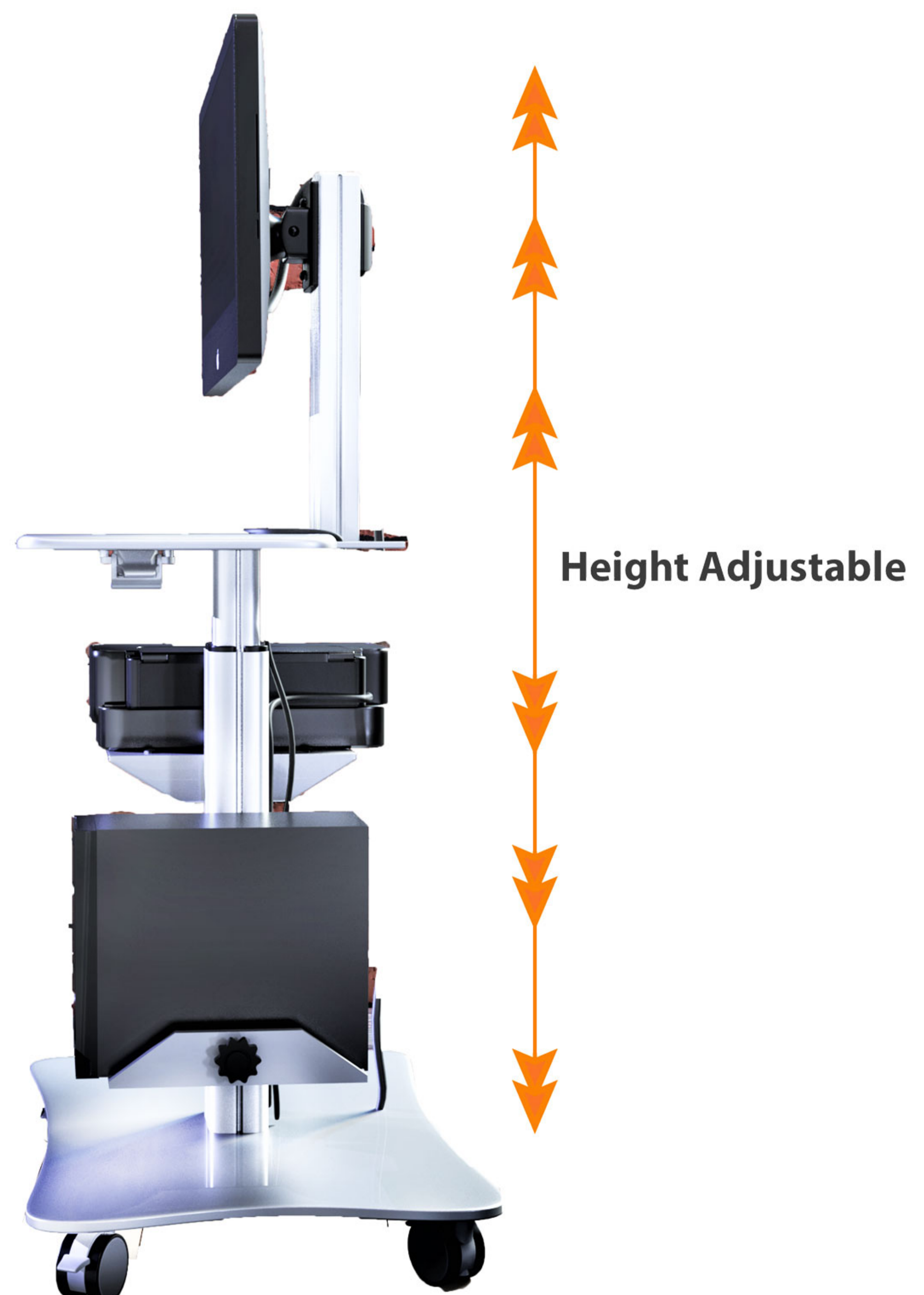
Articulated Monitor Mount

Adjustable height, tilt, swivel and rotation functionalities offer optimal viewing angles



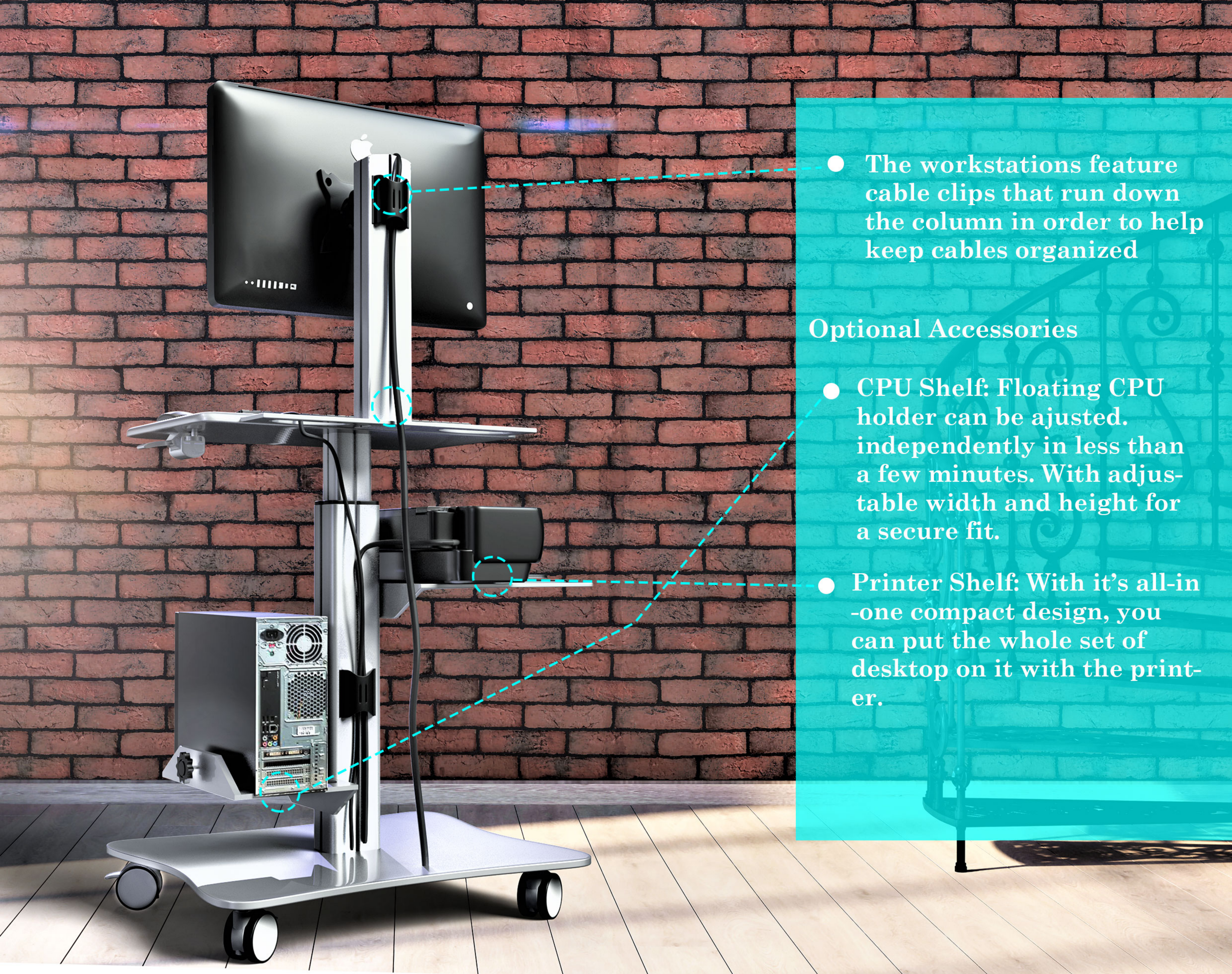
Ergonomic Workstation

The height can be adjusted low enough to work from an ergonomic sitting position that will you to boost your productivity and focus.



Fitness and Comfort

Quickly raised to a comfortable standing position (minimum height: 51", maximum height.: 64.9").



- The workstations feature cable clips that run down the column in order to help keep cables organized

Optional Accessories

- CPU Shelf: Floating CPU holder can be adjusted, independently in less than a few minutes. With adjustable width and height for a secure fit.
- Printer Shelf: With it's all-in-one compact design, you can put the whole set of desktop on it with the printer.

Height Adustable desk for an easy transition from sitting to standing and back. Easily switch users or working position through out your day





Also Compatible with
NEW
Polycom Studio

Create a Premium Audio and Video Conferencing System

With room-filling sound and pinpoint accurate microphones, Polycom Studio enables participants on both ends of your calls to hear and be heard clearly. Developed through decades of audio science, Polycom Studio has the best audio quality in its class, letting you experience meetings like you're there in person. With intelligent features like Polycom Acoustic Fence and NoiseBlock, Polycom Studio automatically mutes and removes distracting background noises and other unwanted sounds.



Can use with on top of Camer Shelf (Optional) and Keyboard Tray.



Ample of Space Conveniently holds your keyboard and mouse side-by-side



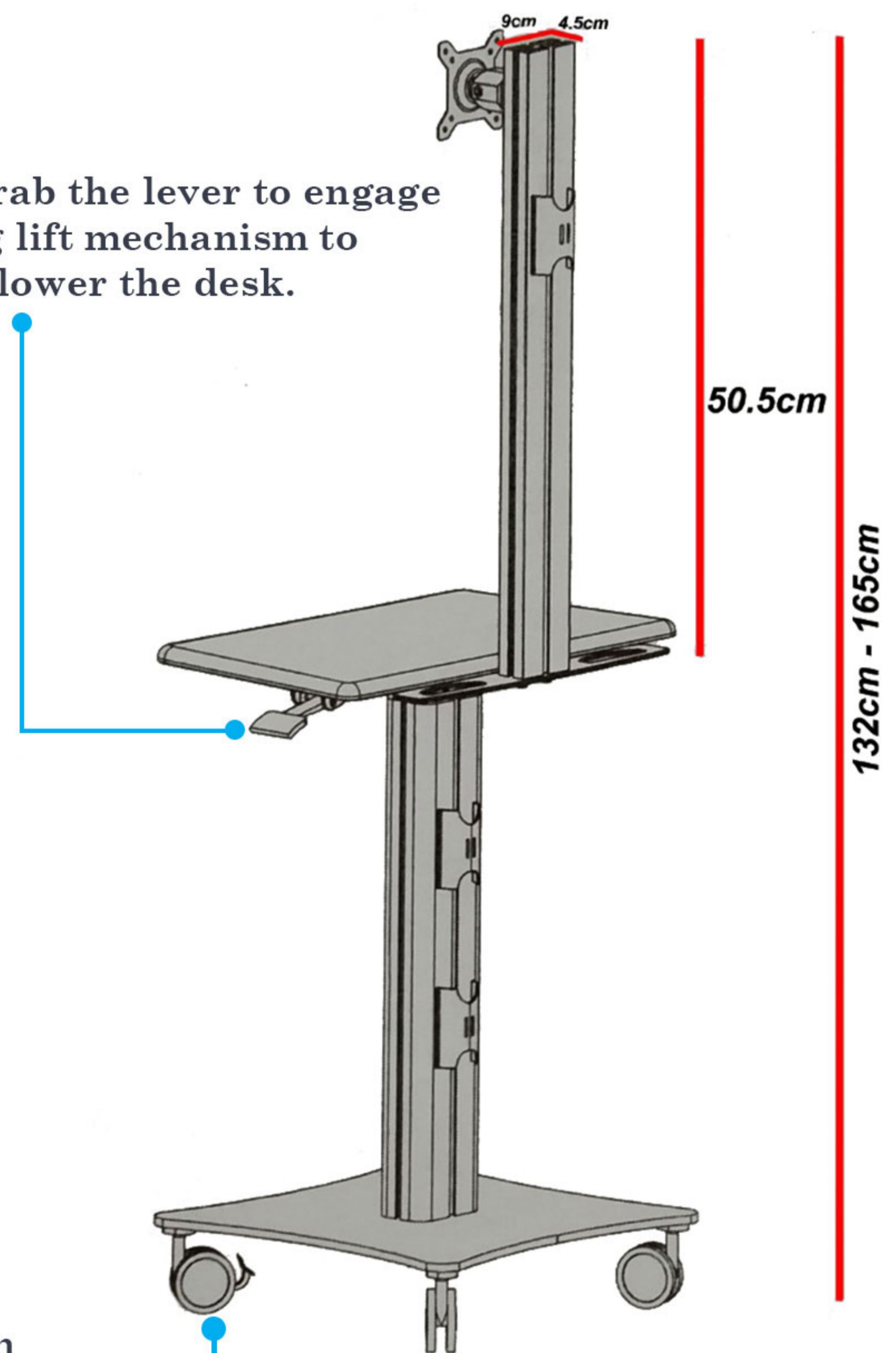
Surface measures 25 inches wide enough to supports any size of keyboard and mouse

Dimensions

Features

- 1 Minimum height: 51", Maximum height: 66".
- 2 Aluminium Pillar.
- 3 Shelve made of Steel.
- 4 25 Inches Shelve Size.
- 5 Maximum total recommended weight is 132 lbs.
- 6 Designed with 4 casters, 2 of which are lockable.
- 7 Pneumatic sit stand height adjustable pillars.
- 8 Optional Items: CPU Holder, Printer Shelf.

Simply grab the lever to engage the spring lift mechanism to raise and lower the desk.



Designed with 4 casters, 2 of which are lockable, this cart can be to be stationed in one area or wheeled wherever necessary without difficulty

Contact us