

# NURSE TREATMENT CART



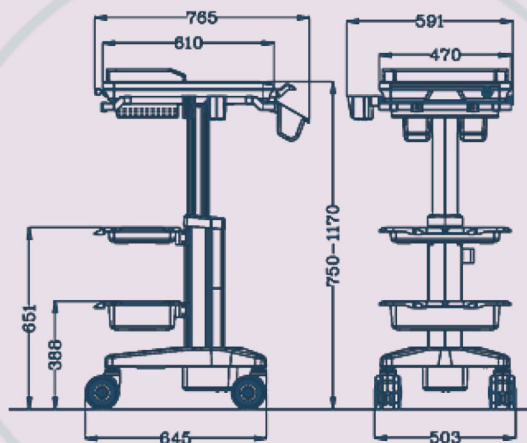
## Specifications

- Height adjustment range for work surface :  $400 \pm 20\text{mm}$  lifting load  $\leq 15\text{kg}$ .
- Worksurface height :  $750 - 1170\text{mm}$  ( $\pm 20\text{mm}$ ).
- Worksurface dimensions :  $610\text{mm(L)} \times 470\text{(W)}$  .
- There is a small laptop ( $\leq 14\text{''}$ ).
- Dimensions :  $469.5 \text{ mm (L)} \times 306\text{mm (W)}$ .

## Features

- 2 big storage tray with different depth.
- Fence with hangers (include 3 small pockets, a scanner gun holder, a gel cup)
- Base : PA6 + ABS cover
- Silent medical casters

Model:  
MC-N



Model:  
DG-05 • Laptop Arm

Model:  
DJ2-05