

# MEDICATION CART

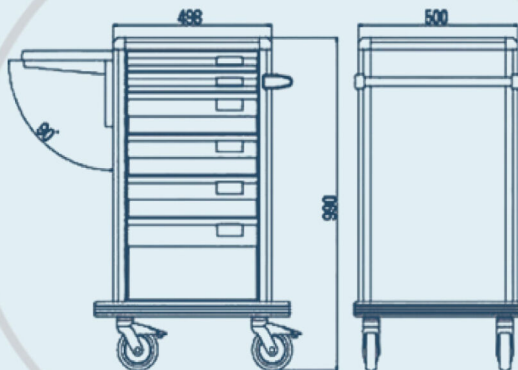


## Specifications

- Worksurface height : 990mm.
- 10mm thickness tempered glass worksurface, easy to clean, dimensions : 498mm (L) x500mm (W).
- Proposal Table load  $\leq$  5kg .
- Foldable worksurface dimensions : 470mm (L) x 290mm (W) .
- Cart dimensions : 700mm (L1) / 950mm (L2) x 600mm (W) x 1200mm (H) ( including rocker arm height ).

## Features

- Six spacious drawers, 5 drawer with different size of lattices for different medicine.
- Drawers by interlocking system.
- Laptop rocker arm and scanner gun hanger.
- 2 Dustbins.
- Silent medical casters.



Model:  
MC-M

## Contact us