

SMALL MEDICAL EQUIPMENT CART

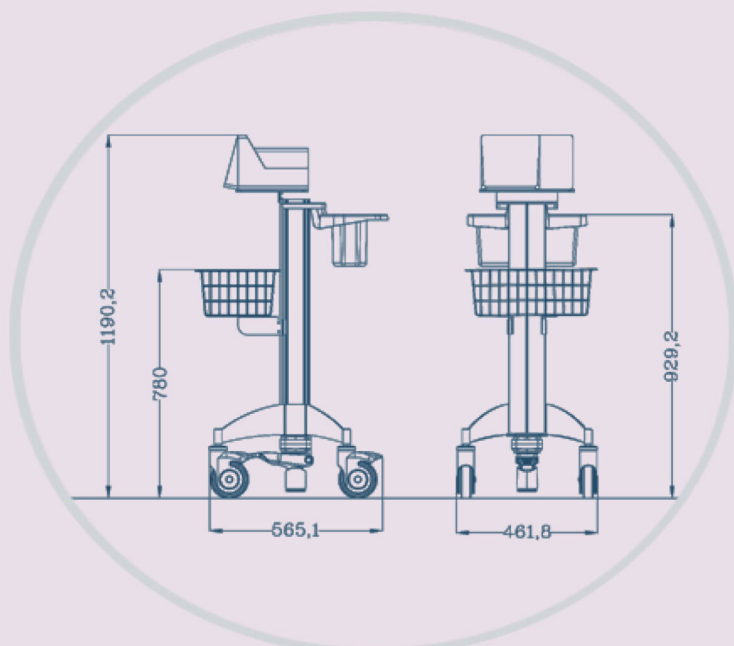


Specifications

- Equipment tray dimension : 310mm(L) x 235 mm(W)
- Equipment tray height : 1012mm, Proposal Table load 30kg
- Mesh basket dimensions : 400mm(L) x 220(W) / 130(W2) X 100mm(H)
- Handle height : 929.2mm
- Cart dimensions (not include equipment) : 565.1mm(L) x 461

Features

- Applied for differnt small equipment
- Pipe/Wire holder arm available
- Storage bin with handle
- Silent medical casters



Model:
MC-S