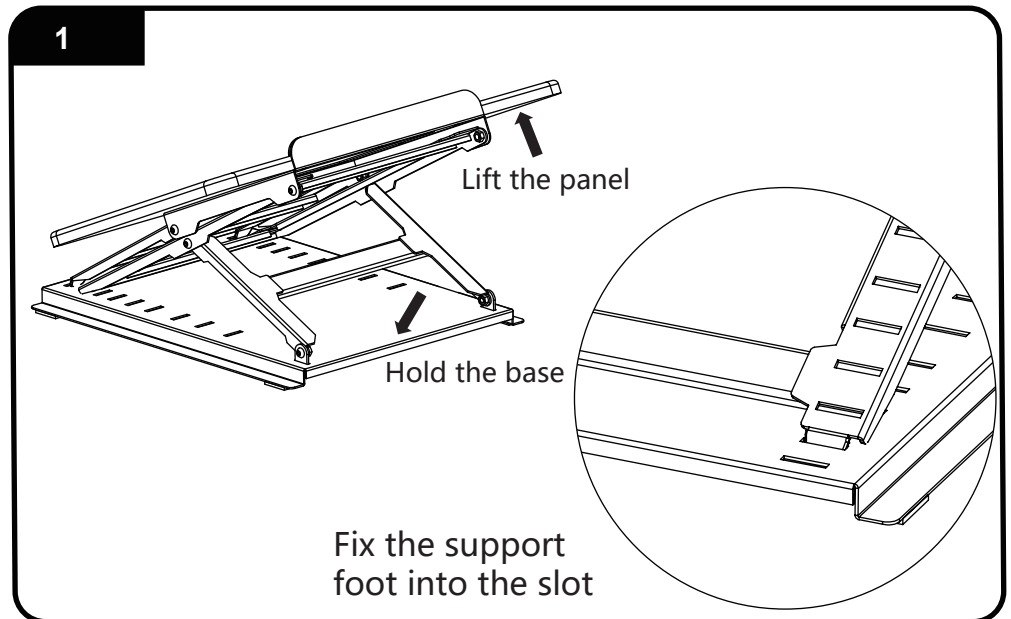


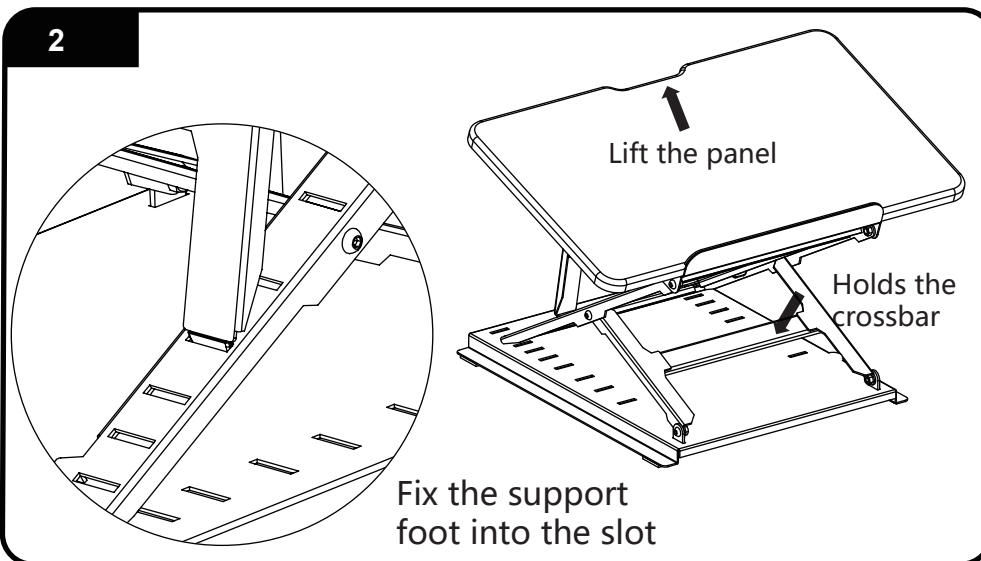
Panel size:	390x290mm
Max load:	15 kgs
Lift range:	85-425mm
Tilt Angle:	Max 72°

1 Height adjustment

As Fig.1, Hold the base with your left hand and lift the panel bracket with your right hand to adjust it to a suitable height. Fix the support foot into the slot of the base.



1 Angle adjustment



As fig.2, Holds the crossbar with your left hand, and raises the panel with your right hand to adjust right Angle.

- Warning:**
1. Please cut the ribbon before use
 2. Be careful hand clip
 3. Please lift the base when moving the product

