



Height-adjustable monitor stand also Built-in spring gauge for perfect weight adjustment



Height range 116-165mm, Stepless height settings for your free height adjustment

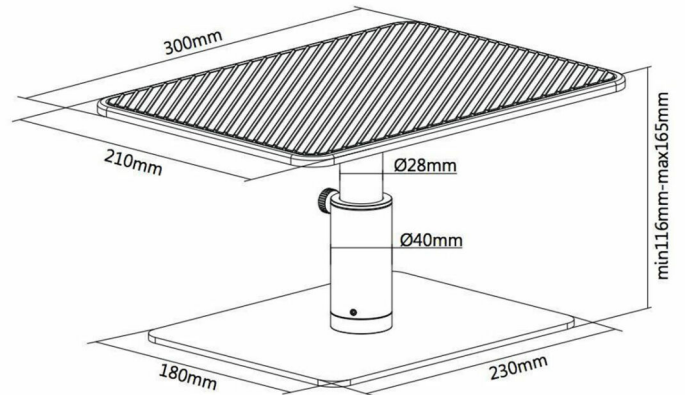
Adjustable Computer Monitor Riser



Non-Skid foam pads protect work surface from scratches or scuffs

# ADJUSTABLE COMPUTER MONITOR RISER

## Dimensions



## Specifications

- Height-adjustable monitor stand, height range 116-165mm (4.6"-6.5)"; sits easily on your desk.
- Stepless height settings for your free height adjustment, height range 116-165mm (4.6"-6.5")
- Built-in spring gauge for perfect weight adjustment
- Non-skid foam pads protect work surface from scratches or scuffs
- Top surface :300 mm wide by 210 mm deep.Supports a 13" - 32" monitor up to 15 kg (33 lbs)

