



Foldable Laptop Height Adjustable Stand



LPT-G

Descriptions

This system is an elegant height adjustable table column with a smooth height adjustment by a single press with button. Its column is a ready-to-install product and saves spacing as it can fold when not in use. Ideal to stand and work and work in table, bed, sofa while sitting.



MULTI PURPOSES

laptop table can be used as a bed table, bedside tray, laptop table for couch, portable desk, and more! Use this in your home or even in the hospital

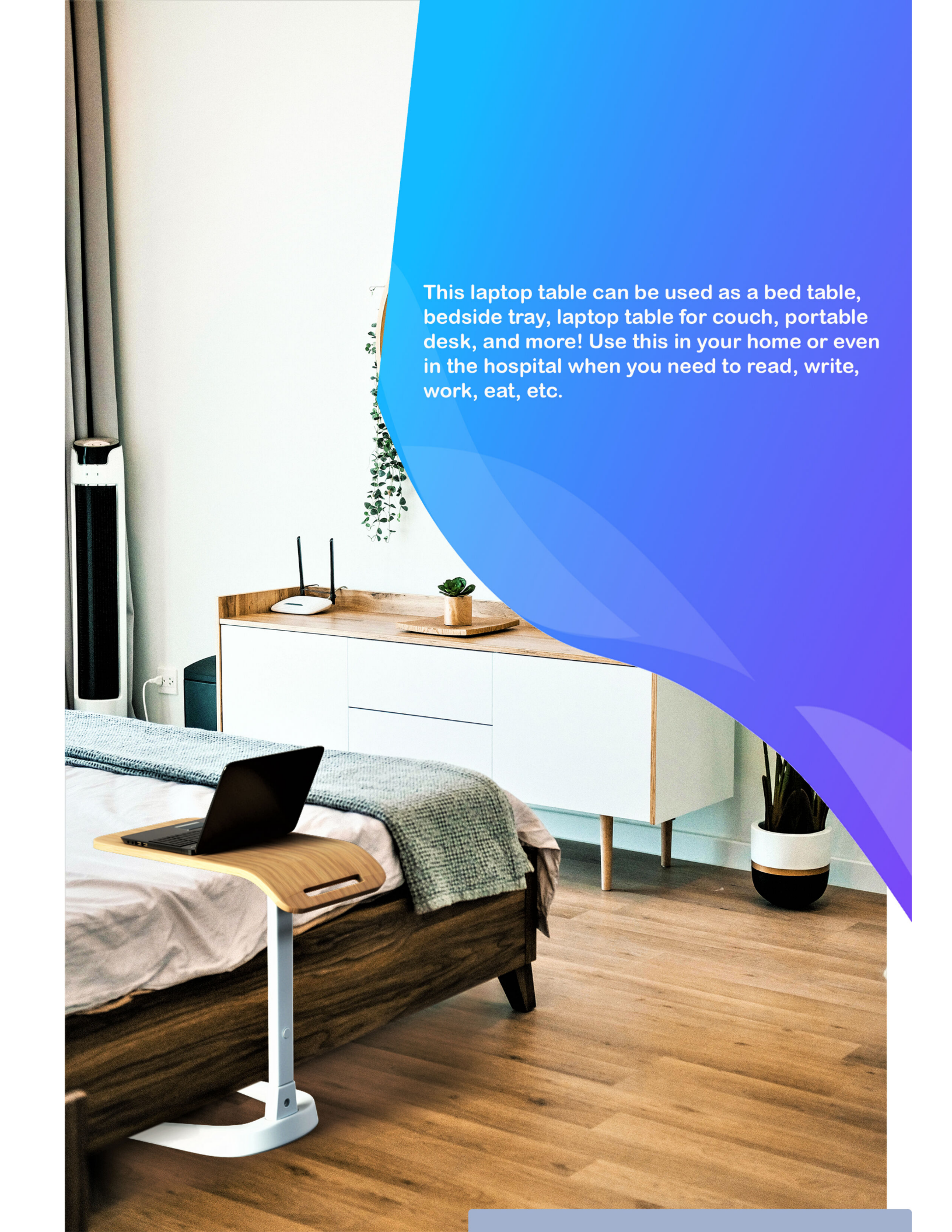
FOLDABLE DESIGN

Ready-to-install product and saves spacing as it can fold when not in use.



STURDY & STRONG

Ergonomic wood top (21.8" x 12.2") fits almost any size monitor, laptop, or tablet Books and other accessories.

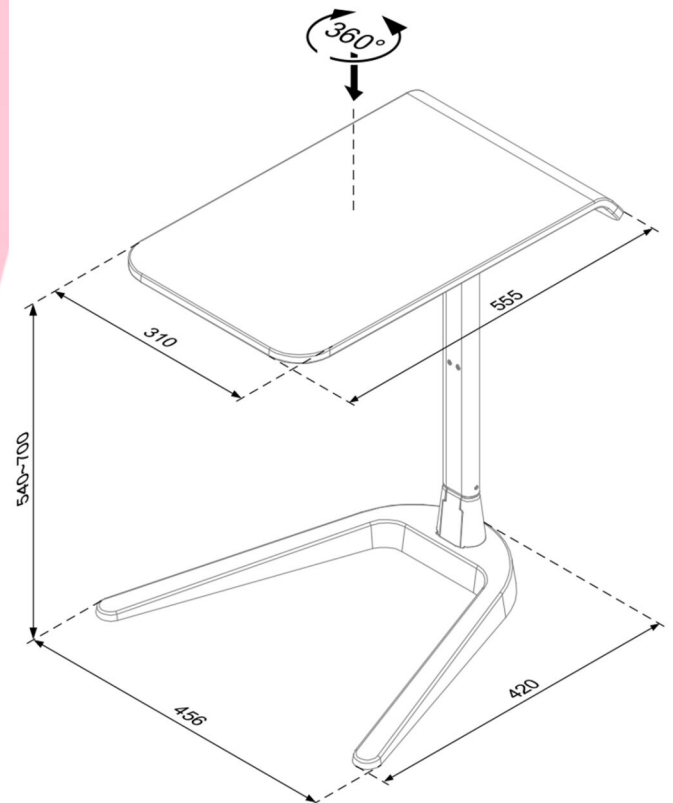
A modern bedroom scene featuring a laptop table on a bed. The table is white with a wooden top and a laptop is open on it. In the background, there is a white cabinet with a wooden top, a potted plant, and a blue gradient overlay on the right side of the image.

This laptop table can be used as a bed table, bedside tray, laptop table for couch, portable desk, and more! Use this in your home or even in the hospital when you need to read, write, work, eat, etc.



Specifications:-

- ▶ **Dimesions:** W-45.6cm x D-55.5cm x H-27.5cm
- ▶ **Adjustable Height:** 21.2cm ~ 27.2cm
- ▶ **Board Rotate:** 360°
- ▶ **Top Dimension:** 555mm x 310mm (21.8 x 12.2 Inches)
- ▶ **Leg Dimensions:** 456mm x 420mm (17.9 x 16.5 Inches)
- ▶ **Materials:** Aluminum tube with steel base, tabletop is MDF with PVC
- ▶ **Color:** White



Contact us



India: Rife Technologies, 362, Vardhaman Plaza - II, J Block Community Center, Rajouri Garden, Delhi - 110027, India
E-mail: sales@rifeindia.com, Website: www.lcdtvstandsindia.com, www.rifeindia.com, Tel: +91-9899250704

Hongkong: Ergonomic Corporation Hongkong Limited, 1102, 11th floor, 33 hysen Avenue, Lee Garden one, Causeway Bay, Hongkong
E-mail: sales@ergoshopping.com, Website: www.ergoshopping.com, Tel: 852-98226451