

# SIT OR STAND

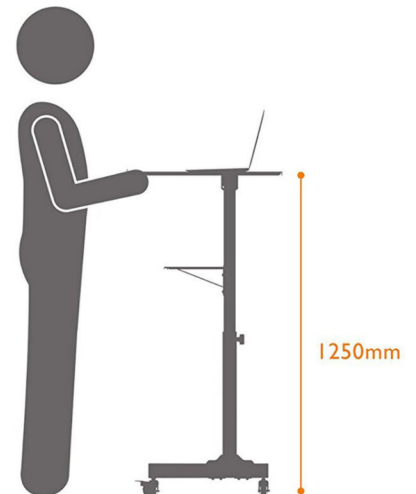
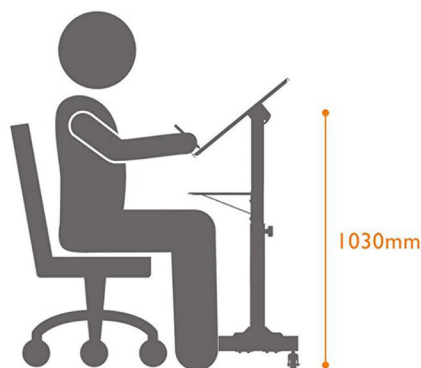
Set to your perfect height for sitting or standing!



## Stepless Height Adjustment

allows a comfortable, flexible standing or sitting position.

LPC10

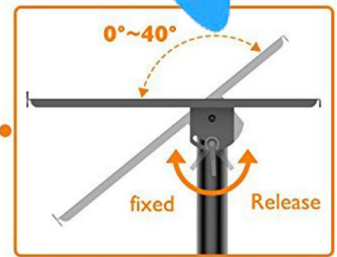




The Desk Cart has a height of workstation can be adjustet freely along the pole for sitting and standing. Cart height from 103 cm to 125cm to keep you, vertical height various angles for your computer.



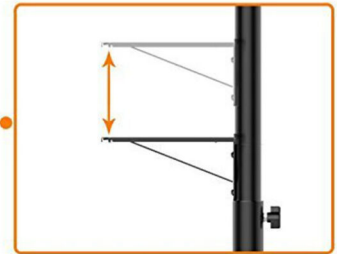
Ideally works as mobile podium, lectern and laptop workstation.



Top platform features 0-40 degrees tilt for better ergonomics.



Small platform for accommodating mug and other small objects for convenience.



The height of workstation is adjustable freely along the pole.



Equipped with four heavy duty casters with locking system for easy movement.



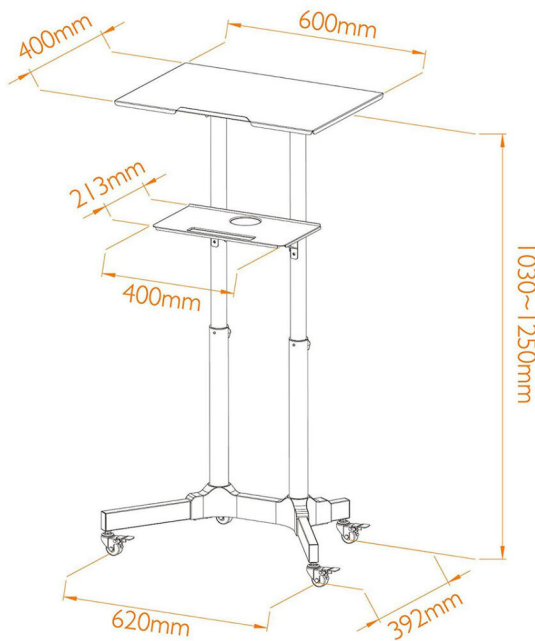
Low profile rear feet for storage closely to the wall when not in use.





# Height and Angle Adjustable Mobile Laptop Desk Cart

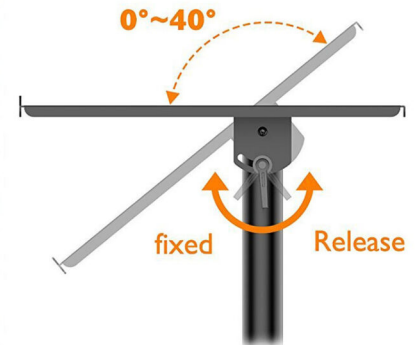
## Dimensions



## Height Adjustable



## Tilt Adjustable



## Features

- 1 The height of workstation can be adjusted freely along the pole for sitting and standing . Cart height adjusts from 103cm to 125cm to keep you comfortable,vertical height various angles for your computer.
- 2 Mobile Computer Desk to work to sit on couch, recliner and bed. Just make sure you have enough room for the wheels to fit under your couch, and the clearance at least 3.14". Moreover, it can be also used standing.
- 3 Top platform features 0-40 degree tilt for better ergonomics, allows you to view your laptop screen from any angle.
- 4 Small base span for space saving, Low profile rear feet help to store the workstation nearby the wall.
- 5 Equipped with four heavy duty casters that will transport your workstation easily.

## Contact us