

# Installation Instruction

## Gas spring Height-Adjustable Desk

HDDG005



Desktop Size:	800x600mm
Dynamic load:	6 kgs
Static load:	30 kgs
Lifting Range :	800-1150mm
Column Segments:	2

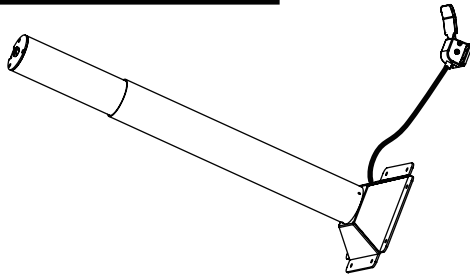
### IMPORTANT SAFETY INSTRUCTOPNS

1. Please read through these instructions completely to be sure you're comfortable with this easy install process. If you do not understand these instructions or have doubts about the safety of the installation, assembly or use of this product, contact your Customer Service.
2. The desk should be operated under this Instruction Manual.
3. The desk should be far away the corrosivity and dusty environment.
4. The desk is not waterproof.

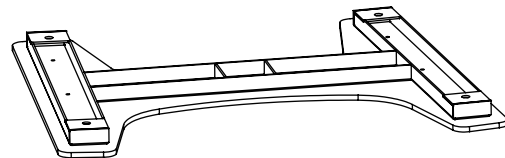
## 1 Preparation

### 1.1 Parts for assembly

Check parts and hardware according to instructions



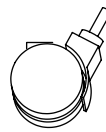
01 Leg x1



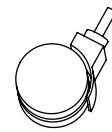
02 Base x1



03 Desktop x1



04 Wheel with brake x1

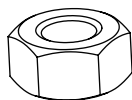


05 Wheel x1

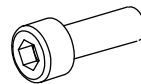
### 1.2 Hardware



A Philips' screw x10



B Nut x1



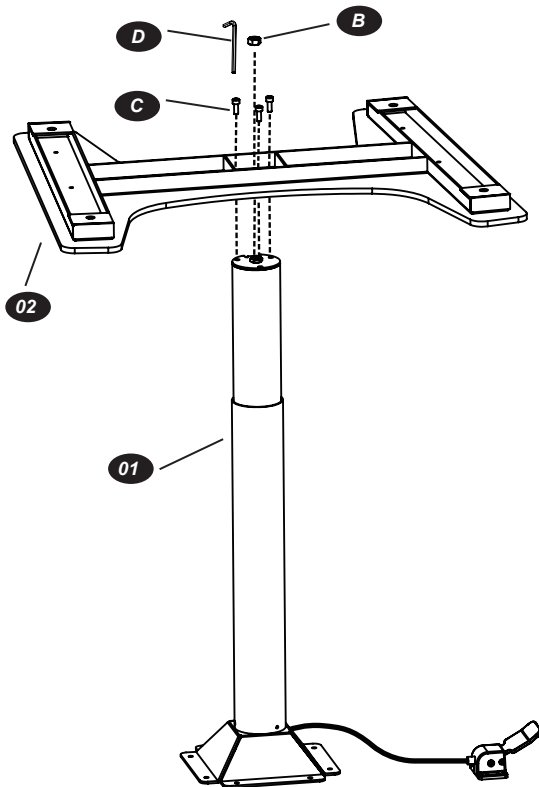
C Hex screw x3



D Hex key x1

## 2 Assembly the desk

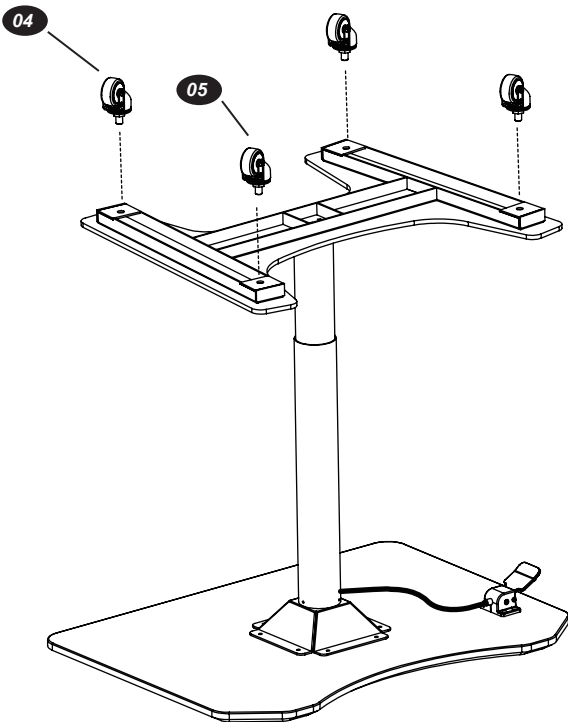
2.1



with the leg 01.  
Tighten the screws C and  
nut B as fig 2.1

Assembly the Desktop and  
wheel as fig 2.2 2.3

2.3



2.2

