



Aluminum Interactive Counterbalance Monitor Arms

LMS-G



Vertical Adjustment
Gas Spring Assisted

Detachable VESA panel makes installation easier



Both grommet and desk clamp mounting available



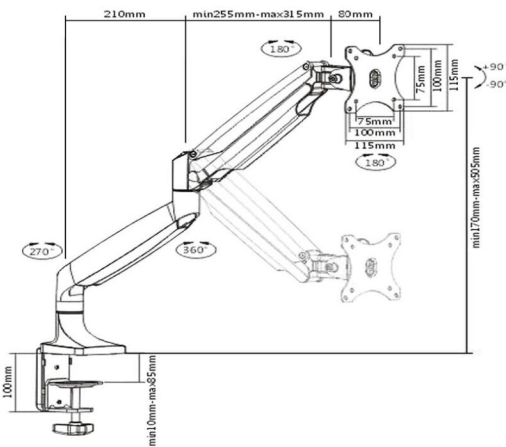
Create a clean sleek look by concealing cables from sight



Built-in spring tension gauge adjusts for various arm weight loads



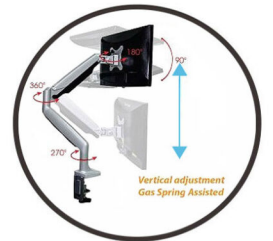
Added slots for holding tools in case of possible maintenance in future



Create a clean sleek look by concealing cables from sight



Built-in spring tension gauge adjusts for various arm weight loads



Smooth, Precise and Effortless Viewing Angle Adjustment