



Vast selection of TV carts to choose from

Use for Video conference or meetings general purpose at reception or conference room

Find one so specific to your needs, it feels custom-designed

All models feature stable bases for rock-solid support and smooth casters for easy mobility

Options of shelves for keeping laptops, CPUs, VC devices, Cameras

ALUMINIUM FINISH VIDEO CONFERENCE CART

H01



- Movable flat panel tv mount
- With a shelf for VC equipment
- Cable Management inside the pole
- VESA size : 480mm and 680mm
- Support screen upto 30" - 52"
- Product size : 800(W)x600(D)x1250(H)mm
- Support VC equipments up to 5kgs
- Heavy duty wooden base for better support
- Load Bearing : 23 kg
- Colour : Black base

A trendy living-room TV furniture, stylish design with exquisite technique.

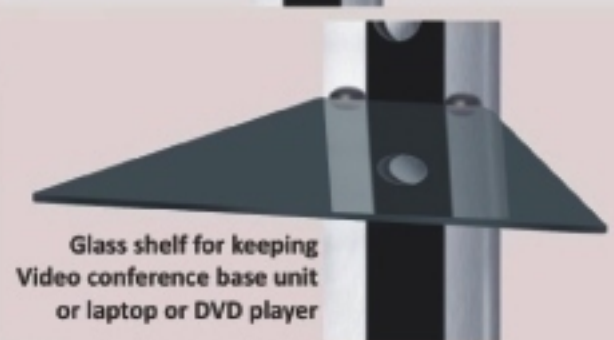
Made up of aluminum alloy post, wooden base, tempered safety glass shelf.

Contemporary design with unique combo mechanism, perfect for your valued TV decor.

Hi-end material construction, robust while offering a distinctive look in your living-room.



Adjustable mount to support 30"-52" LCD's



Glass shelf for keeping Video conference base unit or laptop or DVD player



Aluminium body and heavy duty wooden base

Economical Floor TV Trolley (for Home & Commercial Use)

H04



Adjustable screen height
Adjustable screen height by shifting 2" incremental plunger holes from 40.5" to 60" along 2 poles for perfect viewing level.



Standard video tray
The video tray is a standard attachment for AVA 1500-60-1P. This video tray enables to adjust height vertically freely within the slot for perfect video conference position.



Adjustable AV shelf height
Adjustable plastic AV shelf holds AV components and accessories up to 10lbs (4.5 kg.)



Integrated cable management system
Internal cable management allows cables and wires to be routed inside the column for clean, clutter-free look.



Swivable caster brake wheels
Carts come with 2" swivable caster brake wheels provide you with easy maneuvers to any direction and position.

High tensile full welded solid base construction provides stability and rigidity in used!



Double Post design
Two SPCC seamless pipes design provides stable and rigid support for TV panel.

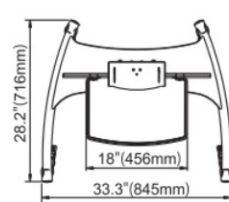
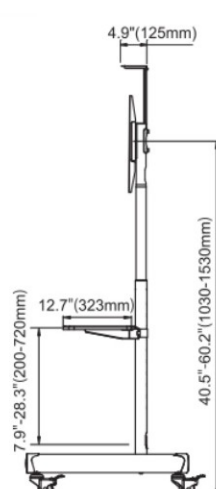
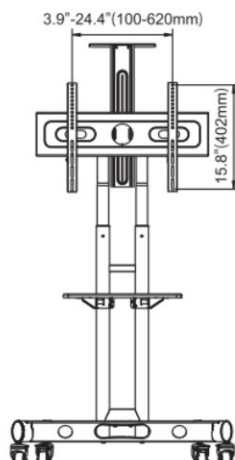
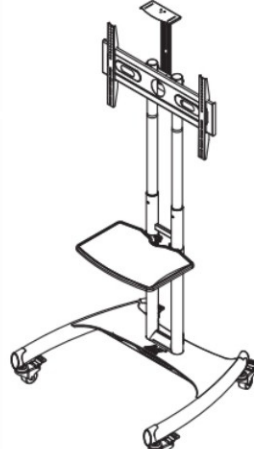
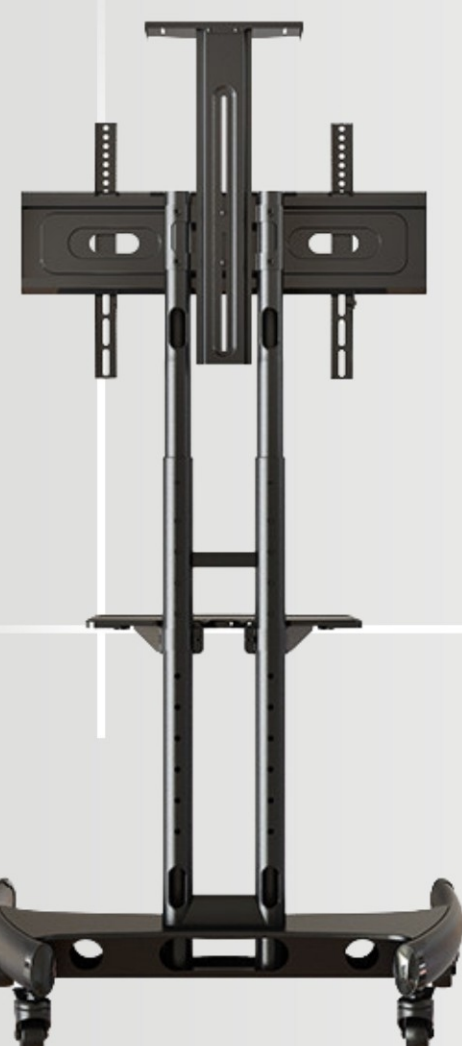


Whether you are looking for a large plasma TV stand for your limited living room, or can not find best way to setup your LED, LCD TV or display in meeting room, exhibition room, restaurant, here maybe it is your best selection. This is the modular designed light weight mobile display stand comes in black powder coat gives you a brand new looked with 2 heavy duty poles to give you height adjustment from 1030mm(40.5") to 1530mm (60.2").

It comes with standard accessories like camera tray and AV accessories shelf. Its unique and convenience TV height adjustment by spring plunges; Cable management designed; Security padlock designed to prevent loss of TV are the most good features and selling points to you and your buyers.

It is designed carried up to 100 lbs(45.5kg) or Maximum 60" flat panel screen with 4 heavy duty braked caster wheels installed. This universal seamless black steel TV cart offers the most complete mobile solution for any application. It can meet the needs and demands at trade shows, in the boardroom, or in classrooms. It comes with theft prevention, cable management, height adjustable video and A/V shelves, and many other features.

most TV units from 32"-65" and up to 100 lbs
VESA compliant from 200x200mm to 500x800mm
TV height can be adjusted in 2" increments from 40.5" up to 60"
Landscape viewing mode only
2" Precision caster brake wheels for a smooth roll.
Cable Management system
height adjustable video shelf for video conferencing
height adjustable A/V shelf (max weight of 10 lbs.)



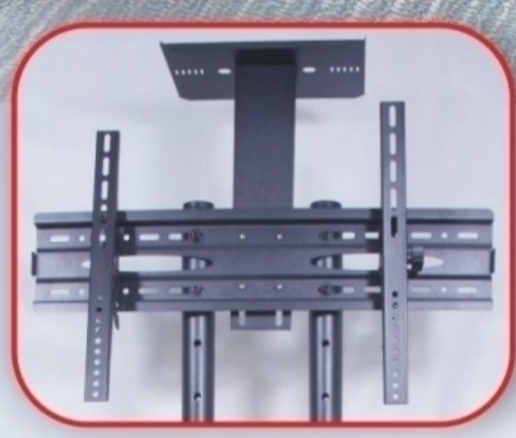
UNIVERSAL VIDEOCONFERENCING / PLASMA FLOOR STAND

VCT 01

BLACK



- Movable flat panel tv mount
- With 2 shelves, Lower for VC equipment & upper shelf for camera
- Support LCD upto : 32"-55"
- VESA size : 710*440mm
- Max height : 5 feet from TV center to floor
- Height of TV can be adjustable
- 4 locking Wheels which allows easy movement
- Load Bearing : 35 kg
- Color : Black



Adjustable mount to support 32" - 55" LCD's & camera shelf

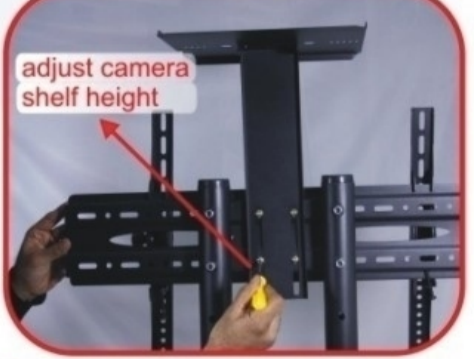
Adjustable Camera shelf interactive meetings and presentation.



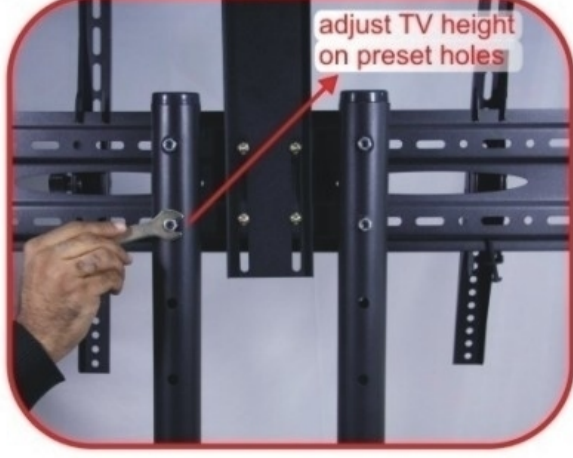
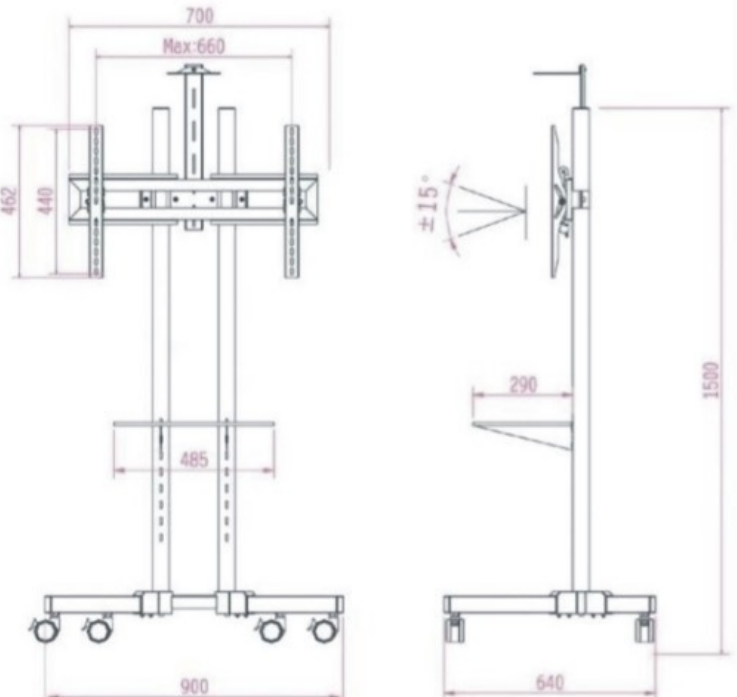
Height adjustable lower shelf for VC equipments



4 High grade lockable castors



adjust camera shelf height



adjust TV height on preset holes

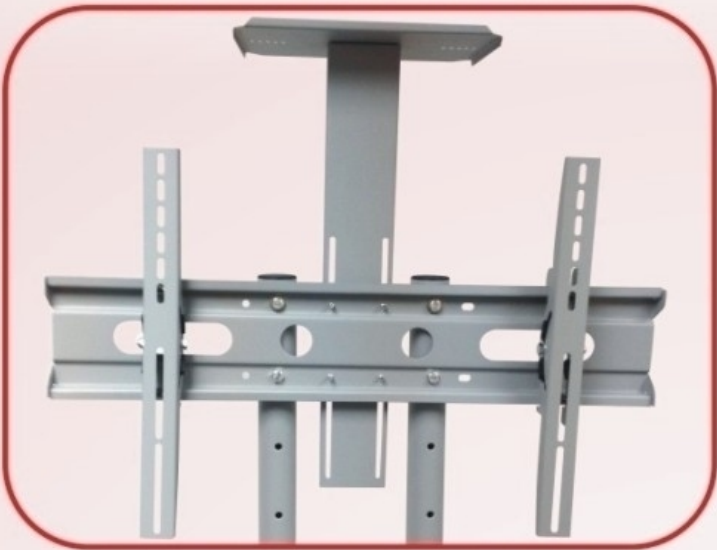
MATCH YOUR ESTHETICS CHOOSE BETWEEN SILVER AND BLACK

SILVER

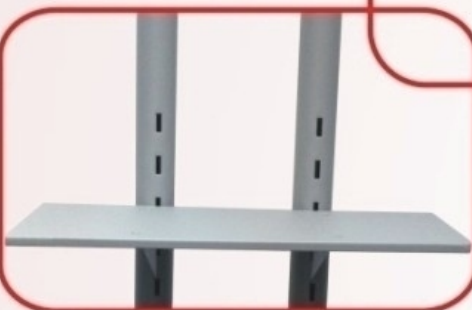


Adjustable Camera shelf interactive meetings and presentation.

Adjustable mount to support 32" - 55" LCD's & camera shelf



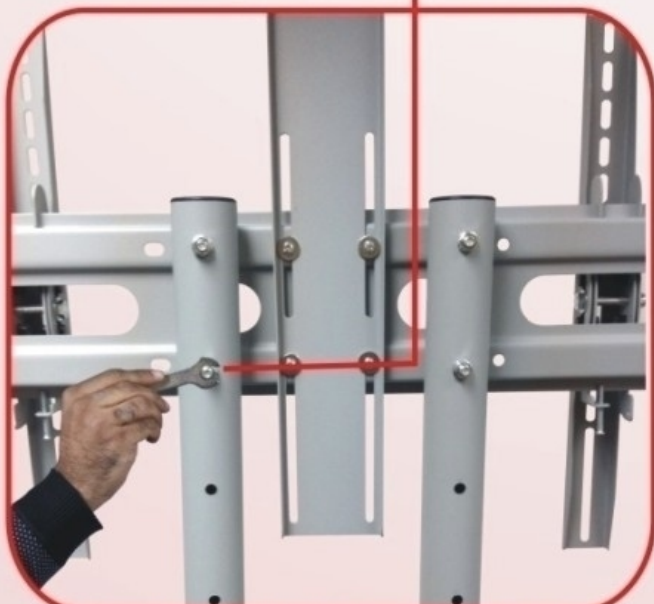
Height adjustable lower shelf for VC equipments



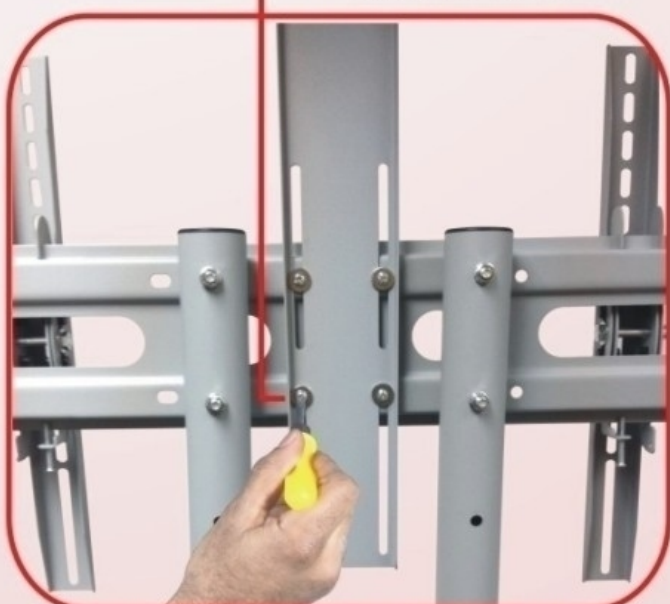
4 High grade lockable castors



Adjust TV height on preset holes



Adjust height of camera shelf



LCD TV Floor Stand

Rk02



RK02 is an extremely sturdy universal aluminum TV cart that accommodates medium sized LED, LCD, and Plasma TV sets. It offers the most complete mobile display solution for any application. This mobile cart is your best choice for video conferencing or doing presentations at trade shows, in the boardroom, or in the classroom.

Supports TVs from 32"-72" and up to 75 kg tv.

VESA compliant from 200x200mm to 400x600mm

Continuous adjustable screen height from 32" up to 65"

Tilt angle adjustments tv bracket for 15 degree tilting

Landscape viewing only.

height adjustable standard camera shelf above TV

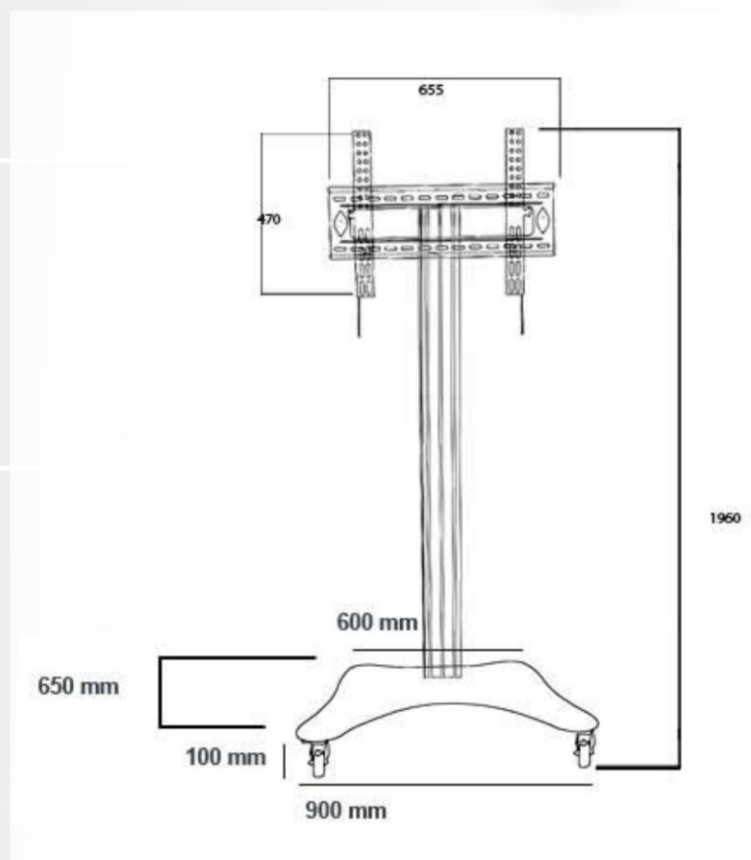
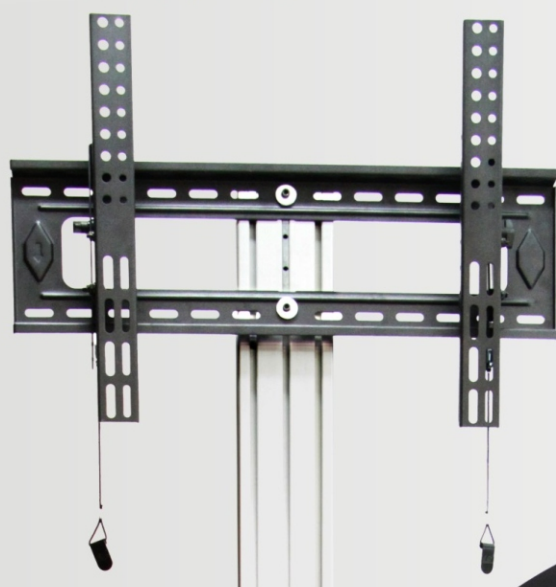
height adjustable A/V shelf below tv, can bear 10 kg weight

Cable Management system

Precision 3" swivel caster brake wheels for great mobility

Aluminium Pillars and rigid heavy and sturdy base

Optional accessories are :Rotating bracket (for landscape and portrait viewing), CPU shelf, extra AV shelf, Basket, laptop cabinet,





32 - 65" MOBILE TV CART

RJT09



Recommended TV Size: 32"-65"
TV back pitch(VESA): MAX 600X400
MM
Distance from the wall: 110-135 CM
Maximum load: 40KG
Up and down to adjust the angle :
 $\pm 12^\circ$
Application area : Homes, schools,
hotels, hospitals, etc.
Material : Iron
Color : Black, white, silver



32 - 80"

MOBILE TV CART

RJT0A



Recommended TV Size: 32"-80"
TV back pitch(VESA): MAX 800X600 MM
Distance from the wall: 155 CM
Maximum load: 50KG
Application area : Homes, schools, hotels, hospitals, etc.
Material : Quality cold-rolled plate
Color : Black and white silver
Gross Weight : 22.5 KG



RIFE TECHNOLOGIES

Delhi Office:

362, Vardman Plaza - II, J-Block, Community Centre, Rajouri Garden, New Delhi - 110027

☎ (011) 2516-7799, 2592-5555
✉ sales@rifeindia.com
🌐 www.rifeindia.com

HongKong Office:

Ergonomic Corporation (Hong Kong) Limited. 2nd floor Eton tower 8 , Hysen Avenue Causeway, Hongkong.

☎ 852 - 61819896
✉ rishi@ergohongkong.com, ergohongkong@gmail.com
🌐 www.ergohongkong.com