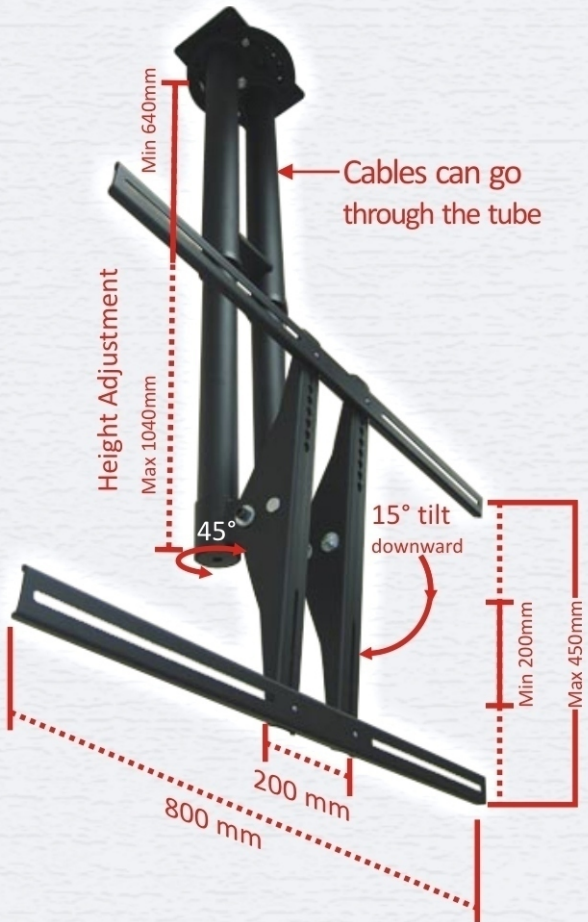




Ergonomic Corporation (Hong Kong) Ltd.

ADJUSTABLE LCD TV CEILING MOUNT





Cables can go through the tube

Height Adjustment

Min 640mm

Max 1040mm

45°

15° tilt downward

Min 200mm

Max 450mm

200 mm

800 mm

ADJUSTABLE LCD TV CEILING MOUNT R8700B

Firmly fix on the ceiling.

It provide an adjustable tube.

Support weight upto 50kgs.

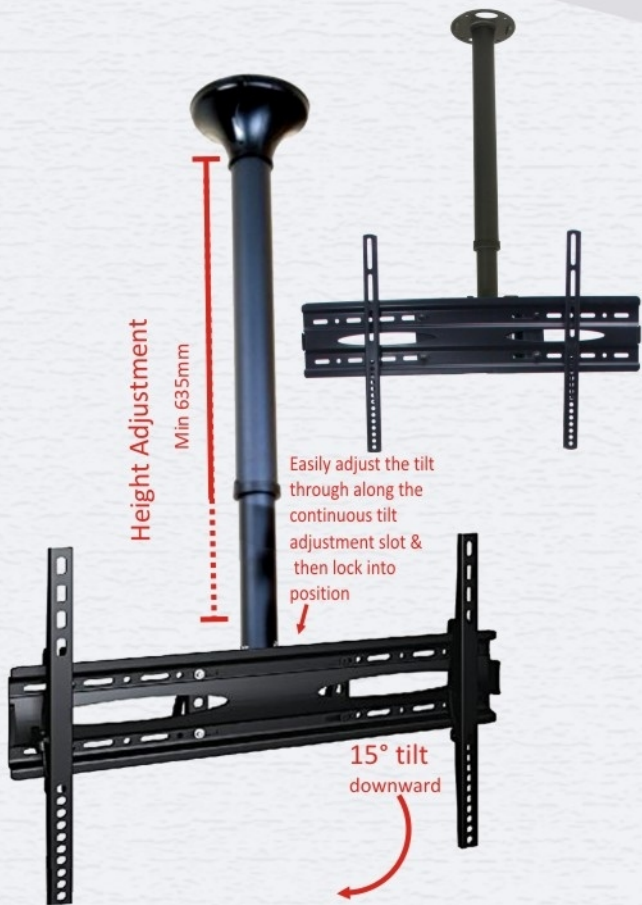
Support Screen upto 27" to 60".

Cables can go through the tube.

TV can be swivelled left or right for 45° and tilted downward 15°.







ADJUSTABLE LCD TV CEILING MOUNT R8720B

Firmly fix on the ceiling.

It provide an adjustable tube.

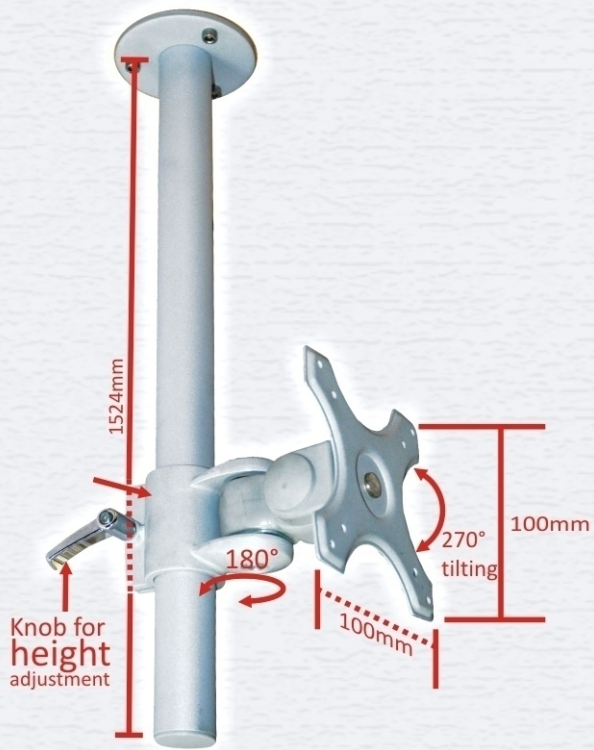
Support weight upto 35kgs.

Support Screen upto 65".

Product maximum length : 1500mm

minimumlength : 920mm





ADJUSTABLE CEILING MOUNT FOR MONITORS CM-S

Firmly fix on the ceiling.

It provide an adjustable tube.

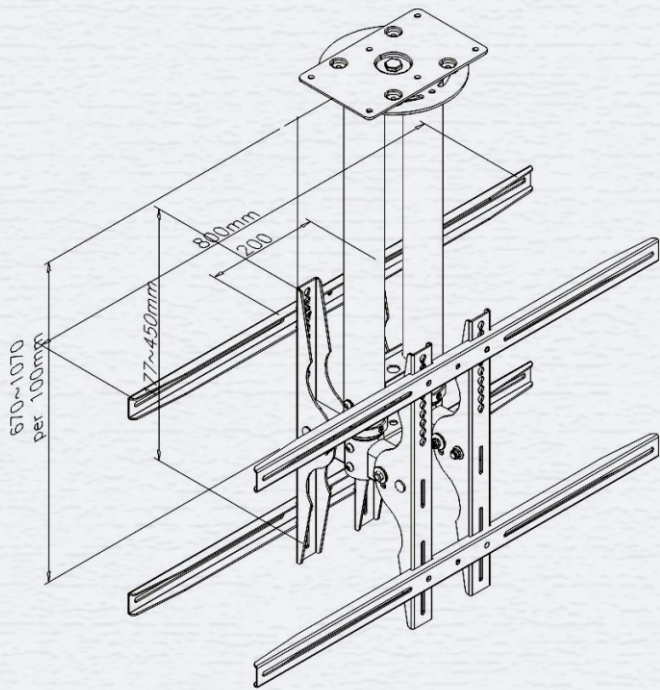
Support Screen upto 15"-24".

Monitor can be rotate landscape to portrait.

Vesa 75mm and 100mm.

TV can be swivelled left or right for 180° and tilted 270°.





ADJUSTABLE BACK TO BACK CEILING MOUNT

R8710B

Firmly fix on the ceiling.

It provide an adjustable tube.

Support Screen upto 32"-60".

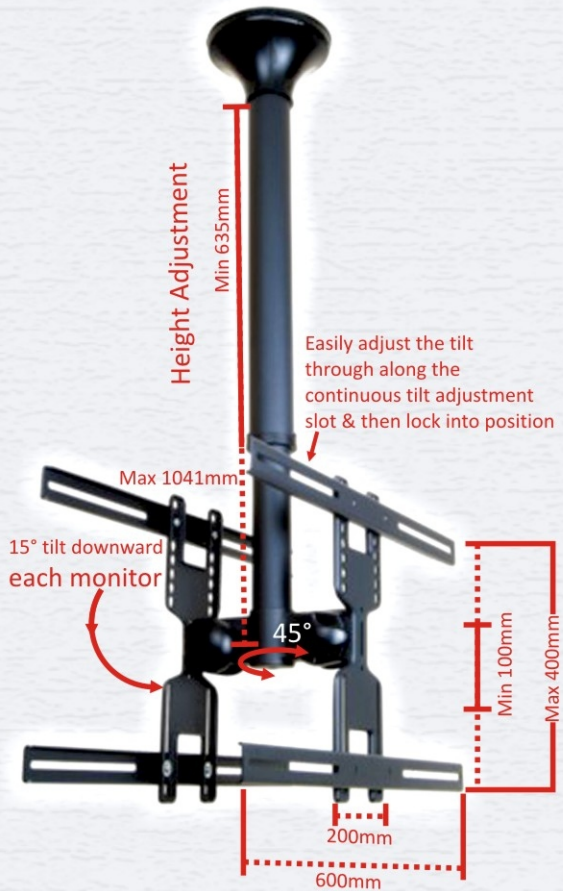
Cables can go through the tube.

Support weight upto 50kgs for each screen.

Vesa minimum 200 x 200 to Vesa Max 800 x 450.

TV can be swivelled left or right for 45° and tilted downward 15°.





ADJUSTABLE BACK TO BACK CEILING MOUNT
R8740B



Firmly fix on the ceiling.

It provide an adjustable tube.

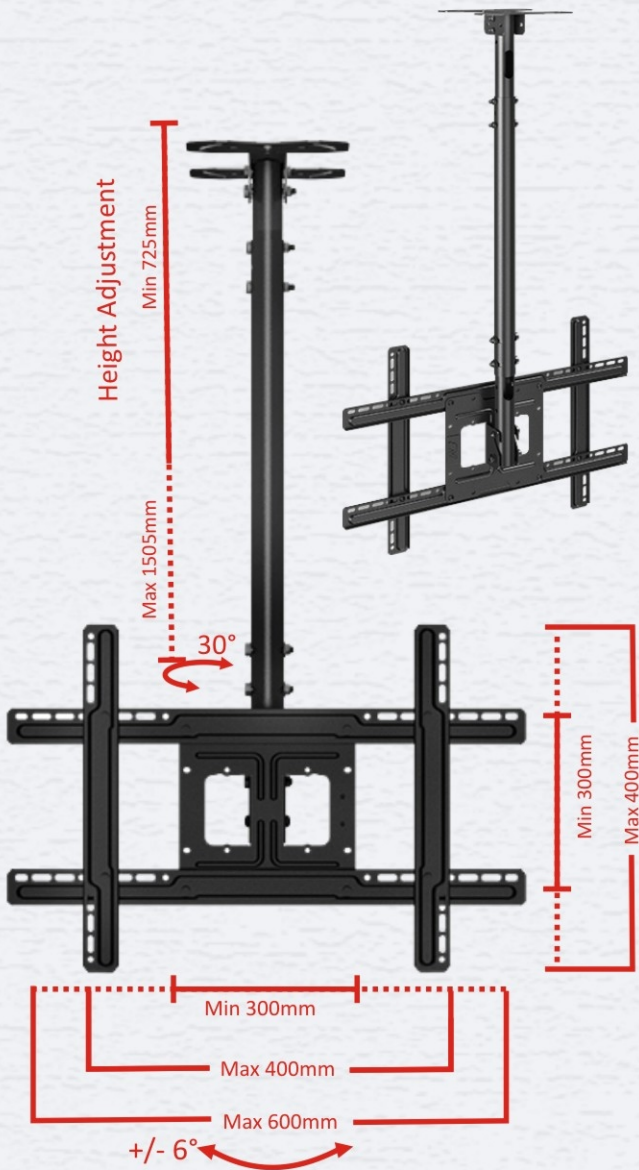
Support Screen upto 26"-42".

Cables can go through the tube.

Support weight upto 35kgs for each screen.

Vesa minimum 200 x 200 to Vesa Max 600 x 400.

TV can be swivelled left or right for 45° and tilted downward 15°.



ADJUSTABLE LCD TV CEILING MOUNT R560

Fits most 32-57" Flat Panel LED , LCD TV.

VESA :100*100~600*400mm

Tilt: -5°~ +15°

Roll: -30°~+30°

Load capacity : 150lbs(68.2 kg)

Material : SPCC

Surface treatment: Powder painting coating finished.



* With our nice looking and high-quality surface powder coating finished

* Advanced technology design make veiwing angle easy and convenient.

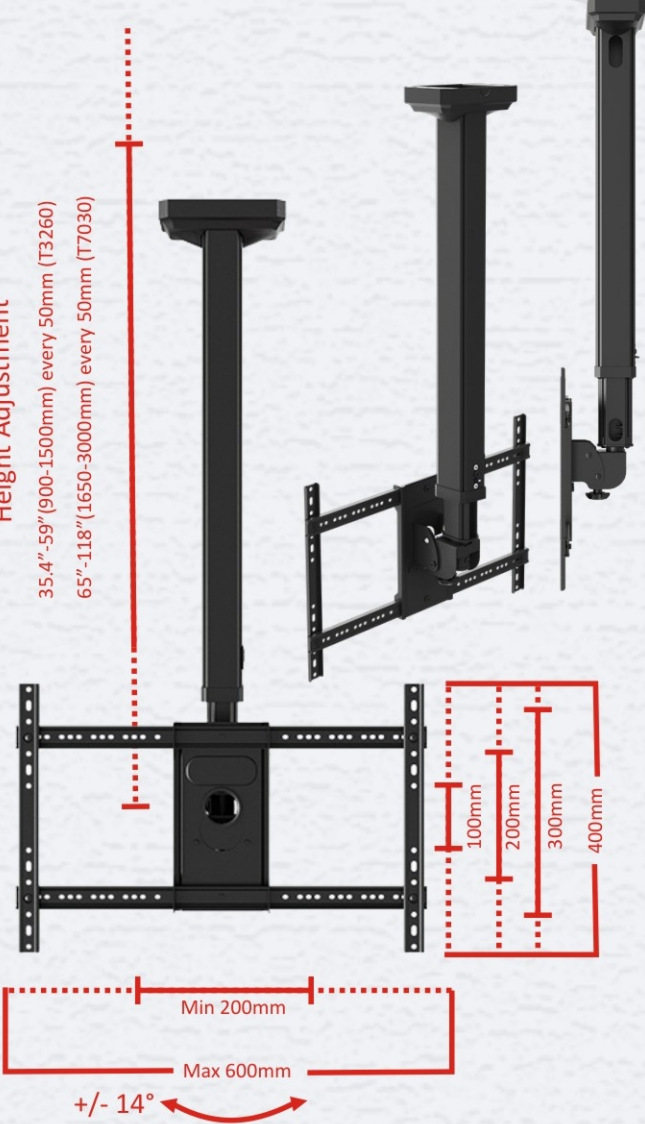
* Neat and tidy cable management design make your cable connections easy and trouble free as the poles conceal all wires and cables inside .

* The Heavy gauge steel construction provides our loading capacity up to 150lbs (68.2kg)

* The mount height adjustable from 28.5"(725mm) to 59.3"(1505mm).

Height Adjustment

35.4"-59" (900-1500mm) every 50mm (T3260)
65"-118" (1650-3000mm) every 50mm (T7030)



ADJUSTABLE LCD TV CEILING MOUNT R260

Fits most 32-60" Flat Panel LED , LCD TV.

VESA :200*100~600*400mm

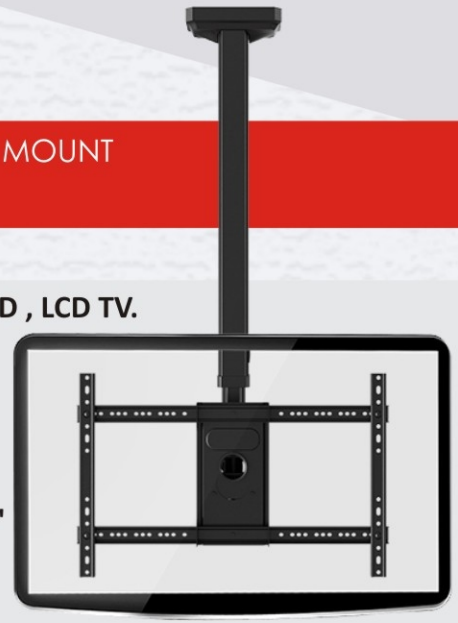
Tilt angles: -2°~ +20°

Drop length height from 35.4"
to 59" (900 to 1500mm)

Horizontal swivel : 360°

Load capacity : 100lbs(45.5 kg)

Material : Alumium alloy withanodizing finishing



- * Drop length height setting by means of push and lift up from 59" to 35.4" (1500 to 900mm) in step of 2" (50mm)
- * Knobs turning to set your desired viewing angles to avoid glare reflection
- * Round about horizontal swivel allowed you to set projection at any directions
- * Maximum capacity is 100 lbs (45.5kg) and for flat panel TVs 32" to 60"
- * Integrated cable managment system hides cables inside telescopic alumium poles

RIFE TECHNOLOGIES

Delhi Office:
362, Vardhman Plaza - II, J-Block, Community Centre, Rajouri Garden, New Delhi - 110027

☎ (011) 2516-7799, 2592-5555
✉ sales@rifeindia.com
🌐 www.rifeindia.com

HongKong Office:
Ergonomic Corporation (Hong Kong) Limited. 2nd floor Eton tower 8 , Hysen Avenue Causeway, Hongkong.

☎ 852 - 61819896
✉ rishi@ergohongkong.com , ergohongkong@gmail.com
🌐 www.ergohongkong.com