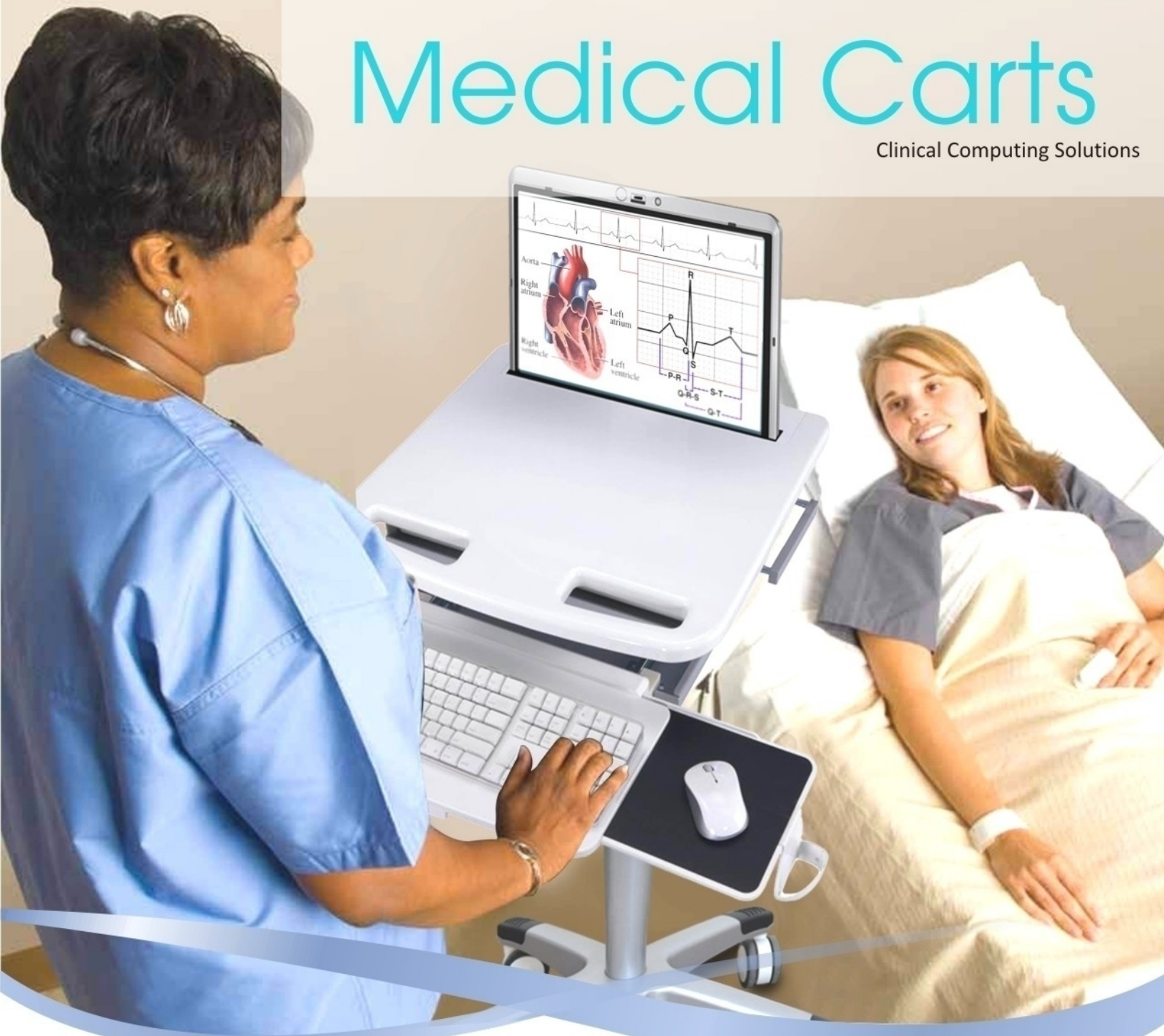




# Ergonomic Corporation (Hong Kong) Ltd.

## Medical Carts

Clinical Computing Solutions



We are one of the leading manufacturers and suppliers of a wide range of Trolley. These are fabricated using premium quality raw materials and advanced technology. We also check our range on the various quality parameters that ensures its efficiency and quality. We are engaged in offering a superior range of Industrial Trolley to our clients at competitive prices. These are available in different specifications and widely used in various industries. We also provide personalized solution to our clients as per their requirement. Moreover, we are committed to meet the bulk demand of our clients within the committed time frame.

Our carts are designed with the healthcare setting clearly in mind; with a range of features expressly integrated to ease workloads for nurses and other healthcare professionals, as well as to enhance patient care. medical carts can be used in a variety of applications that include Charting and EMR, Medication Dispensing, and Nursing Education. Our carts are engineered to meet the exacting requirements of the healthcare industry, and built tough enough to withstand daily use in the most demanding environments. Medical Carts are used to facilitate the safe, efficient delivery of medications to the patient. Different levels of security are available including dual credential access, access rights for a specified number of people. These are security products for the healthcare industry.

These medical carts improves nurse workflow by providing organized, secure storage and capability to reconfigure drawers on the go.

- Innovative features
- Ergonomic design





# MEDICAL LAPTOP CART hsc-01

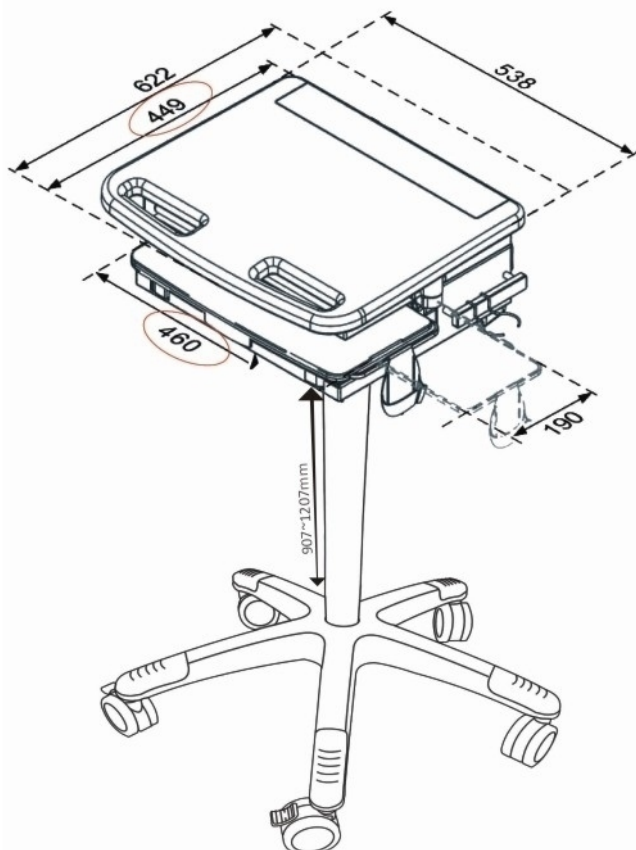
Allowing the clinicians to take care the patient at the point of care. Height adjustable to accommodate users of sitting and standing work postures. Slide-out keyboard tray includes left to right sliding mouse tray. Easy to clean design helps prevent infection. Organized cable management gives a neat look Integrate with accessories of medical equipments for numerous applications.



- The handles makes it easy to move
- High performance castors, 2 locking
- Height adjustment with knob
- Innovative features
- Ergonomic design

Protects the laptop keyboard from spill over of medicines and supportable handles to move trolley easily

|                                    |   |
|------------------------------------|---|
| <b>Mounting Option</b>             | Laptop cart   |
| <b>Weight Capacity</b>             | 1~5 kg (2.2~11 lbs)                                       |
| <b>Height Adjustment Range</b>     | 907~1207mm ( From the ground to the top of work surface ) |
| <b>Main Material</b>               | Aluminum alloy / Stainless steel / ABS(VO)                |
| <b>Laptop Compartment</b>          | 415(L) X 300(W) X 39.5(H) mm                              |
| <b>Work Surface</b>                | 538(W) X 449(D) mm with integrated forward-facing handles |
| <b>Keyboard/ Mouse Tray</b>        | Slide out Keyboard/ Mouse Tray                            |
| <b>Keyboard Tray</b>               | 460(W) X 220(D) mm  |
| <b>Mouse tray inner dimensions</b> | 205(W) X 180(D) mm  |
| <b>Accessory</b>                   |   |
| <b>Scanner Holder</b>              | Available   |
| <b>Mouse Holder</b>                | Available   |
| <b>Storage Basket</b>              | 308(L) X 100(W) X 190(H) mm                               |
| <b>Caster</b>                      | 5 catsers, with 2 locking                                 |



Mouse Tray with mouse holder



Barcode scanner holder



Locking system (locks laptop in cart)



Optional Utility basket with cord hooks

## MEDICAL LAPTOP CART hsc 02

An ergonomically designed height adjustable laptop cum printer cart that delivers point-of-care technology improving workflow and increasing accuracy. This special worksurface provides security to the laptop by locking it into place during use. Manual height adjustment with knob. Stunning looks with aluminium base and poles. Rugged construction and space saving accessibility. Is perfect in any environment patient, emergency & operating rooms, labs, radiology, nurses stations wherever patient data or images need to be accessed.



|                         |   |
|-------------------------|---|
| Mounting Option         | Laptop and printer  |
| Weight Capacity         | 25 kg   |
| Height Adjustment Range | 907~1207mm ( From the ground to the top of work surface ) |
| Main Material           | Aluminium alloy / Stainless steel                         |
| Shelves                 | Two shelves provided                                      |
| Basket                  | 1 Utility basket with cord hooks for files                |
| Caster                  | 3" diameter dual wheel medical caster<br>2 with brakes    |



Adjustable shelf for optimal view angle



Height adjustment knobs for shelf



Utility basket with cord hooks



High performance castors, 2 locking



Spinning knob for height adjustment



## MEDICAL CART FOR LCD / ALL IN ONE hsc 03

Accommodate users in sitting and standing positions. Spring Pressure Operated Height Adjustment whenever you want. complete ergonomic solution—get comfort during prolonged computing Easily stored and ready to roll—unassigned work pods for those who work infrequently “in-office”



The handles makes it easy to move



High grade medical castor with lock



Storage basket for Patient file and B.P. machine



Concealed tray



Mouse holder/ scanner gun holder



|  |   |
|--|---|
| Height adjustment range for LCD and worksurface                                      | 400mm   |
| Worksurface height   | 890mm-1290mm  |
| Large , smooth ABS worksurface dimensions  | 533mm (L) X 455mm(W)  |
| Drawer inner dimensions  | 379mm (L) X 298.5mm (W) X 84mm (H)  |
| Keyboard tray dimensions   | 440mm (L) X 256mm (W)   |
| Mouse tray dimensions  | 208mm(L) X200mm (W)   |
| LCD Column dimensions  | 386mm (L) X 80mm (W) X 64.5mm (H)<br>Height adjustable with the help of internal lift construction.   |
| LCD hanger height adjustment for LCD Pivot   | 13cm; 20 ° tilting for LCD; Applied for 22 inch LCD display   |
| Base   | PA6 + ABS cover   |
| Storage Basket   | Available   |
| Caster   | High grade front -locking silent medical caster   |
| Accessories for different functions  | Drawers,lattice drawers for medicines,doc box, other device (eg projector,printer) tray, keyboard mouse tray, LED Lamp for keyboard in evening. |
| Battery and UPS systems inside the base; White LEDs provide light over keyboard tray |   |

### 1. Integrated worksurface

The integrated worksurface moves with you. Its generous size accommodates whatever you need on hand: dimensions =53.3x 45.5cm. Its durable ABS creates an extremely stable surface.

### 2. Height-Adjustment Brake

To re-adjust the worksurface height (e.g. move from a sitting to a standing position), one simply squeezes the hand-brake lever, which is conveniently located at the side of the worksurface, while simultaneously lifting for proper placement. Releasing the lever then re-establishes the brake.

### 3. Spacious Keyboard Tray

A spacious keyboard tray ensures wrists remain in a neutral position during data entry—avoid repetitive-stress injuries while increasing comfort and productivity. The expansive surface accommodates virtually any keyboard, large or small, along with a mouse tray device and wrist rest. Retracts under the worksurface when not in use for compact storage. Mouse Tray can be hidden by sliding in.and can be on left of the keyboard and right of the keyboard.

### 4. Advanced Cable Management

The cable winding bracket along the main column manages the main power cord, and the system is replete with cable ties and wrapping for safe and clean routing of cables throughout the system.

### 5. An Efficient, Mobile Base + Silent Casters

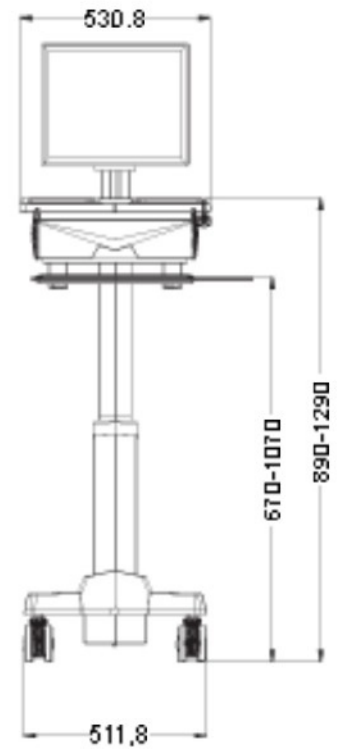
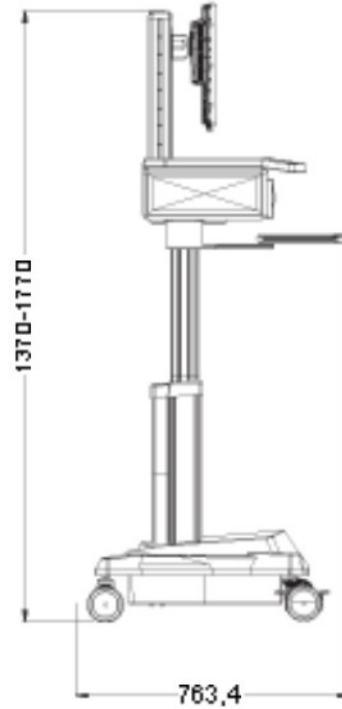
Premium four-inch silent casters easily glide through doorways silently and over thresholds when you need to relocate, and then lock in place when you're ready to work.

### 6. Battery management screen

There is battery management screen on the worksurface. TO on/off the power supply for PC.And voice for low battery.

### 7. LED Lamp above keyboard tray

LED Lamp above keyboard tray make working in evening or dark light convenient.



## SPRING PRESSURE HEIGHT ADJUSTMENT CAN WORK IN SIT AND STANDING POSITION



### Why sit-stand required in workstation ?

Change from a sitting to a standing position whenever you want. This workstation moves your keyboard and display in one simple motion, making computing comfortable for prolonged periods. This work style encourages healthy movement throughout the day.

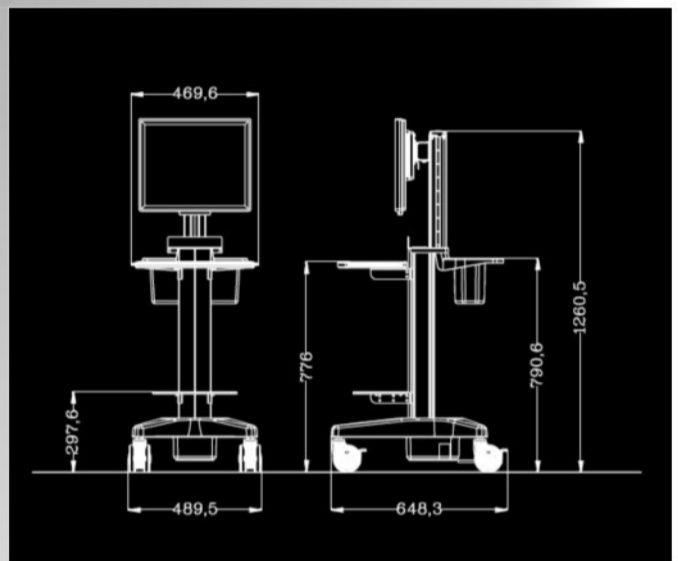


## SIMPLE COMPUTER CART / ALL IN ONE

### HSC-03-a



|   |   |
|---|---|
| Concise and compact All-in One Computer     | for 22"   |
| Keyboard /mouse tray height                 | 776mm   |
| Keyboard tray dimensions                    | 440mm (L) X 256mm (W)                           |
| Mouse tray dimensions                       | 208mm(L) X200mm (W)                             |
| Back storage bin with handle, handle height | 790.6mm   |
| Printer tray dimensions                     | 310mm(L) X 199mm(W) , height 297.6mm            |
| Cart dimensions                             | 648.3mm(L) X 489.5mm(W) X 1260.5mm(H)           |
| Storage Basket                              | Available                                       |
| Caster                                      | High grade front -locking silent medical caster |

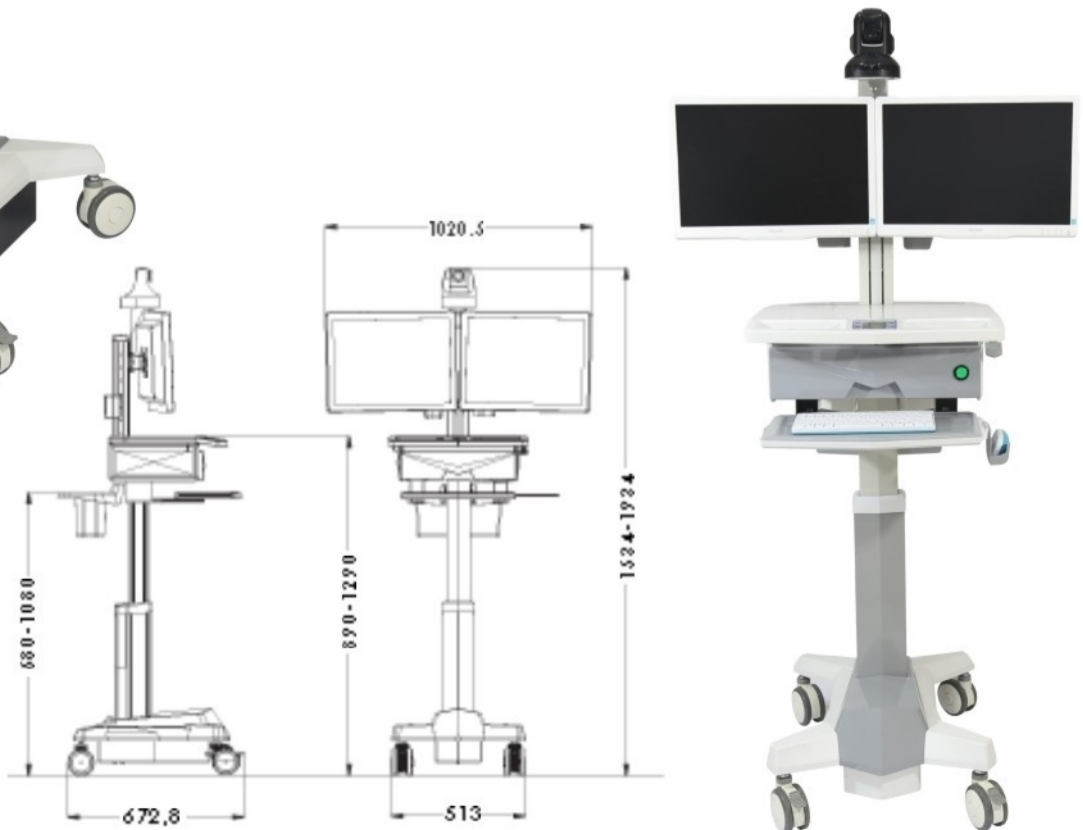


## MEDICAL CART FOR DUAL LCD / ALL IN ONE

### HSC-03-b



|  |   |
|--|---|
| Height adjustment range for LCD and workspace        | 400mm   |
| Total height   | 1534mm - 1934mm                                 |
| Keyboard tray dimensions                             | 440mm(L) X 256mm(W)                             |
| Mouse tray dimensions                                | 208mm(L) X200mm (W)                             |
| Applied for 2 LCD                                    | 21"   |
| Workspace height                                     | 890- 1290mm                                     |
| ABS workspace dimensions                             | 533mm(L) X 455mm(W)                             |
| Back storage bin with handle, handle height          | 680mm-1080mm                                    |
| Storage Basket                                       | Available                                       |
| Caster   | High grade front -locking silent medical caster |
| HD 360 degree rotating webcam with remote controller |   |





# MEDICATION CART FOR LAPTOP hsc 04

This carts incorporate essential nursing features in a compact work station while ensuring medications and supplies stay organized and secure at the point of care.



1. **Adjustable height** Move from a sitting to a standing position whenever you want.
2. **Sit - Stand Height Adjustment** : Move display(s), keyboard and work surface in a single motion. Counterbalanced adjustment points allow instantaneous, tool-free re-positioning.
3. **Integrated Work surface** : The integrated work surface moves with you. Its generous size accommodates whatever you need on hand: dimensions=53.3x45.5cm. Its durable ABS creates an extremely stable surface.
4. **Height-Adjustment Brake** : To re-adjust the work surface height (e.g. move from a sitting to a standing position), one simply squeezes the hand-brake lever, which is conveniently located at the side of the work surface, while simultaneously lifting for proper placement. Releasing the lever then re-establishes the brake.
5. **A Spacious Keyboard Tray** : ensures wrists remain in a neutral position during data entry—avoid repetitive-stress injuries while increasing comfort and productivity. The expansive surface accommodates virtually any keyboard, large or small, along with a mouse tray device and wrist rest: Retracts under the work surface when not in use for compact storage. Mouse Tray can be hidden by sliding in .and can be on left of the keyboard and right of the keyboard.
7. **An Efficient, Mobile Base Premium four-inch silent casters** : easily glide through doorways silently and over thresholds when you need to relocate, and then lock in place when you're ready to work.
8. **Accessories for different functions** : Drawers, lattice drawers for medicines, doc box, other device (eg projector, printer) tray, keyboard mouse tray, LED Lamp for keyboard in evening.



The handles makes it easy to move



High grade medical castor with lock



Storage basket for Patient file and B.P. machine



Height adjustment switch



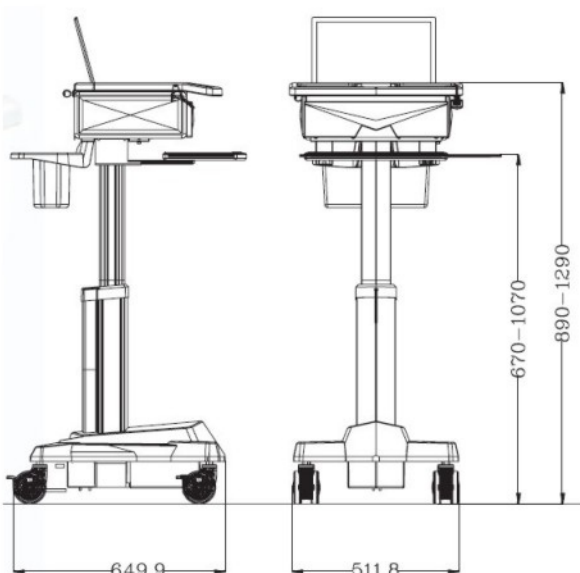
Medicine Drawers



Locking system (locks laptop in cart)



|   |   |
|---|---|
| Height adjustment range for worksurface   | 400mm   |
| Worksurface height  | 890mm-1290mm  |
| Large, smooth ABS worksurface dimensions  | 533mm(L) X 455mm(W)   |
| Laptop cabinet dimensions with external 2-Outlet power trip and main power cable at the cart baseApplied for laptop | 430mm(L) X 346mm(W) X56.5mm(H)<br>15" laptop                  |
| Internal dimensions for drawer  | 379mm(L) X 298.5mm(W) X 84mm(H)                               |
| Keyboard tray dimensions  | 440mm(L) X 256mm(W)   |
| Mouse tray dimensions   | 208mm(L) X 200mm(W)   |
| Base  | PA6 + ABS cover   |
| Accessories   | Drawers for medicines, Doc box, LED Lamp for keyboard in eve. |
| Caster  | High grade medical caster                                     |





## MEDICAL MOBILE CART hsc-d

The HSC-D Medical laptop cart, is a mobile workplace for laptop, keyboard and mouse. This laptop cart is a great choice for space saving placement or when wall-ceiling mounting or desk placement is not an option. This cart stretches your investment by sharing a workplace over multiple rooms like hospitals, Get optimal position for both standing and seated users, in any part of your location. HSC-D laptop cart increases the use of computing in numerous environments like hospitals, offices, schools, workshops and so on. By using an ergonomic cart neck- and back complaints can be avoided. The cart is easily height adjustment conceals and routes cables. Hide your cables top keep the workplaces nice, tidy and easy to clean. HSC-D holds your laptop in a secure lockable cabinet and even hides your cables. The heavy duty casters allow the stand to move it to where you need it. Easily roll this cart through doorways and over thresholds. Different mice and keyboards can be used on the adjustable keyboard and mouse holder. The total weight capacity of this cart is 50 kilogram. Open - architecture design accommodates most laptops including widescreens easing future hardware deployments and upgrades. Speedy assembly and installation.



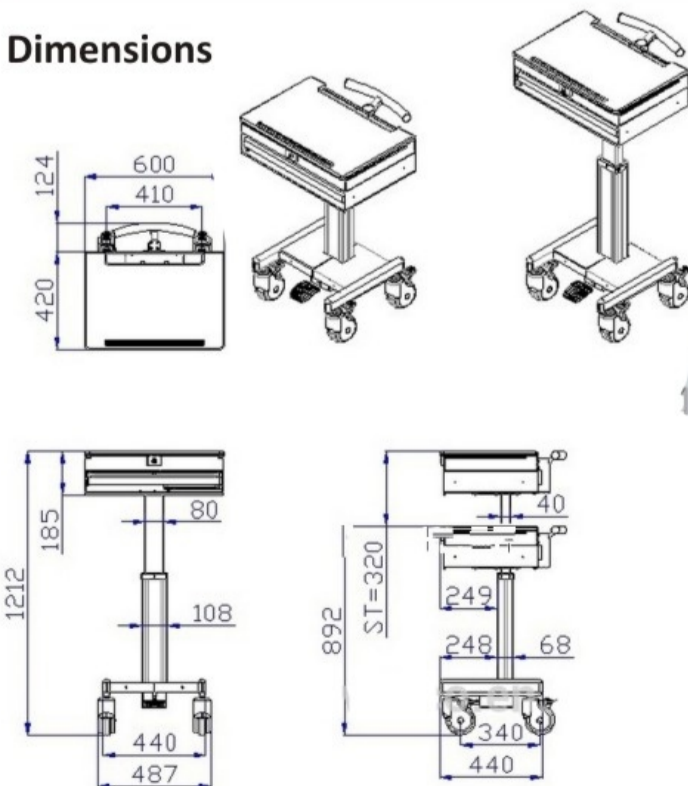
|              |                        |
|--------------|------------------------|
| Color        | Grey                   |
| Material     | Steel, Aluminium alloy |
| Max. weight  | 5 kg.                  |
| Height Range | 86 - 120 cm.           |
| Width        | 60 cm.                 |
| Depth        | 42 cm.                 |

### Specification

1. Locks your laptop in a drawer for anti-theft
2. Accommodates widescreen laptop with 17" screen
3. Height is adjustable, working area is comfortable for sitting or standing users.
4. Pull-out keyboard storage and mouse stage can be on left or right side.
5. Organizes the cable management in place to have a clear look.
6. This model is fitted with wheels for easy movement and 4pcs with lock while working.
7. Help to improve workflow efficiency and upgrade patient care.
8. Max loading: 0-5 kgs



### Dimensions

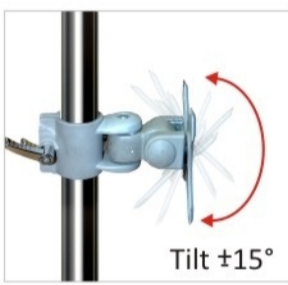


**Barcode hanger can be attached to it on side of cabinet**



# MEDICAL COMPUTER CART hsc 13

Telescopic Sit or Standing operation Height Adjustable. Sit or Standing Pole LCD computer cart. Easy height & rotation adjustment of Ample shelf (laptop, printer, work space ). Sliding mouse tray, left & right. Innovative and adjustable Mobile Computer Trolley for doctors and nurses. Portable with castors and easy-to-maneuver healthcare. File Basket provided at back for patient files. Helps promote technology along with care in hospital. Heavy duty lockable castors provided.



Easy to adjust angle & height level of mount

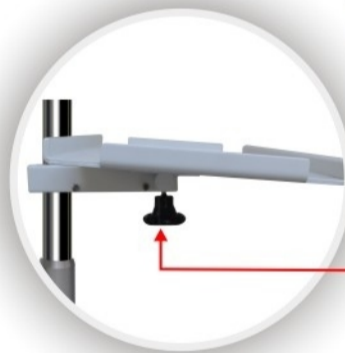
Tilt  $\pm 15^\circ$



Swivel  $180^\circ$

|                         |                           |
|-------------------------|---------------------------|
| Cable management system | Available                 |
| Color                   | Silver                    |
| VESA Compatible         | 75mm and 100mm            |
| Holds Monitor           | 17" to 24" up to 25lbs.   |
| Optional Part           | Basket                    |
| Caster                  | 5 casters, with 2 locking |

- Pivots  $20^\circ$  up /  $10^\circ$  down for monitor.  
 - Monitor can be tilted left, right up & down. you can also rotate monitor from portrait to landscape on the fly.



Knob adjustment for keyboard tray

Easy to Move on Imported high grade medical white castors

Knob adjustment for pole height level



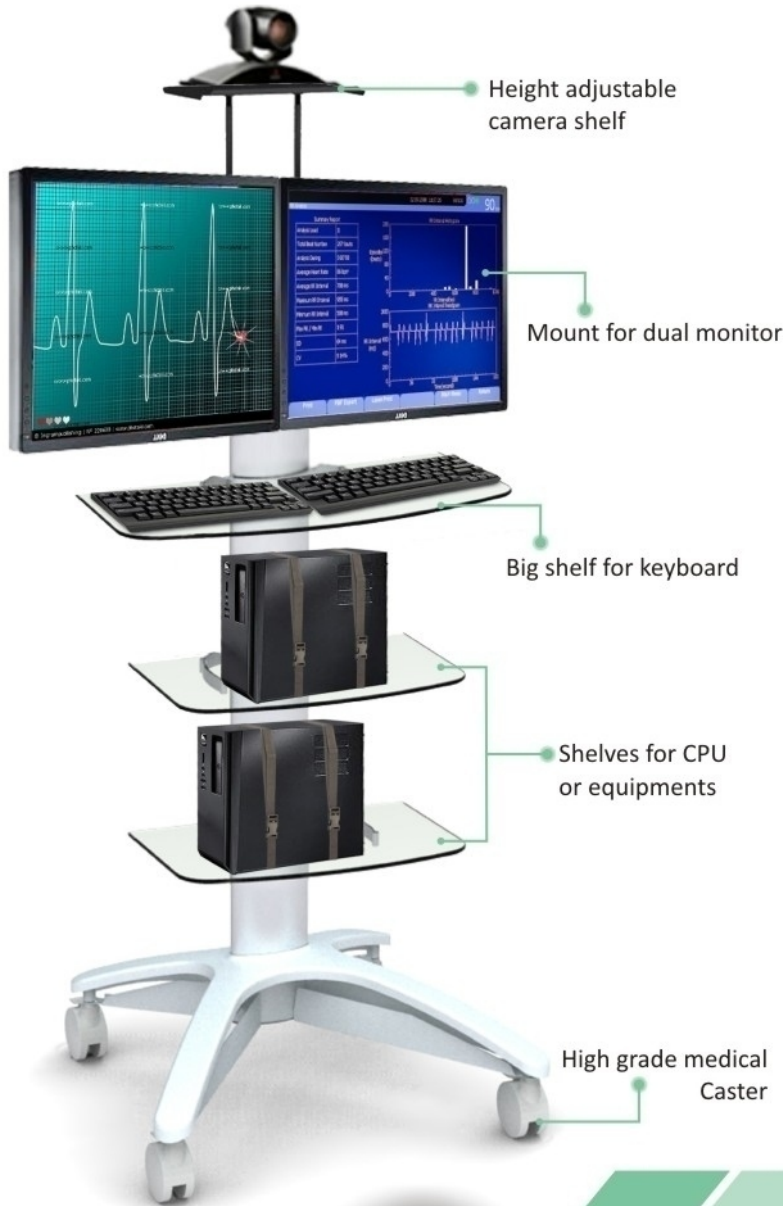
Knob adjustment for pole height level

Imported high end black casters



# DUAL MONITOR MEDICAL CART hsc 05

Accommodate users in sitting and standing positions. Gas Spring Operated Height Adjustment. Premium roll castors support the cart maneuverability on all floor with ease. Material options: Aluminum alloy. Rubber covering angles protect user and passerby from hit. Integrate with accessories of medical equipments for numerous applications. Allowing the clinicians to take care the patient at the point of care.



Adjustable camera shelf



High grade medical caster



Extra shelf can be add



Adjustable mount for optimal view angle

|                         |   |
|-------------------------|---|
| <b>Mounting Option</b>  | Dual monitors                                       |
| <b>Camera shelf</b>     | A camera shelf is on top<br>Size: 300(L) X 230(W)mm |
| <b>Keyboard</b>         | Has shelf for two keyboard                          |
| <b>Cart height</b>      | 1900mm  |
| <b>Cable management</b> | Available   |
| <b>CPU Mounting</b>     | Dual CPU mounting                                   |



## MEDICAL LAPTOP CART hsc 11

An ergonomically designed height adjustable laptop cum printer cart that delivers point of care technology improving workflow and increasing accuracy. with metal base and aluminium pole. Rugged construction and space saving accessibility. Is perfect in any environment patient emergency & operating rooms, labs, radiology, nurses stations wherever patient data or images need to be accessed.



4 socket outlet in pole

|   |  |
|---|--|
| Product Size  | 650 (L)*500(W)*1070(H) mm                              |
| Color   | Silver   |
| Max Capacity  | 40kg.  |
| Main Material   | Aluminium frame.+metal base +MDF shelf                 |
| Shelves   | One shelves provided                                   |
| Optional Parts  | CPU holder, Printer Shelf, Basket                      |
| Caster  | 3" diameter dual wheel medical caster<br>2 with brakes |
| Cable Management with socket outlet & storage box<br>Seating & standing position adjustment |  |



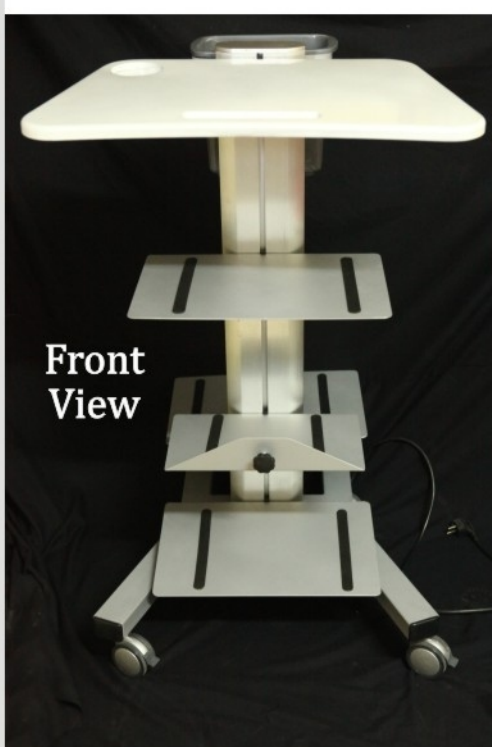
Standing position



Sitting position



High performance castors, 2 locking





## MEDICAL LAPTOP CART hsc 12

An ergonomically designed height adjustable laptop cum printer cart that delivers point of-care technology improving workflow and increasing accuracy. with metal base and aluminium pole. Rugged construction and space saving accessibility. Is perfect in any environment patient emergency & operating rooms, labs, radiology, nurses stations wherever patient data or images need to be accessed.



|   |   |
|---|---|
| Product Size  | 620(L)*500(W)*1450-1760(H)mm                                    |
| Color   | Silver  |
| Max Capacity  | 70kg.   |
| Main Material   | Aluminium column .+Metal Base +MDF Shelf for keyboard and mouse |
| Optional Parts  | CPU holder, Printer Shelf, Basket                               |
| Caster  | 3" diameter dual wheel medical caster<br>2 with brakes          |
| <ul style="list-style-type: none"> <li>- Cable Management</li> <li>- Height adjustment for Sitting and Standing position</li> <li>- Arms to add on to 2 monitor, 3 monitor , 4 monitor and 5 monitors.</li> </ul> |   |



4 socket outlet in pole



CPU Holder



Storage basket for Patient file and B.P. machine etc.



Handle



Standing position



Sitting position



High performance castors, 2 locking





# MEDICAL WORKSTATION hsc 06

An ergonomically designed height adjustable concaved base laptop cart that delivers point of-care technology improving workflow and increasing accuracy. Special designed Concaved Base increases the security of mobility. Good and convenient to transport in different Locations. Manual height adjustment with knob. Stunning looks with aluminium base and poles. Rugged construction and space saving accessibility. Perfect in any environment patient, emergency & operating rooms, labs, radiology, nurses stations or wherever patient data or images need to be accessed.

CHANGE FROM A SITTING TO A STANDING POSITION WHENEVER YOU WANT



|                         |   |
|-------------------------|---|
| Weight Capacity         | 28 kg   |
| Height Adjustment Range | 17.5"<br>Minimum 31.5"-Maximum 49.5"  |
| Basket                  | 2 Utility basket<br>Upper basket with cord hooks for files<br>Lower basket for storage or trash |
| Cable management        | Cord hooks for cable management   |
| Base                    | 23.6" diameter concaved aluminium base  |
| Caster                  | 3" diameter dual wheel medical caster<br>2 with brakes  |



Slide-in mounting plate can be used with various bottom mounted medical device



Aluminium handle for ease maneuver



Shelf for writing or sundries collecting adjustment knob



Two utility basket for storage



Knob for height adjustment & cable hook for wire management



Anti-static high grade medical caster



# MEDICAL WORKSTATION hsc 07



|                         |   |
|-------------------------|---|
| Weight Capacity         | 28 kg   |
| Height Adjustment Range | 17.5"<br>Minimum 31.5"-Maximum 49.5"  |
| Basket                  | 2 Utility basket<br>Upper basket with cord hooks for files<br>Lower basket for storage or trash |
| Cable management        | Cord hooks for cable management   |
| Base                    | 27.5" diameter aluminium base   |
| Caster                  | 3" diameter dual wheel medical caster<br>2 with brakes  |



Cable hook for wire management



Anti-static high grade medical caster



Slide-in mounting plate can be used with various bottom mounted medical device

# MEDICAL WORKSTATION hsc 08

|   |  |
|---|--|
| Weight Capacity                             | 19 kg  |
| Overall height from floor to mounting plate | 44.1"  |
| Basket                                      | 1 Utility basket with cord hooks for files             |
| Cable management                            | Cord hooks for cable management                        |
| Base  | 25" diameter ABS material base                         |
| Caster                                      | 3" diameter dual wheel medical caster<br>2 with brakes |



Cable hook for wire management



Anti-static high grade medical caster



Slide-in mounting plate can be used with various bottom mounted medical device

# MEDICAL WORKSTATION hsc 09



|                         |  |
|-------------------------|--|
| Weight Capacity         | 24.8 kg  |
| Height adjustment range | 17.5"<br>Minimum 31.5"-Maximum 49.5"                   |
| Basket                  | 1 Utility basket with cord hooks for files             |
| Cable management        | Cord hooks for cable management                        |
| Base                    | 25" diameter base                                      |
| Caster                  | 2" diameter dual wheel medical caster<br>2 with brakes |



Cable hook for wire management



Anti-static high grade medical caster

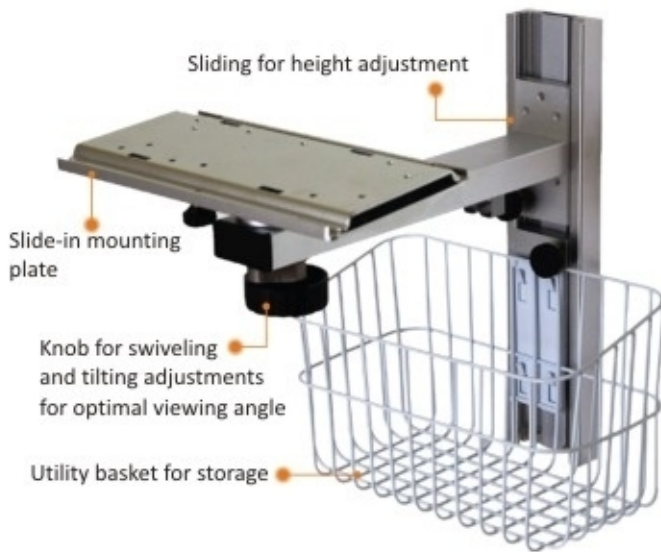


Slide-in mounting plate can be used with various bottom mounted medical device

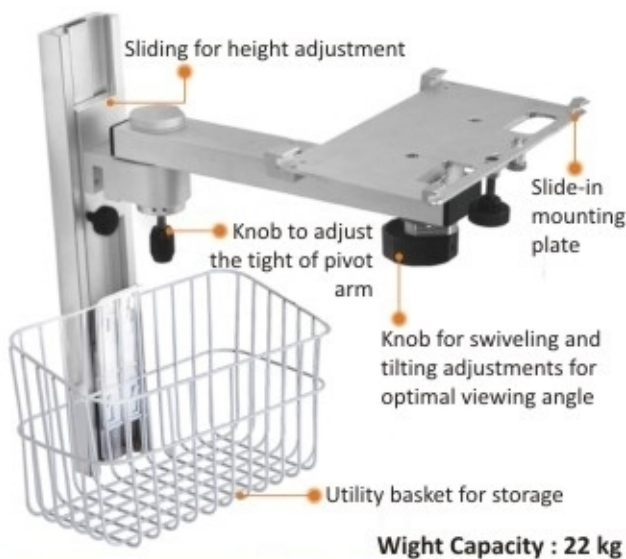


## MEDICAL MOUNTING SYSTEM hsc 010-a

An ergonomically designed height adjustable keyboard mounting system that delivers point-of-care technology improving workflow and increasing accuracy. Manual height adjustment with knob. Stunning looks with aluminium material. Rugged construction and space saving accessibility. Ideal for applications in limited space. Provides swivel and tilt adjustments for optimal viewing angle. Variable lengths of channel for different location. Decorative rail cover to make the installation clean.



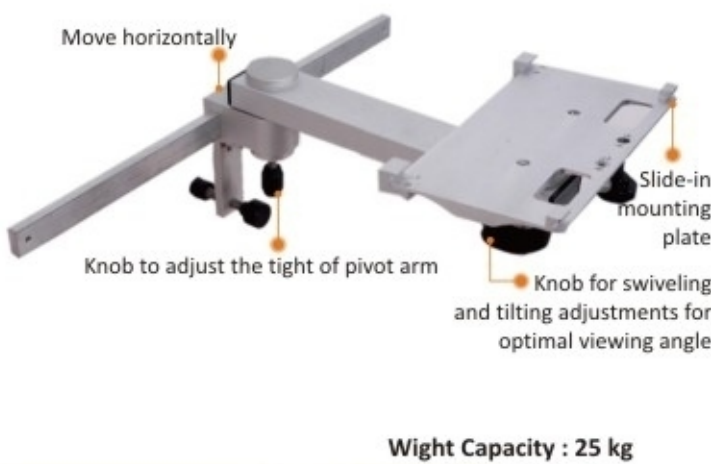
|                        |                                   |
|------------------------|-----------------------------------|
| <b>Weight Capacity</b> | 30 kg                             |
| <b>Basket</b>          | Upper basket for storage or trash |
| <b>Material</b>        | Aluminium                         |



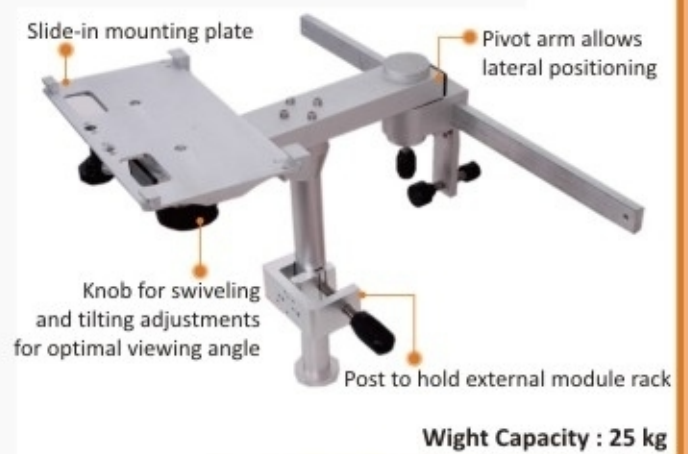
**hsc 010-b**



**hsc 010-c**



**hsc 010-d**



**hsc 010-e**

### RIFE TECHNOLOGIES

**Delhi Office:**

362, Vardhman Plaza - II, J-Block, Community Centre, Rajouri Garden, New Delhi - 110027

☎ (011) 2516-7799, 2592-5555  
 ✉ sales@rifeindia.com  
 🌐 www.rifeindia.com

**HongKong Office:**

Ergonomic Corporation (Hong Kong) Limited. Office 1003, 10th Floor, Capital Building, 6-01, Sun Wui Street, Causeway, Hongkong.

☎ 852 - 61819896  
 ✉ rishi@ergohongkong.com  
 🌐 www.ergohongkong.com