

FLOOR MOBILE TV CART H10

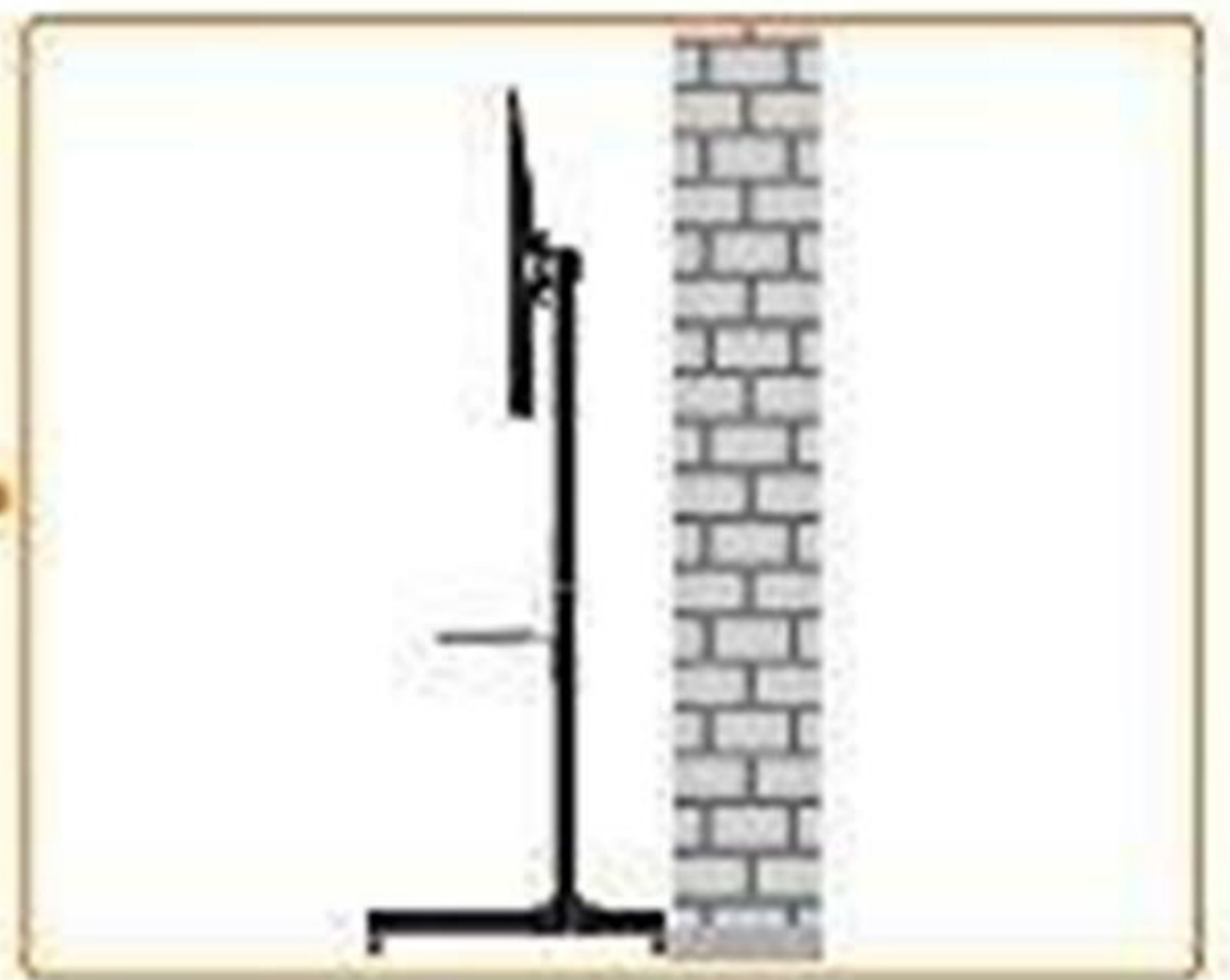
TV mount features
-15 - +15 Degree tilt.

Integrated wire management
system to conceal the wires

The Sturdy media shelf
with height adjustment
feature.

Low profile rear feet
help to store the TV
cart nearby the wall

Small base span
(498x366mm) for
space saving.



Low profile rear feet for storage
closely to the wall when not in
use.

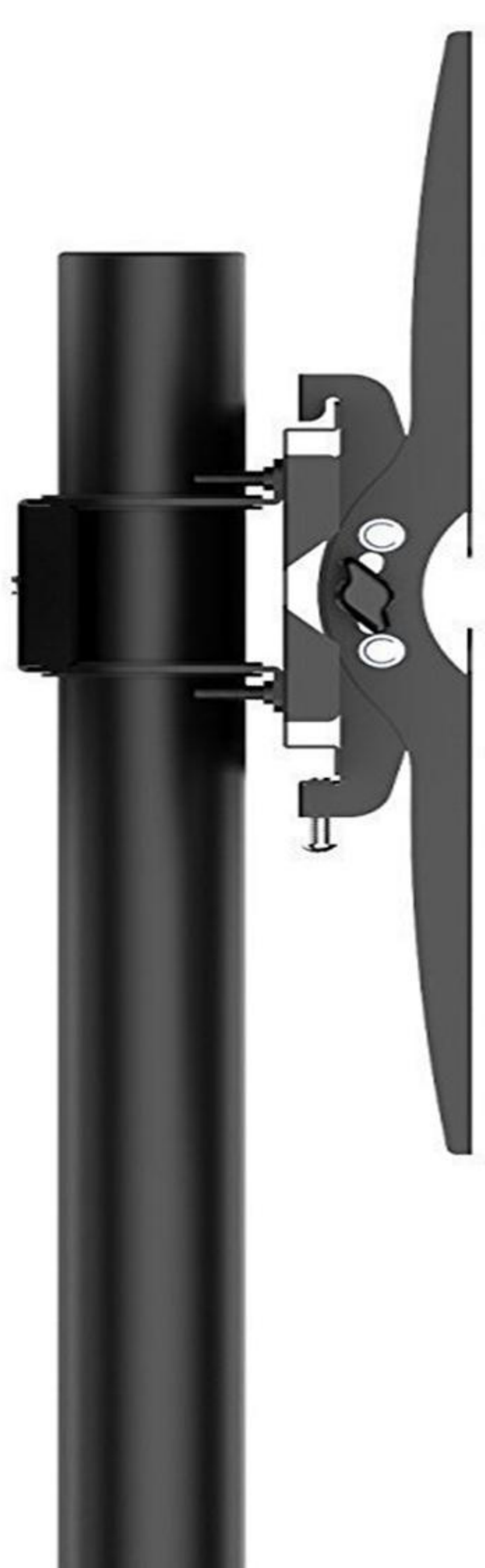
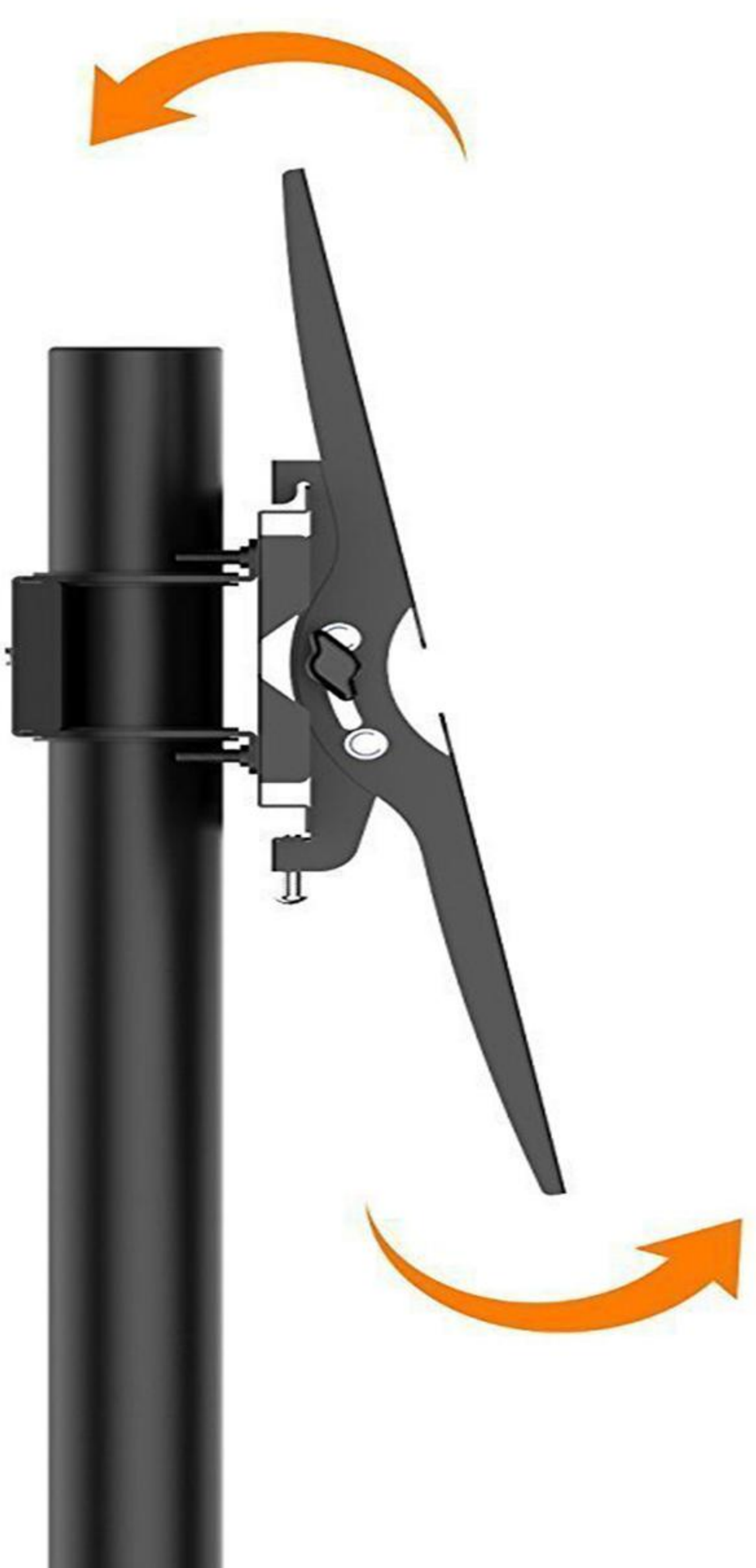


Equipped with four heavy duty
casters with locking system for
easy movement.

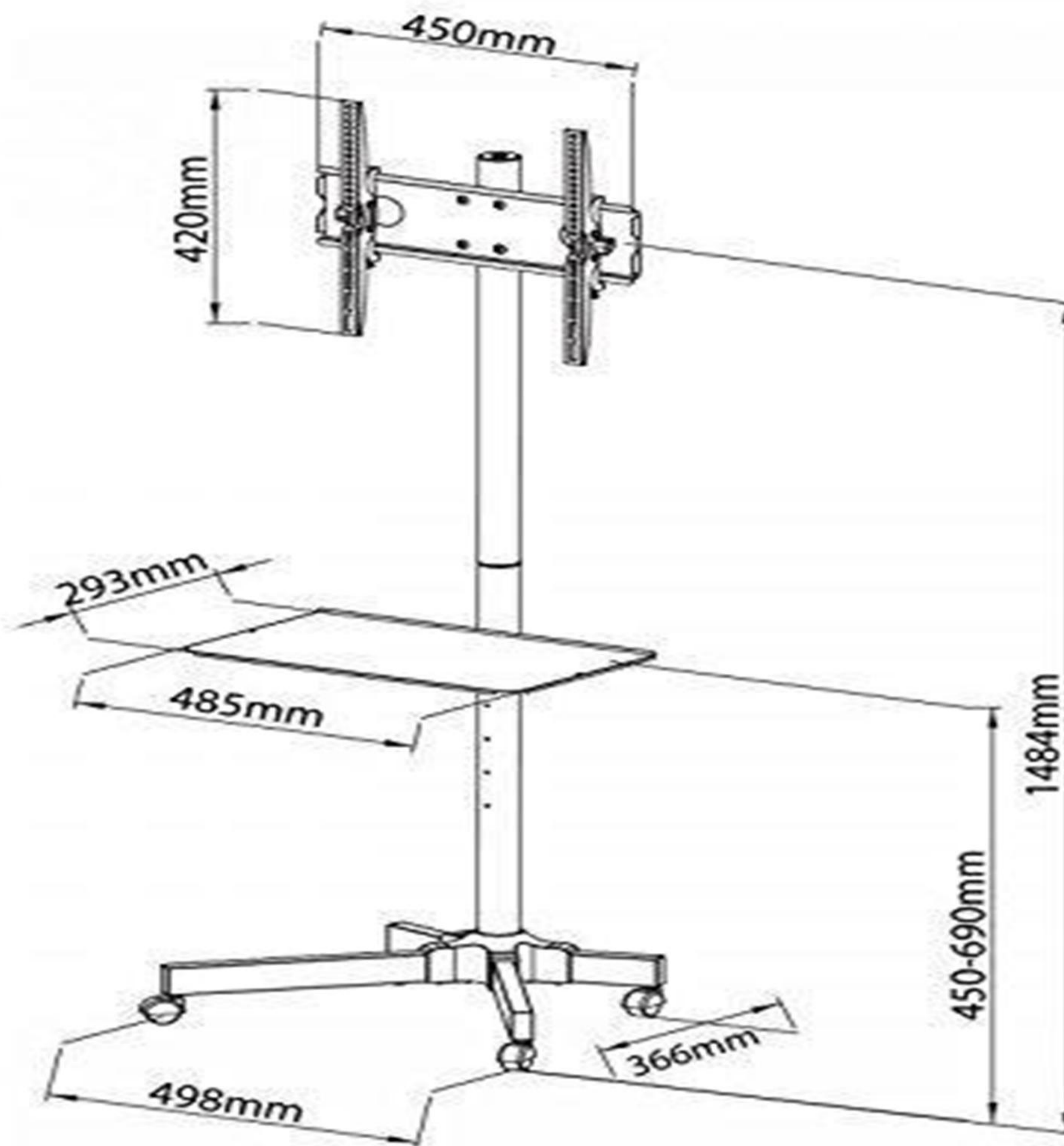
Backward 15°

0°

Forward 15°



Dimension



Features

- **MOBILE FLOOR CART** with 19" x 14.5" base and all wheels featuring locking castors to make cart stationary or moving when desired. Perfect for home, business, trade shows, and classroom settings.
- **COMPATIBLE** with most 23" to 55" Screens with VESA patterns 50x50mm to 400x400mm.
- **STURDY STEEL CONSTRUCTION** supporting screens weighing up to 55 pounds.
- **ADJUSTABLE FEATURES** include screen and tray height adjustment and 15 degree screen tilt to find the best viewing angle. Maximum floor to center of screen height is 58.5".
- **EASY INSTALLATION** we provide the necessary tools and hardware to get your flat screen TV up and mounted.

CONTACT US

India: Rife technologies, 362, Vardhamn Plaza - II J Block Community Center. Rajouri Garden, Delhi - 110027
E-mail: sales@rifeindia.com | Website: www.lcdtvstandsindia.com, www.rifeindia.com, www.ergodesks.in
Tel: +91-9899250704

Hongkong: Ergonomic Corporation Hongkong Limited, 1102, 11th floor, 33 hysen Avenue, Lee Garden one Causeway Bay, Hongkong

E-mail: sales@ergoshopping.com | Website: www.ergoshopping.com | Tel: 852-98226451

