



Free-Standing Adjustable Footrest (FR-03)



For Your Standing Comfort

Standing is healthy, but standing for long isn't. A great free-standing footrest is necessary. FR-03 is a heavy-duty steel adjustable footrest that reduces the pressure on your leg muscle, knee and ankle. 6 relaxing height setting accommodate most users. They also enable comfortable sitting posture as well. All-steel construction firmly holds the weight of your rested leg. A padded surface provides soft texture while preventing slipping. A soft foam grip handle enlarges the contact area between your hand and steel pole, making it easy to grasp. FR-03 is easy to use, and immediately brings the comfortable effect with one foot putting on the equipment.



Makes a great adjustable elevated footrest

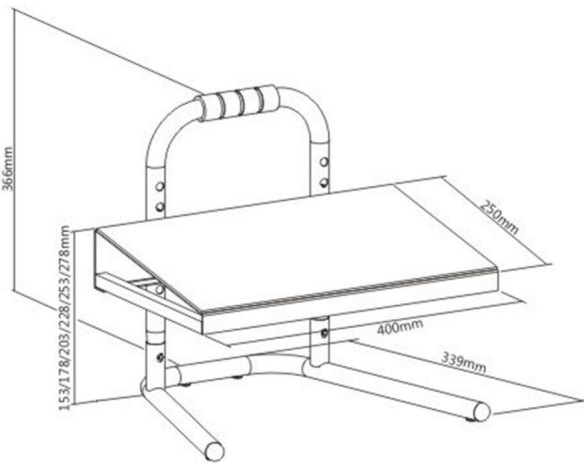


6 Relaxing height settings



Dimensions

Featuring



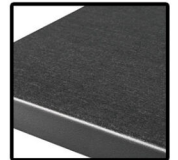
6 relaxing height adjustments accommodates most users



Soft Grip handle



All-steel construction holds rested leg weight.



Anti-Slip construction holds rested leg weight

Features

- 1 More Height Setting:** this footrest will adjust to your body needs. 6 height options it can lock between minimum and maximum height adjustment range of 153-278mm.
- 2 Unique Sit Standing Feature:** Either stand with one foot on this stool, or sit with both feet resting on the floor stool.
- 3 Strong and Sturdy:** The ergonomic footrest is made of all steel with an unbelievable weight capacity of 20kg. Even if you use it daily, even you rest your feet on it all the time, nothing will ever happen to it. It is very sturdy and it can support your leg weight without any problems. As for its dimensions, they are 18.1" x 13.3" and its surface is nonslip, so any type of shoe will be stable on it. You won't find a sturdy foot rest in the market.
- 4 Anti-Slip design:** This metal foot rest features a padded surface to prevent your foot from slipping. The legs also have rubber pieces underneath them to keep the stool in place while you use it.
- 5 Suitable TV Size:** 32-75".

Contact us