



**REDUCES FATIGUE BY KEEPING LEGS & FEET ELEVATED  
FEEL THE DIFFERENCE**



**ADJUSTABLE TILT ANGLE  
BETWEEN 0 TO 30 DEGREES TILT**



## DURABLE NON-SKID SURFACE

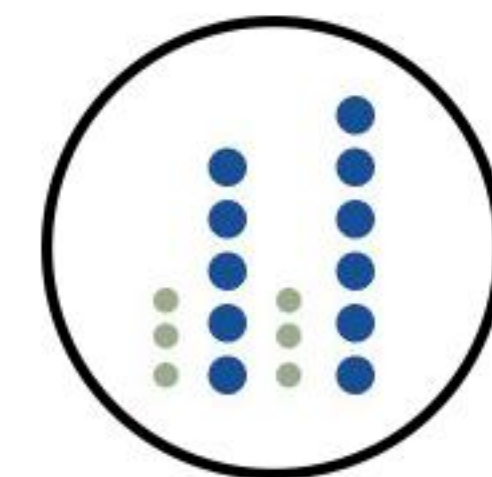
Non-skid Support Surface  
Provides Added Control



**ADJUSTABLE TILT ANGLE**  
Between 0 To 30 Degrees Tilt



**FLEXIBLE HEIGHT  
ADJUSTMENT**



NON-SKID  
SURFACE



BETTER  
WORKSPACE

**WORKING EXPERIENCE**  
Design To Give You a More  
Comfortable.



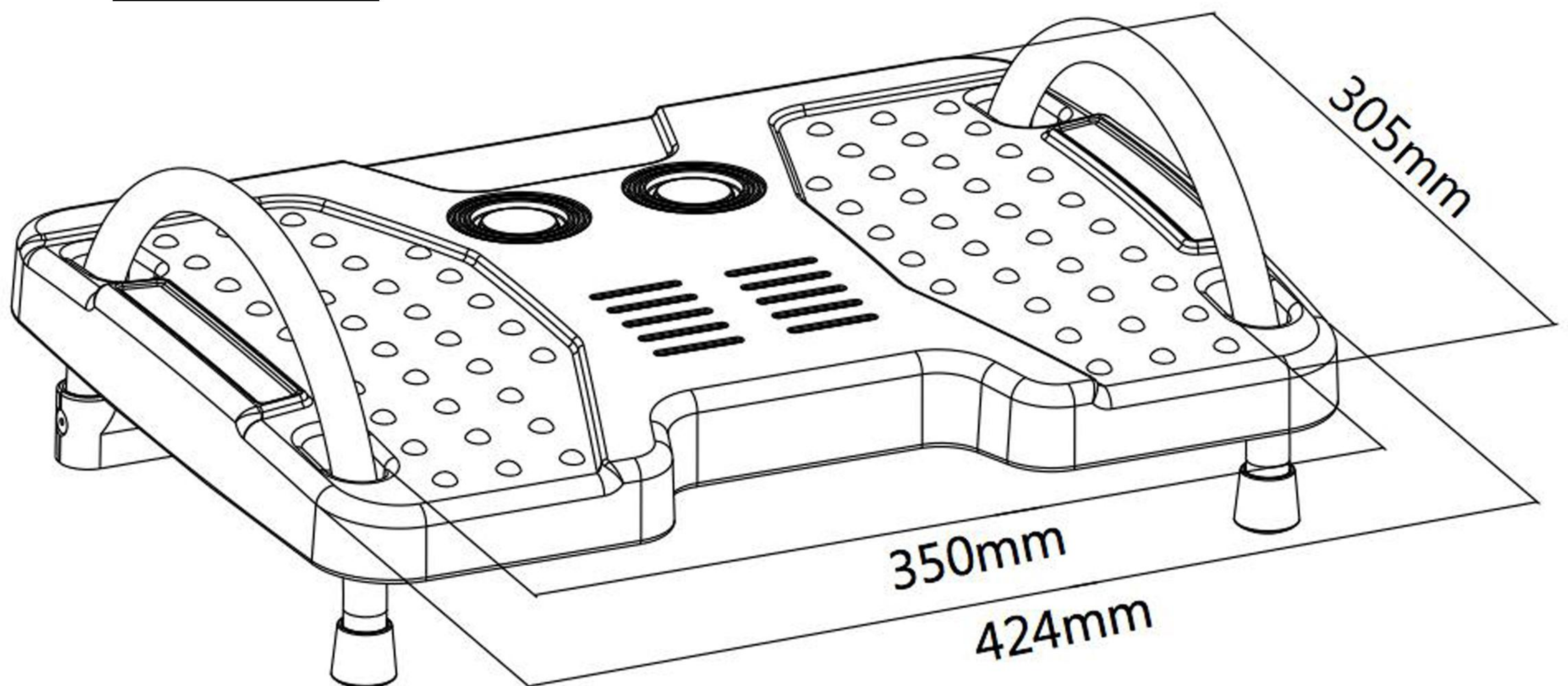
ERGONOMIC  
FOOT REST



TILTING  
FEET SUPPORT



## Dimensions



## Description

This foot-rest helps you sit in a good working position at your desk and reduces strain on your legs, back and neck. It's easy to tilt and adjust the platform to a comfortable angle just by applying pressure with your foot. Your feet stay in place when the platform is tilted because it has a non-slip textured surface. Rubber feet underneath keep the foot-rest firmly in place on the floor and protect sensitive surface. To support your foot while you are working on regular chair, we offer ergonomic office footrest. This ergonomic foot rest is adjustable footrest, and it slide very with your foot movement easily. Encourages good posture with acupressure points adjustable angle slip resistant surface reduces pressure on the back of the thigh.

## Features

- ❖ **ERGONOMIC OFFICE FOOT REST:** Increase comfort at your desk. Keep legs and feet elevated for less strain and fatigue. Adjustable height and angle reduces pressure on lower back and alleviate discomfort while sitting.
- ❖ **DURABLE NON-SKID SURFACE:** Foot stool for under desk , top dimension: 304x423x150mm.
- ❖ **TILTING UNDER DESK FEET SUPPORT:** Adjustable tilt angle between 0 to +- 20 degrees tilt for best individual comfort. The easy-glide design may improve circulation by allowing the repositioning of legs and feet while the footrest is in use.

## Contact us

**India:** Rife technologies, 362, Vardhamn Plaza - II J Block Community Center. Rajouri Garden, Delhi - 110027  
E-mail: [sales@rifeindia.com](mailto:sales@rifeindia.com) | Website: [www.lcdtvstandsindia.com](http://www.lcdtvstandsindia.com), [www.rifeindia.com](http://www.rifeindia.com), [www.ergodesks.in](http://www.ergodesks.in)  
Tel: +91-9899250704

**Hongkong:** Ergonomic Corporation Hongkong Limited, 1102, 11th floor, 33 hysen Avenue, Lee Garden one Causeway Bay, Hongkong

E-mail: [sales@ergoshopping.com](mailto:sales@ergoshopping.com) | Website: [www.ergoshopping.com](http://www.ergoshopping.com) | Tel: 852-98226451

