



This Freestanding Monitor Desk stand is a simple but strong mounting solution that raises your monitor to comfortable position

10 Height Settings So you Don't have to slump your Back or strain your neck while working long



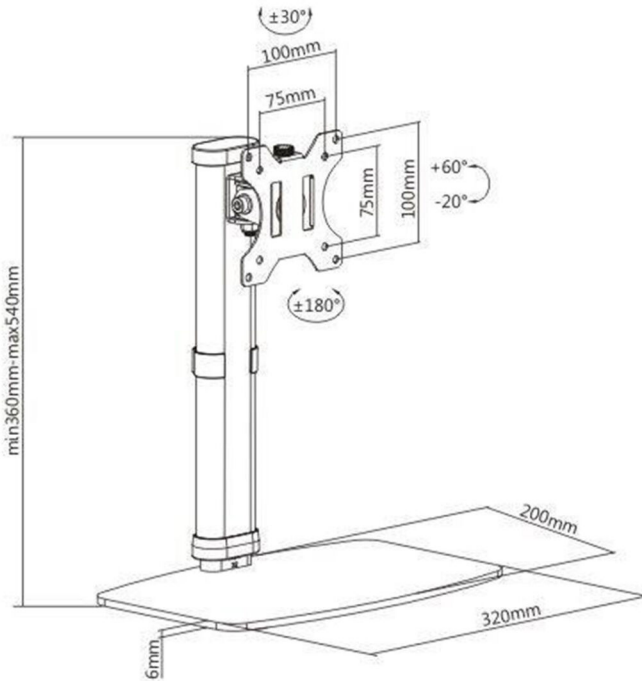
Single Screen Monitor Stand



Detachable VESA Plate Design: enables easy Installation

SINGLE SCREEN VERTICAL LIFT MONITOR STAND (EFW)

Dimensions



Description

Rock solid, well designed product! Very stable base, has foam under so no scratching, hear what our customer say. This Freestanding Monitor Desk is a simple but strong mounting solution that raises your monitor to comfortable ergonomic position at eye-level so you don't have to slump you back or strain your neck while working long hours at your desk. Durable metal construction and a sturdy base offer a quick, easy, and secure way to desktop or other horizontal surface. Ready to install with included hardware, there's no need to drill holes into desks or computer tops.

Features

- Detachable VESA Plate Design: enables easy installation
- 10 Height Settings: for optimal viewing height
- Cable Management: keeps everything organized
- Non-skid Silicone Pads: protect work surface from scratches or scuffs
- Gain space on your desk and enjoy improved ergonomics

Specifications

- Material: Plastic, Steel.
- Surface Finish: Powder Coating.
- Color: Gloss White.
- Dimensions: 320×200×360~540mm (12.6"×7.9"×14.2"~21.3")
- Fit Screen Size: 17"-27".
- Weight Capacity (per screen): 6kg (13.2lbs).
- VESA Compatible: 75x75, 100x100
- Tilt Range: $+60^\circ \sim -20^\circ$.
- Swivel Range: $+30^\circ \sim -30^\circ$
- Screen Rotation: $+180^\circ \sim -180^\circ$
- Installation: Freestanding
- Quick Release VESA Plate: Yes
- Cable Management: Yes
- Instruction Manual Included: Yes