



## Freestanding Desk Stand for Quad Monitors

**SWIVEL:** 360 degree  
**TILT:** -90 ~ +90 degree  
**ROTATION:** 360 degree

**POLE HEIGHT:** 725 mm

**Diameter of the pole:** 1 7/8"

**Color:** Black

This sturdy, top-rated, high-quality ergonomic, Articulating Heavy-Duty Pyramid Quad Monitor Free Standing allows users to manage multiple programs/spreadsheets simultaneously, increasing their productivity. This unique designed stand offers users complete flexibility to reposition their monitors for maximum comfort and optimum viewability. A perfect solution for limited space applications by removing clutter from the desktop, using workspace effectively and mounting LCD monitors conveniently.



**Rotate the screens** according to your comfortable angles and keeping you comfortable while increasing your productivity. Monitors can be placed in both portrait or landscape positions

You can snugly adjust the height of monitor stand and Select the **healthiest and most ergonomic** height that best suits to your needs. And also it can effectively reducing the pain and strain on your neck, shoulder and back.

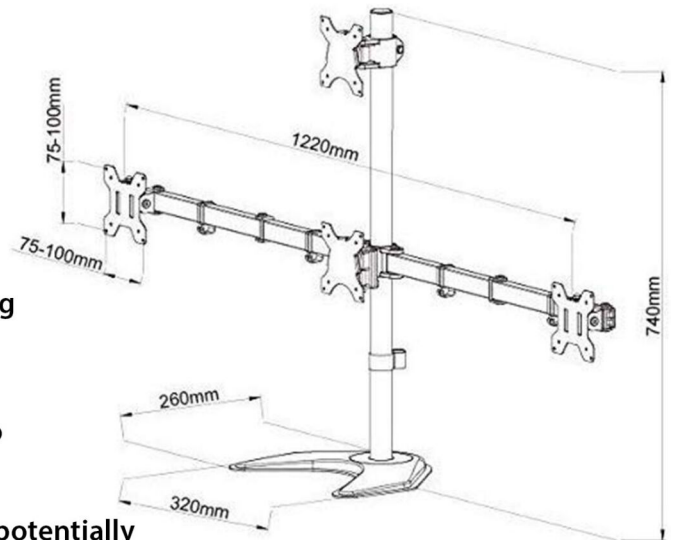


Keeping you comfortable while increasing your productivity. Double center joints built into each arm allow a **greater level of arm articulation** and monitor placement.



## Features

1. Tilt -30 ~ +30 degree, Swing 360 degree
2. Rotate 360 degree
3. Monitor Shape: Portrait & Landscape
4. Compatibility - Supports most widescreen displays including curved widescreens up to (4) 24" in "1 over 3" Pyramid Quad Free Standing Formation.
5. Mounting Options - With a heavy-weighted metal base, also can be bolted on the desktop, easy to install in minutes.
6. CABLE MANAGEMENT - System integrated in order to keep potentially messy cords clean and organized.
7. VESA 75 ×75mm or 100 ×100 mm
8. The diameter of the pole is 1 7/8".
9. With a heavy-weighted metal base, easy to install in minutes.



## Contact us



**India:** Rife Technologies, 362, Vardhaman Plaza - II, J Block Community Center. Rajouri Garden, Delhi - 110027, India  
E-mail: sales@rifeindia.com, Website: www.lcdtvstandsindia.com, www.rifeindia.com, Tel:+91-9899250704

**Hongkong:** Ergonomic Corporation Hongkong Limited, 1102, 11th floor, 33 hysen Avenue, Lee Garden one, Causeway Bay, Hongkong  
E-mail: sales@ergoshopping.com, Website: www.ergoshopping.com, Tel: 852-98226451