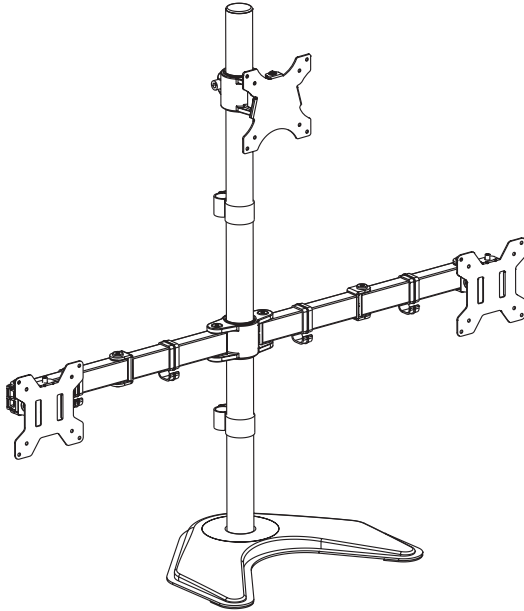


Installation Instruction



UNPACKING INSTRUCTIONS

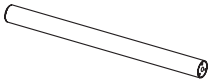
- Carefully open the carton, remove contents and lay out on cardboard or other protective surface to avoid damage.
- Check package contents against the Supplied Parts List in the next page to assure that all components were received undamaged. Do not use damaged or defective parts.
- Carefully read all instructions before attempting installation.

IMPORTANT SAFETY INFORMATION

- Install and operate this device with care. Please read this instruction before installation, and carefully follow all instructions contained herein. Use proper safety equipment during installation.
- Please call a qualified installation contractor for help if you don't understand these directions or have any doubts about the safety of the installation.

Do not use this product for any purpose or in any configuration not explicitly specified in this instruction. We hereby disclaims any and all liability for injury or damage arising from incorrect assembly, incorrect mounting, or incorrect use of this product.

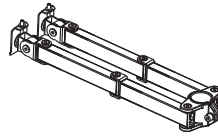
Supplied Parts List



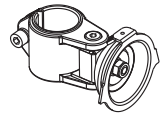
(1) Pole-a



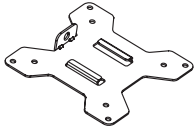
(1) Weighted Base-b



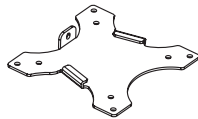
(1) Swivel Arm-c1



(1) Monitor Arm-c2



(2) VESA Plate-d1



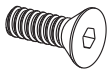
(1) VESA Plate-d2



(2) Nut-e



(1) M4x6 Bolt-f



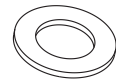
(3) M5x14 Bolt-g



(1) M10 Bolt-i



(1) Support Plate-j



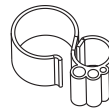
(1) M10 Washer-k



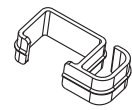
(1) Spring Washer-l



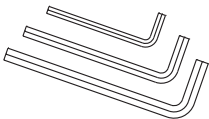
(1) Grommet Base Plate-m



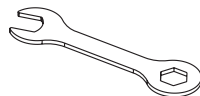
(2) Wire Clip-n1



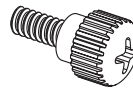
(4) Wire Clip-n2



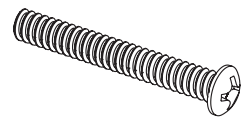
(1) Allen Key-o



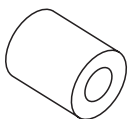
(1) Wrench-p



(12) M4x12 Thumb Bolt-q



(12) M4x30 Bolt-r



(12) M4 Spacer-s



(1) Soft Pad-t

Option A: Weighted Base Install

1. Install the Pole(a) to the Weighted Base(b) using 3pcs M5x14 Bolts(g), and tighten using the Allen Key(o), see Figure 1.

2. Optionally, you can drill a 10mm diameter hole in your desk and secure using the Support Plate (j), M10 Washer(k), Spring Washer(l) and M10 Bolt(i). Fasten the M10 Bolt with provided Wrench(p), see Figure 2.

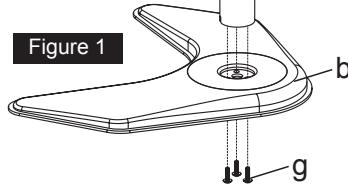


Figure 1

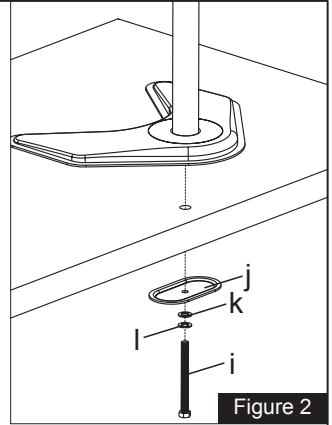


Figure 2

Option B: Grommet Base Install

Existing Grommet Hole Installation

If the existing grommet hole comes with a plastic protector, remove it to ensure a flat surface before installing the desk mount.

1. Install the Grommet Base Plate(m) to the Pole(a) using 3pcs M5x14 Bolts(g), and tighten using the Allen Key(o), see Figure 3.

2. Attach Soft Pad(t) to the Grommet Base Plate(m), see Figure 4.

3. Position the Pole(a) on the mounting surface and secure using the Support Plate (j), M10 Washer(k), Spring Washer(l) and M10 Bolt(i). Fasten the M10 Bolt using provided Wrench(p), see Figure 5.

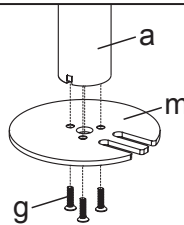


Figure 3

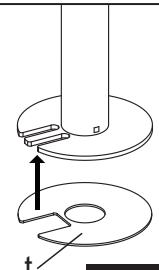


Figure 4

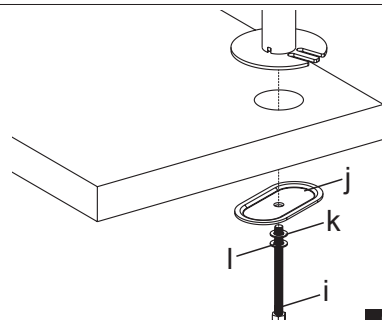


Figure 5

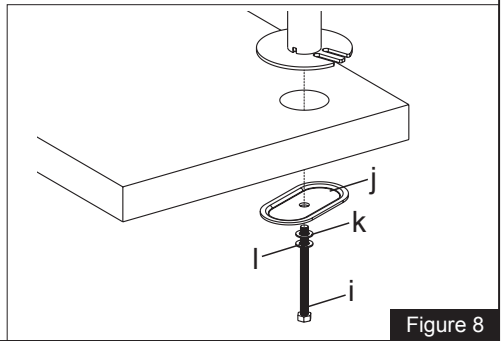
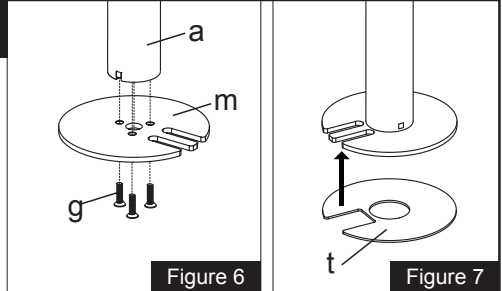
Step 1

Install the Pole to the Desktop

Option C: Grommet Base Install

Self Drilled Grommet Hole Installation

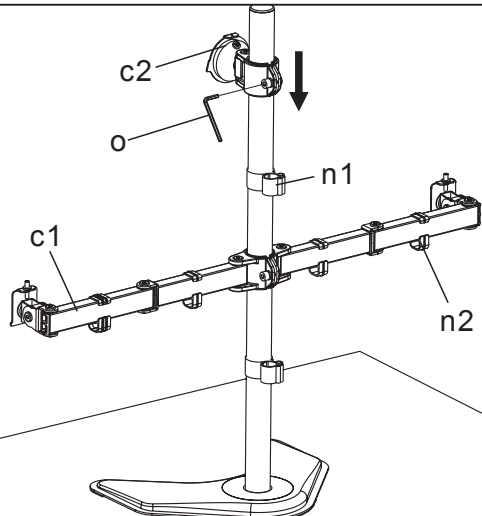
1. Position the Pole(a) on the mounting surface and mark the center hole. Drill a 3/8" (10mm) diameter hole at the marked position through the mounting surface.
2. Install the Grommet Base Plate(m) to the Pole(a) using 3pcs M5x14 Bolts(g), and tighten using the Allen Key(o), see Figure 6.
3. Attach Soft Pad(t) to the Grommet Base Plate(m), see Figure 7.
4. Position the Pole(a) on the mounting surface and secure using the Support Plate(j), M10 Washer(k), Spring Washer(l) and M10 Bolt(i). Fasten the M10 Bolt using provided Wrench(p), see Figure 8.



Step 2

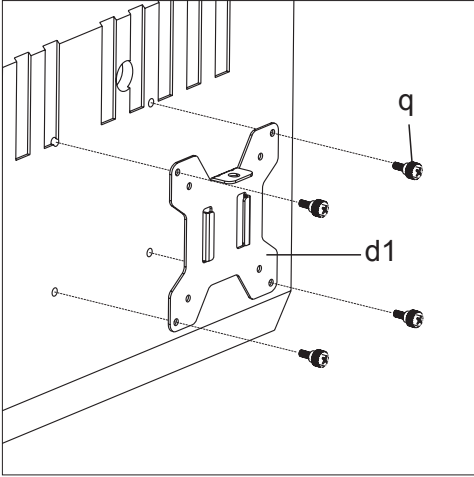
Install Arm to the Pole

Install Swivel Arm(c1,c2) to the Pole(a). Fasten the bolt with supplied Allen Key(o). Attach the Wire Clip(n1,n2) to the Pole(a) and Swivel Arm(c1).

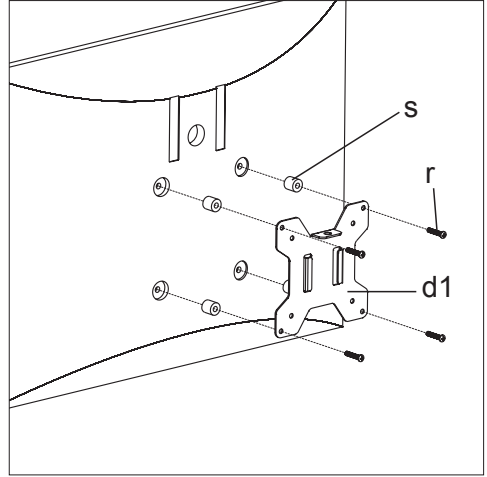


Step 3A

Attach the Side VESA Plates to the Monitors



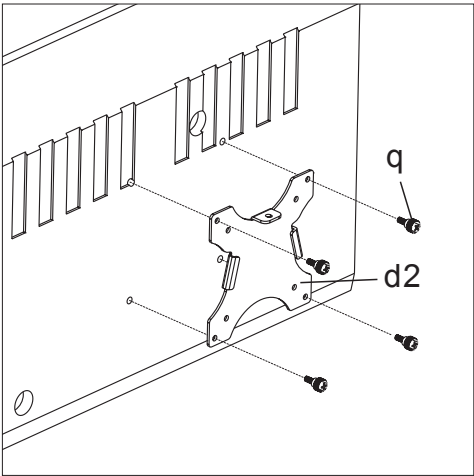
For Monitor with Flat Back



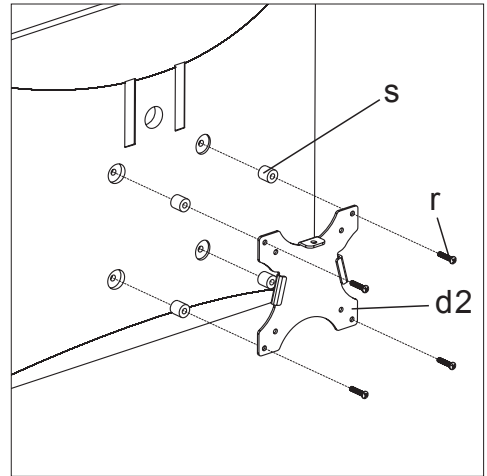
For Monitor with Curved or Recessed Back

Step 3B

Attach the Center VESA Plate to the Monitor



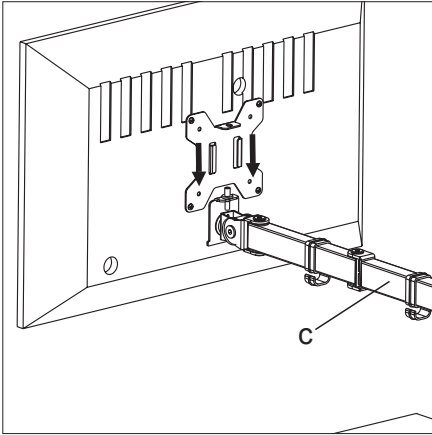
For Monitor with Flat Back



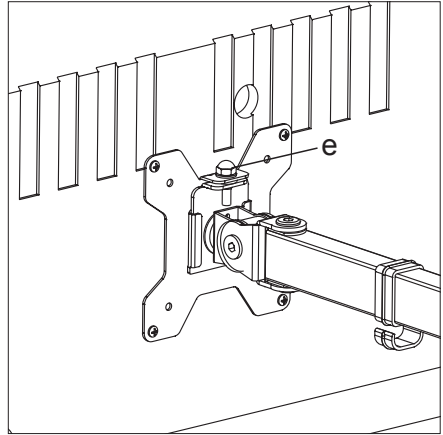
For Monitor with Curved or Recessed Back

Step 4A

Slide the Side Monitors onto the Head of Swivel Arm



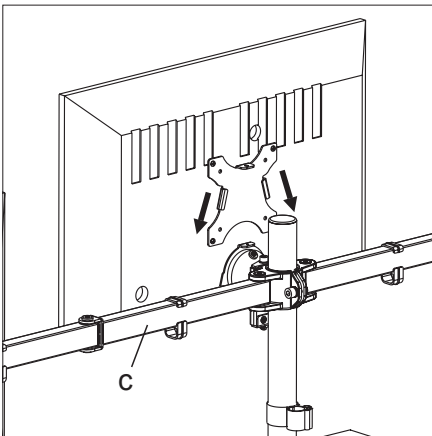
Slide the monitor onto the head of Swivel Arm(c) as shown in the above diagram.



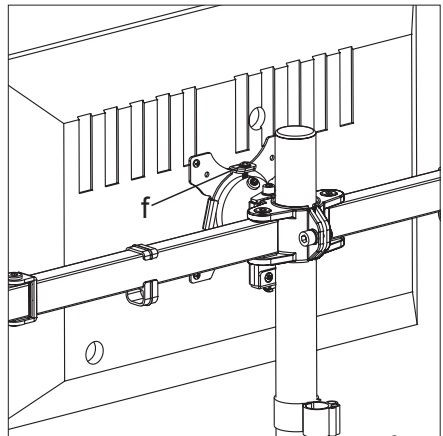
Install the security Nut(e). Make sure the security nut is installed before you rotate the monitor.

Step 4B

Slide the Center Monitor onto the Head of Monitor Arm



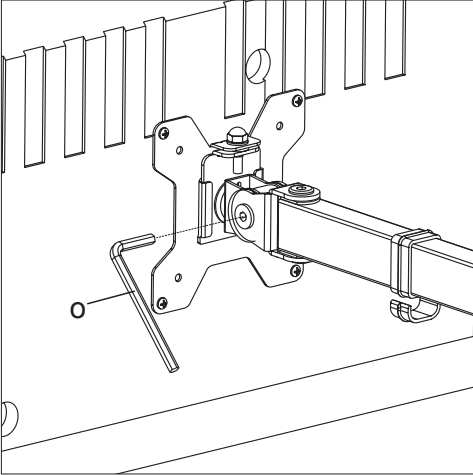
Slide the monitor onto the head of Monitor Arm(c) as shown in the above diagram.



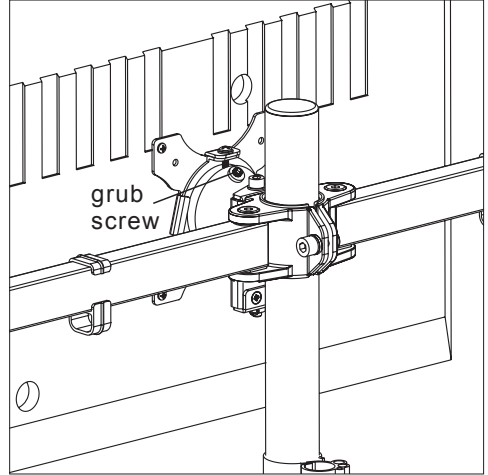
Install the M4x6 Bolt(f). Make sure the bolt is installed before you rotate the monitor.

Step 5

Fix the Tilt Angle of Side and Center Monitors



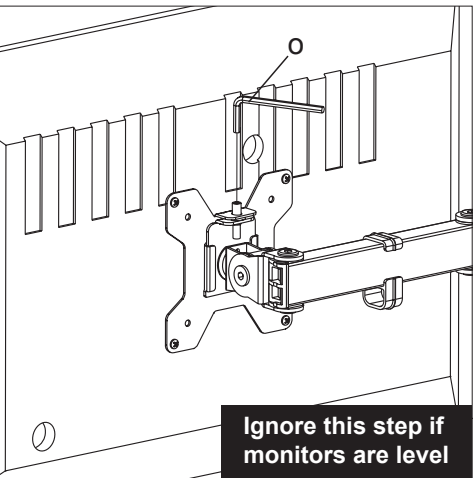
Tighten the bolt with the supplied Allen Key(o) to fix the tilt angle.



Fasten the grub screw in monitor arm to fix the tilting angle by provided Allen Key(o).

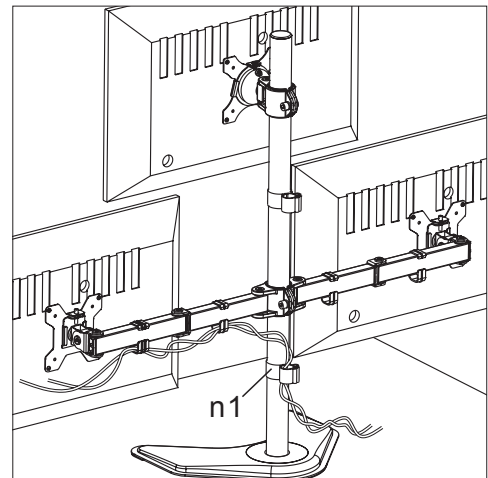
Step 6

Adjust the Level of Monitors and Manage the Wires



Ignore this step if monitors are level

If one monitor is lower, remove the Nut(e) and turn the bolt counter-clockwise with supplied Allen key(o) to raise the monitor. Install the Nut(e) after the adjustment.



Manage the wires and store the Allen keys (o) in Wire Clip(n1) for future use.