

Fully Adjustable Extra Tall Dual Monitor Desk Mount



Max VESA: 100 x 100
Monitor Size: up to 27"
Capacity: 10 kg/22 lbs
Material: Steel & Aluminum

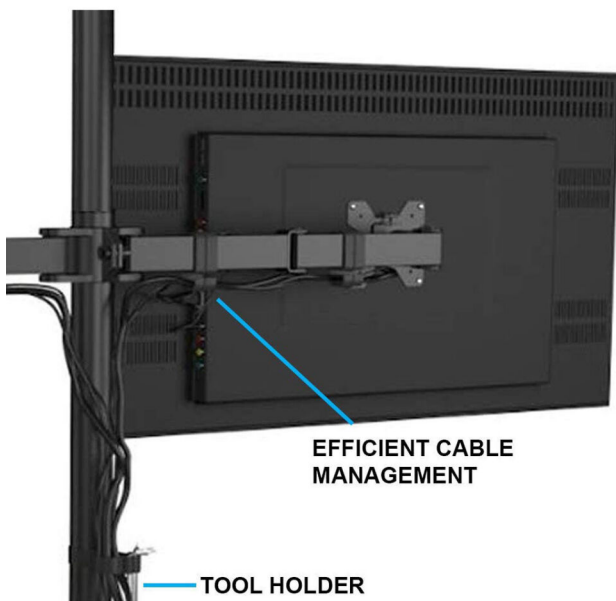
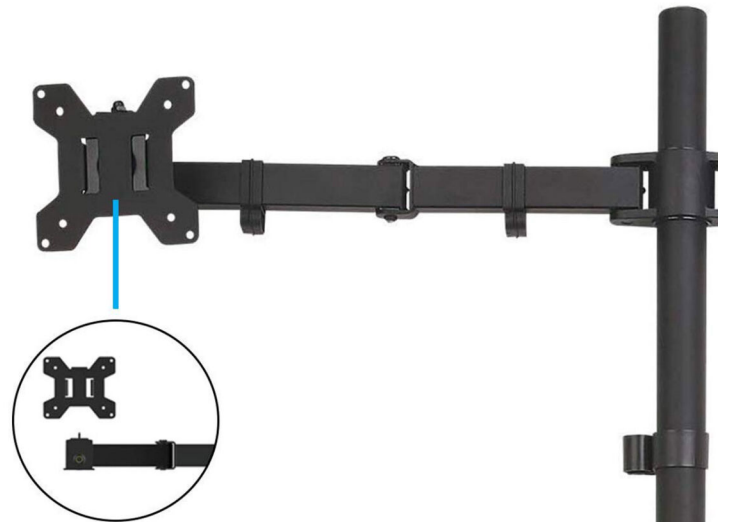
Color: Black

EC2L Dual Monitor Stand features including full motion articulation, removable VESA mounting plates, monitor height adjustment, integrated cable management, and more. The versatility of screen placement allows for ergonomic viewing that encourages healthy body positioning and helps reduce fatigue and strain on the neck, shoulders, and eyes.

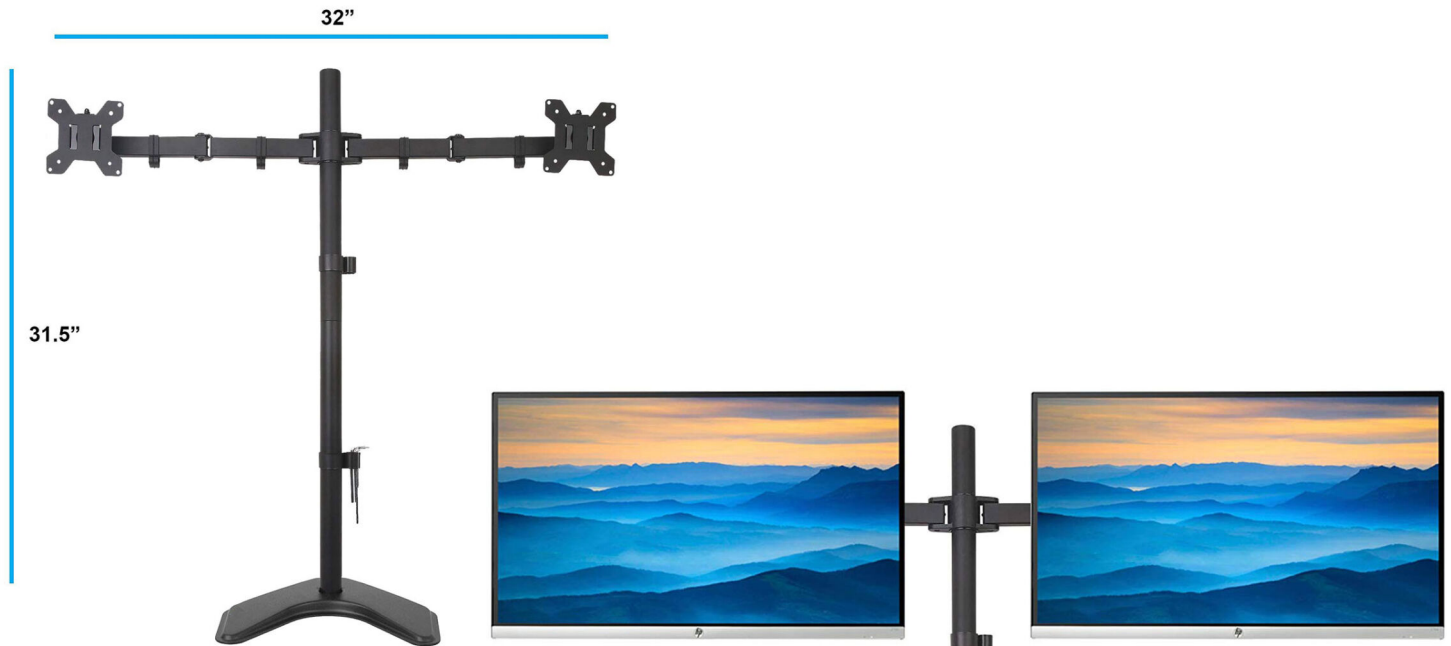


You can snugly **adjust the height of the monitor stand** and Select the healthiest and most ergonomic height that best suits your needs.

Mounting your screens is made easy with a **detachable VESA plate system**. easily remove the VESA plate from the stand



Our computer monitor stand comes with an efficient **cable management system** that Keeps your power and AV cables clean and organized with cable clips on the arms and center pole.



Features

1. **Compatibility:** Fits most flat panel monitor up to 27" and supports weight up to 10 kgs on per arm. Mount plates detachable and height adjustable compatible with VESA mounting holes 75x75 mm and 100x100 mm.
2. **2 Different Options:** Two Type locking system 4" C-Clamp and 4" diameter Grommet Base.
3. **Various Adjustment:** The high-grade arms extend and revoke, +/-90° tilt and swivel to change reading angles, and 360° rotate from landscape to portrait mode.
4. **Benefits:** Monitor arm is easily adjustable on the 31.5" height pole. Double efficiency and productivity by opening up desk space allow working in a more comfortable, ergonomically correct position to reduce straining of neck and eye.
5. **Easy Assembly:** All necessary fixings and instructions manual are provided for installation.
6. **Our computer monitor stand comes with an efficient cable management system that** Keeps your power and AV cables clean and organized with cable clips on the arms and center pole.

Contact us



India: Rife Technologies, 362, Vardhaman Plaza - II, J Block Community Center, Rajouri Garden, Delhi - 110027, India
E-mail: sales@rifeindia.com, Website: www.lcdtvstandsindia.com, www.rifeindia.com, Tel:+91-9899250704

Hongkong: Ergonomic Corporation Hongkong Limited, 1102, 11th floor, 33 hysen Avenue, Lee Garden one, Causeway Bay, Hongkong
E-mail: sales@ergoshopping.com, Website: www.ergoshopping.com, Tel: 852-98226451