

Manufactured with high-grade steel that provides security and resists scratches, this stand was built to perform! Designed with user-g geared features such as arm articulation, removable VESA mounting plates, adjustable monitor height, integrated cable management, and more, this mount is customizable to your particular office needs.





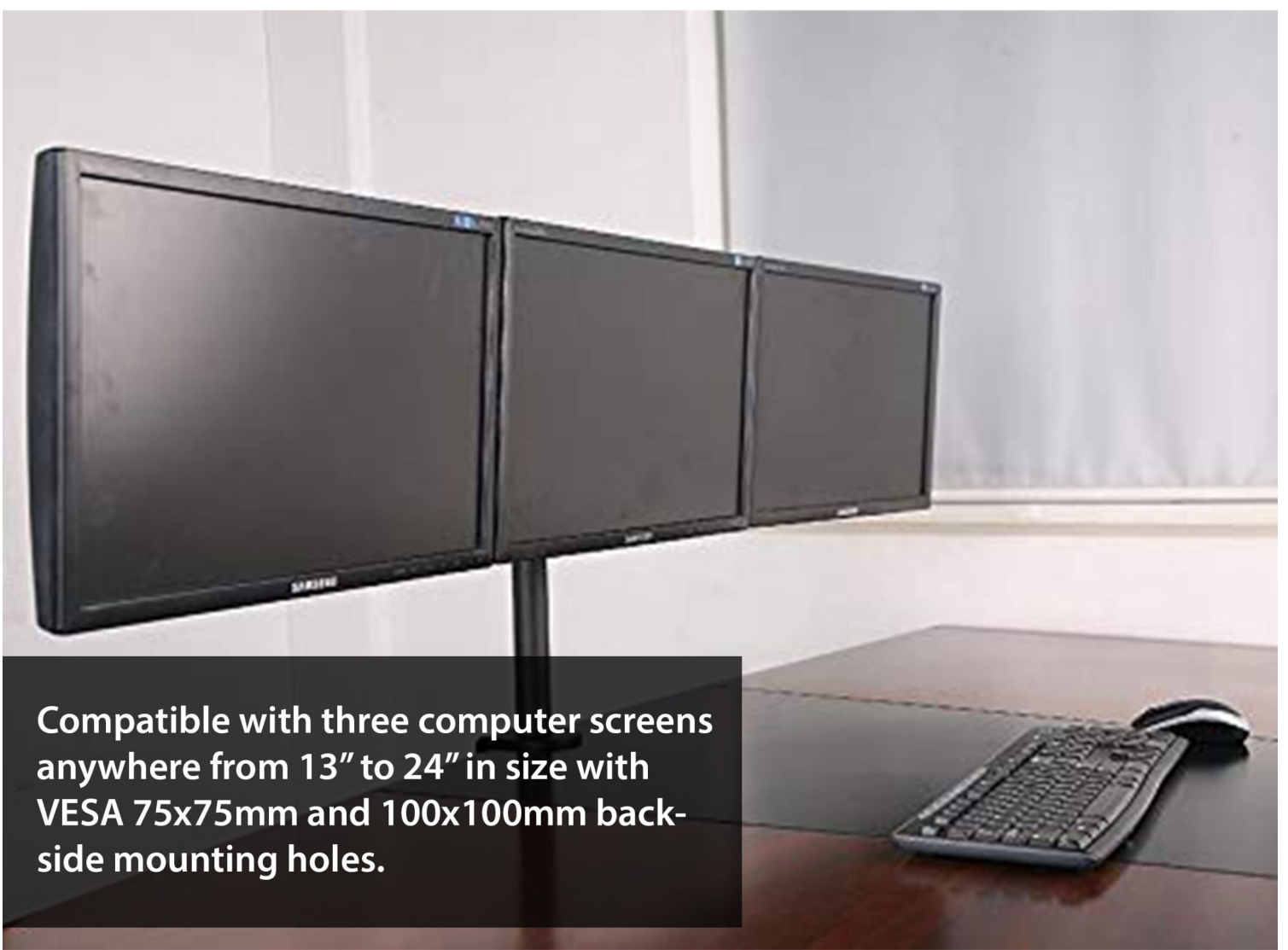
**Steel Construction** and sturdy design ensure sufficient support for three computer monitors weighing up to 9 kg each

**Integrated Cable** management is included to keep AV and power cords clean and organized via clips along the arms and center pole



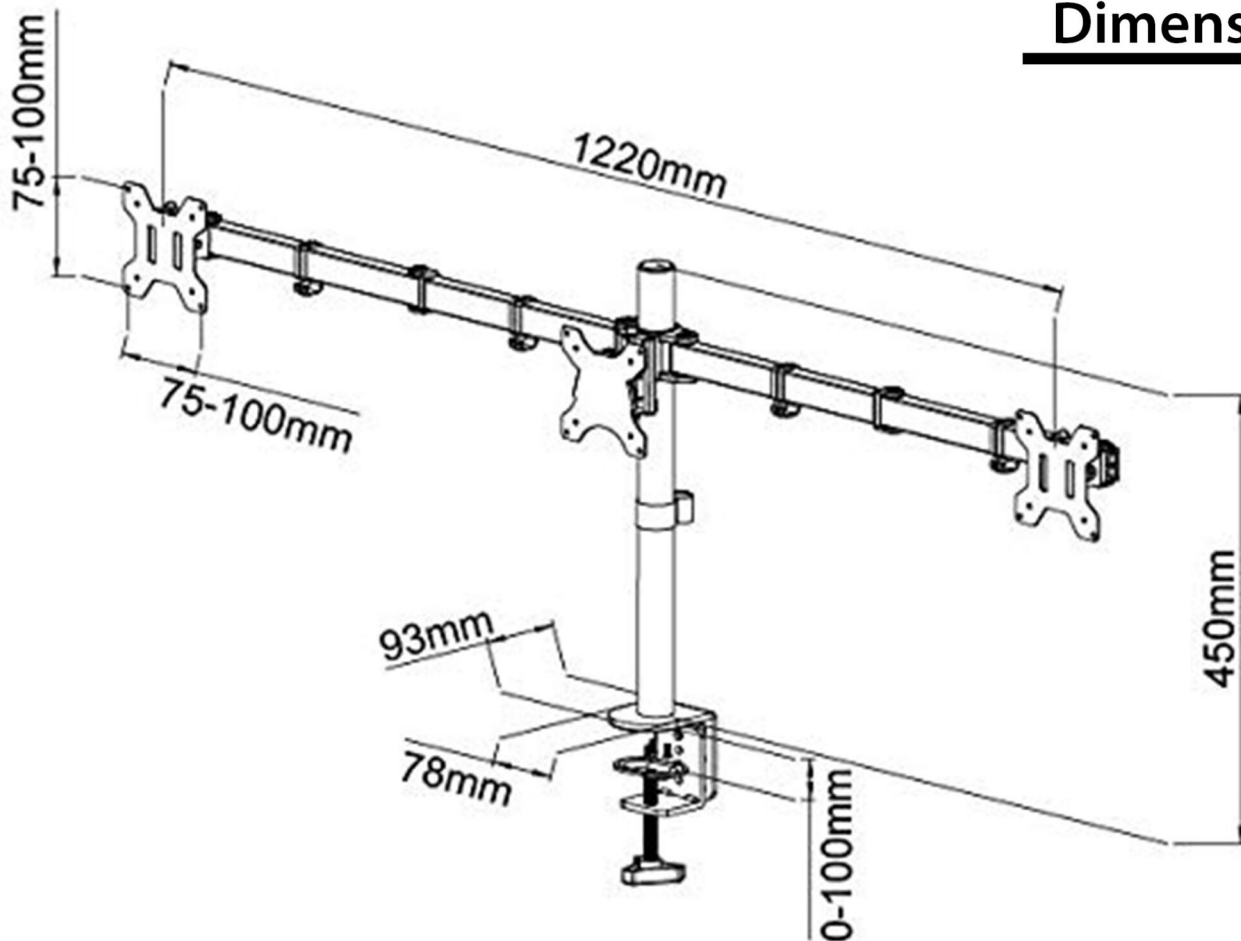
**This Clamp** type LCD stand will be screwed onto the edge of a desk for maximum space

---



Compatible with three computer screens anywhere from 13" to 24" in size with VESA 75x75mm and 100x100mm back-side mounting holes.

## Dimensions





## Features

1. **CLEAR UP VALUABLE DESK SPACE** by winning back the area that three individual monitors would require. Integrated cable management is included to keep AV and power cords clean and organized via clips along the arms and center pole.
2. **STEEL CONSTRUCTION** and sturdy design ensure sufficient support for three computer monitors weighing up to 9 kg each!
3. **FULL ARTICULATION** of this stand includes adjustable arms that offer  $-90^{\circ}$  to  $+90^{\circ}$  tilt,  $360^{\circ}$  swivel, and  $360^{\circ}$  rotation combined with 12 points of articulation. This creates ergonomic viewing angles and perfect screen positioning that alleviates soreness in the neck, shoulders, and back.
4. **COMPATIBLE** with three computer screens anywhere from 13" to 24" in size with VESA 75x75mm and 100x100mm backside mounting holes.
5. Concealed wiring design, keeping your desk tidy and clean; Storage slot for Allen keys. Comes complete with instructions plus all fixtures and fittings needed for simple installation.



## Contact us



**India:** Rife Technologies, 362, Vardhaman Plaza - II, J Block Community Center, Rajouri Garden, Delhi - 110027, India  
E-mail: [sales@rifeindia.com](mailto:sales@rifeindia.com), Website: [www.lcdtvstandsindia.com](http://www.lcdtvstandsindia.com), [www.rifeindia.com](http://www.rifeindia.com), Tel: +91-9899250704

**Hongkong:** Ergonomic Corporation Hongkong Limited, 1102, 11th floor, 33 hysen Avenue, Lee Garden one, Causeway Bay, Hongkong  
E-mail: [sales@ergoshopping.com](mailto:sales@ergoshopping.com), Website: [www.ergoshopping.com](http://www.ergoshopping.com), Tel: 852-98226451