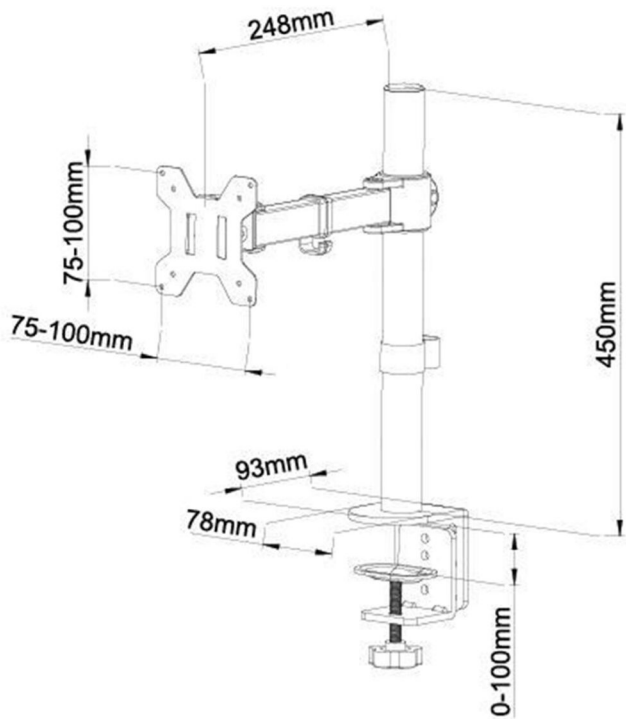


Monitor Desk Mount Stand



It's a single arm monitor to replace the original stand to free your precious desk space. this mount suits for one 13" to 27" monitor with weight capacity of 10kg. You can adjust the monitor height and view angle freely with this mount. The connecting cables can be arranged neatly by provided wire clips both on pole and arm. The C-Clamp comes with grommet mounting option, so you can install the mount either on the edge of desk or through the cable routing hole on the desk.

Dimension



Features

- 1 ERGONOMIC VIEWING** - Elevating your monitor to a comfortable viewing height reduces eye strain and encourages better posture for your neck and back while you work long hours at the office.
- 2 COMPATIBILITY** - This single monitor free-standing mount fits most screens 13" to 32" in size and 22 pounds in weight with VESA 75x75mm and 100x100mm mounting holes.
- 3 FULL ARTICULATION** - An adjustable bracket offers -15° to +15° tilt, 90° swivel, 360° rotation, and height adjustment along the center pole for optimal viewing angles. The monitor can be placed in portrait or landscape orientation.
- 4 INTEGRATED CABLE MANAGEMENT** - Keep your power and AV cords clean and organized with a detachable cable clip on the center pole.
- 5 DIMENSIONS:** Pole Height 450 mm, Arm Extension maximum 248 mm. Pole Diameter 35 mm.



Contact us