



# Clamp On Power Strip Holder EB01

Organise your desk and put your power strip where you need it



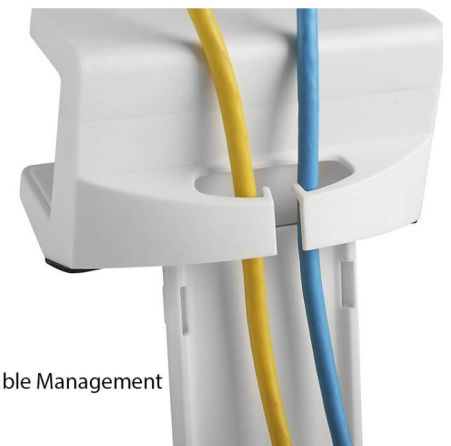
Designed for most US power strips



Silicone Pads provide a firm grip on the powerstrip



Sick of reaching under your desk in the dark to find an outlet? Tired of potential trip hazards from loose hanging wires? Why not get organized? Consider the MH01-1 Clamp-On Power Strip Holder. It's the answer to the everpresent problem of under-desk clutter. The adjustable width accommodates most power strip from 1.6" - 2.4" (40-60mm) and it clamps easily to desks up to 2.0" (50mm) thick! EVA foam pads protect desktop surface from scratches or scuffs and silicone pads found in the mount holds your power strip firmly in place. Now you can remove those hidden trip wires and put your power strip exactly where you need it.

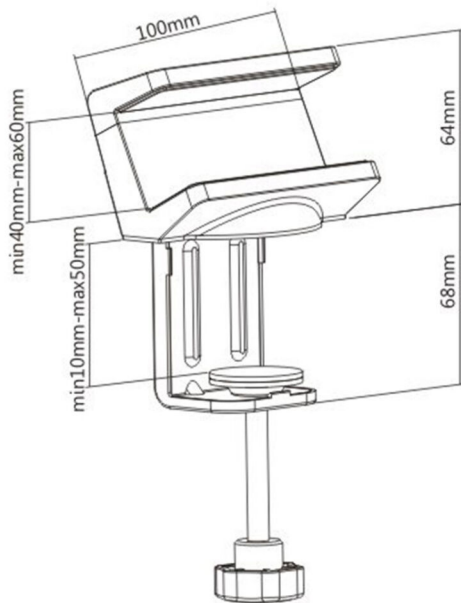


Cable Management

holder to fix extension board on table



## Dimensions



Silicone Pads



Adjustable width



EVA Foam Pads



Cable Management

## Features

- 1 Clamps onto surface up to 2.0" (50mm) thick.
- 2 Adjustable clamp and fits different sizes of power extension boards.
- 3 Silicone pad prevents the device from scratching and accidental dropping (securely hold the device in place).
- 4 Cable management keeps everything organized.

Contact us