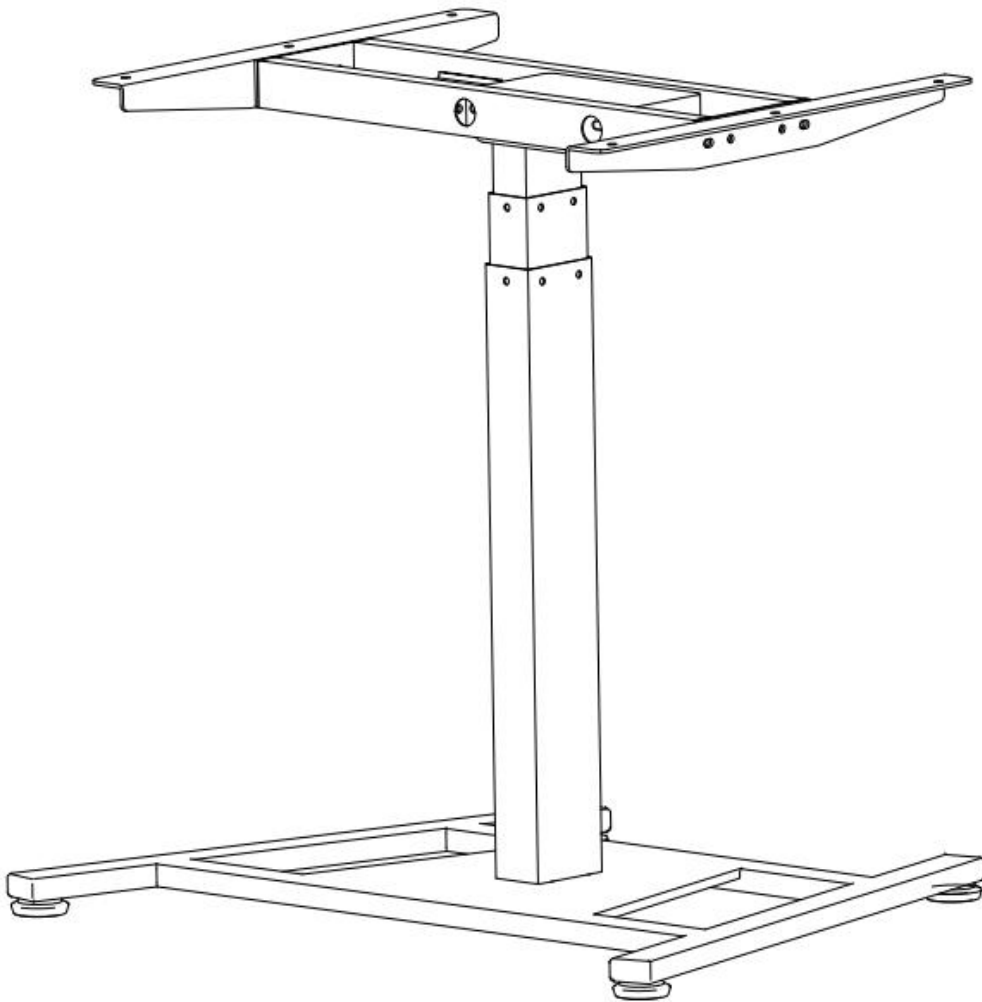




Rife Technologies

HEIGHT-ADJUSTABLE DESK ESM



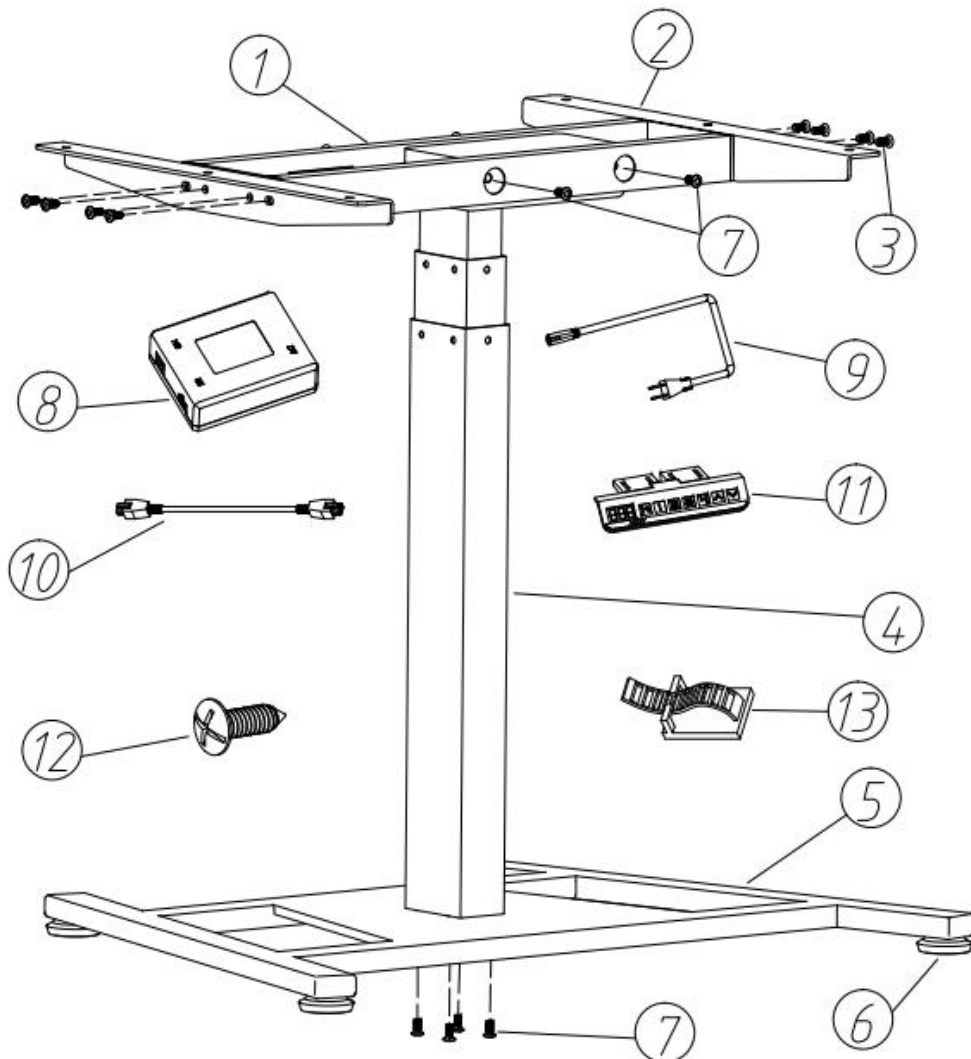
www.rifeindia.com

Tel : 9899250704

Assembly and Operation Instructions

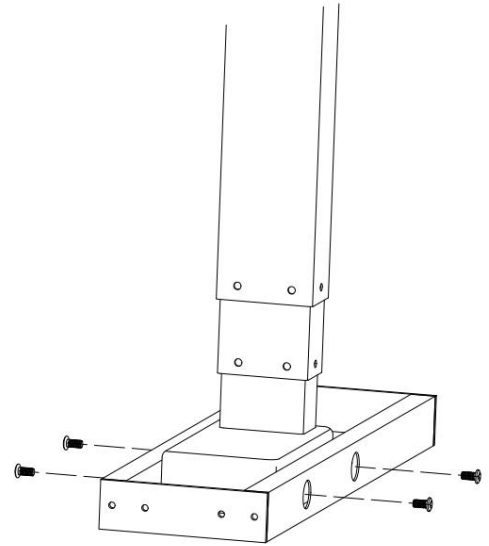
Parts List

Part	Name	Qty
1	End Frame	1
2	Side Bracket	2
3	Machine Screws M6*12	8
4	Lift Column	2
5	Foot	1
6	Leveling Feet	4
7	Machine Screws M6*10	8
8	Control Box	1
9	Power Cord	1
10	Cable	1
11	Handset	1
12	Wood Screws M5*16	8
13	Cable Clips	4



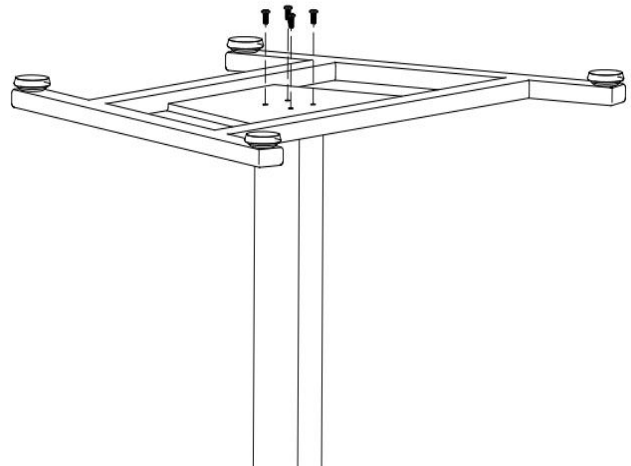
Step 1

Position Lift Column (Part 4) into End Frame (Part 1). Please take care and note the orientation of the End Frame. Must be as shown in the adjacent diagram. Insert 4 pcs M6*12 mm Machine Screws (Part 3). Align the holes in Lift Column with the holes in End Frame and insert screws.



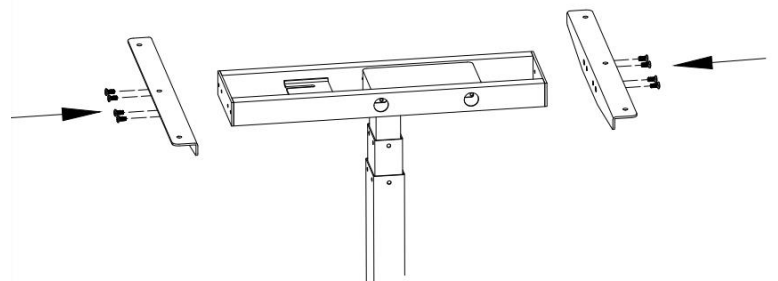
Step 2

Attach the foot (Part 5) to the bottom of Lift Column (Part 4) using 4 pcs M6 *12 mm Machine Screws (Part 7) tighten firmly. Attach the Leveling Feet (Part 6) to the foot (Part 5) and tighten firmly.



Step 3

Fit both side bracket (Part 2) as shown. You need to align the screw holes.



Insert 8 pcs M6*10 mm Machine Screws (Part 3) as shown at both side.

Step 4

Place your desktop on the ground with the good side down. Taking care that there is no stray hardware that may damage the top.

Ensure the wood screws are not too long for the width of your desktop surface; Otherwise they

may puncture it when screwed all the way in!

Check that the frame is properly positioned on the underside of the desktop.

Attached the base to the underside of the desktop using 8 pcs M5*16 mm Wood Screws (Part 12)

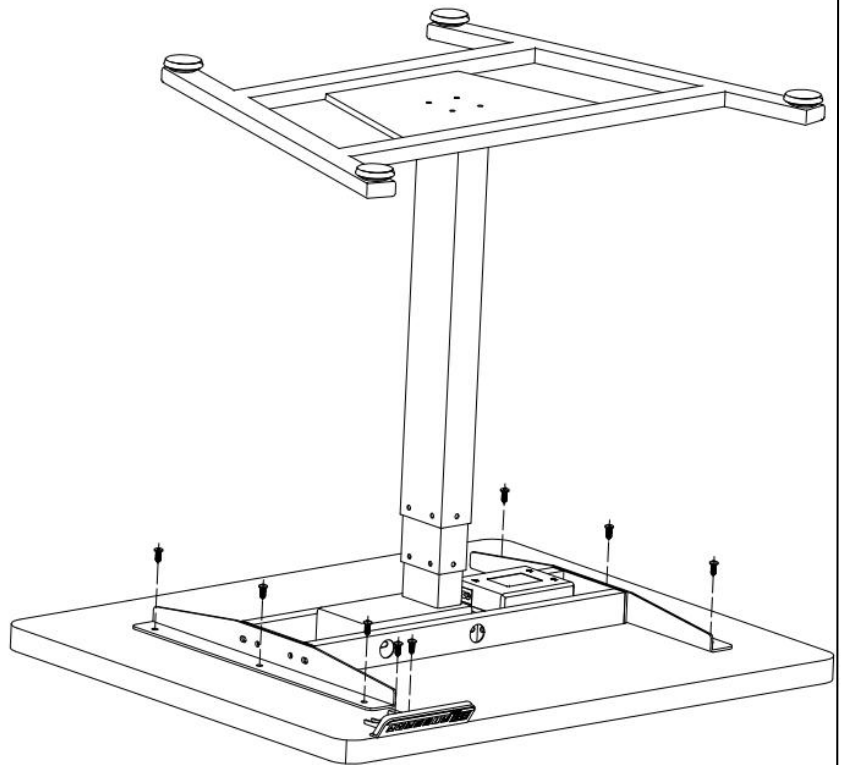
3 per Side Bracket (Part 2) ---6 total

2 per Handset (Part 11)--- 2 total

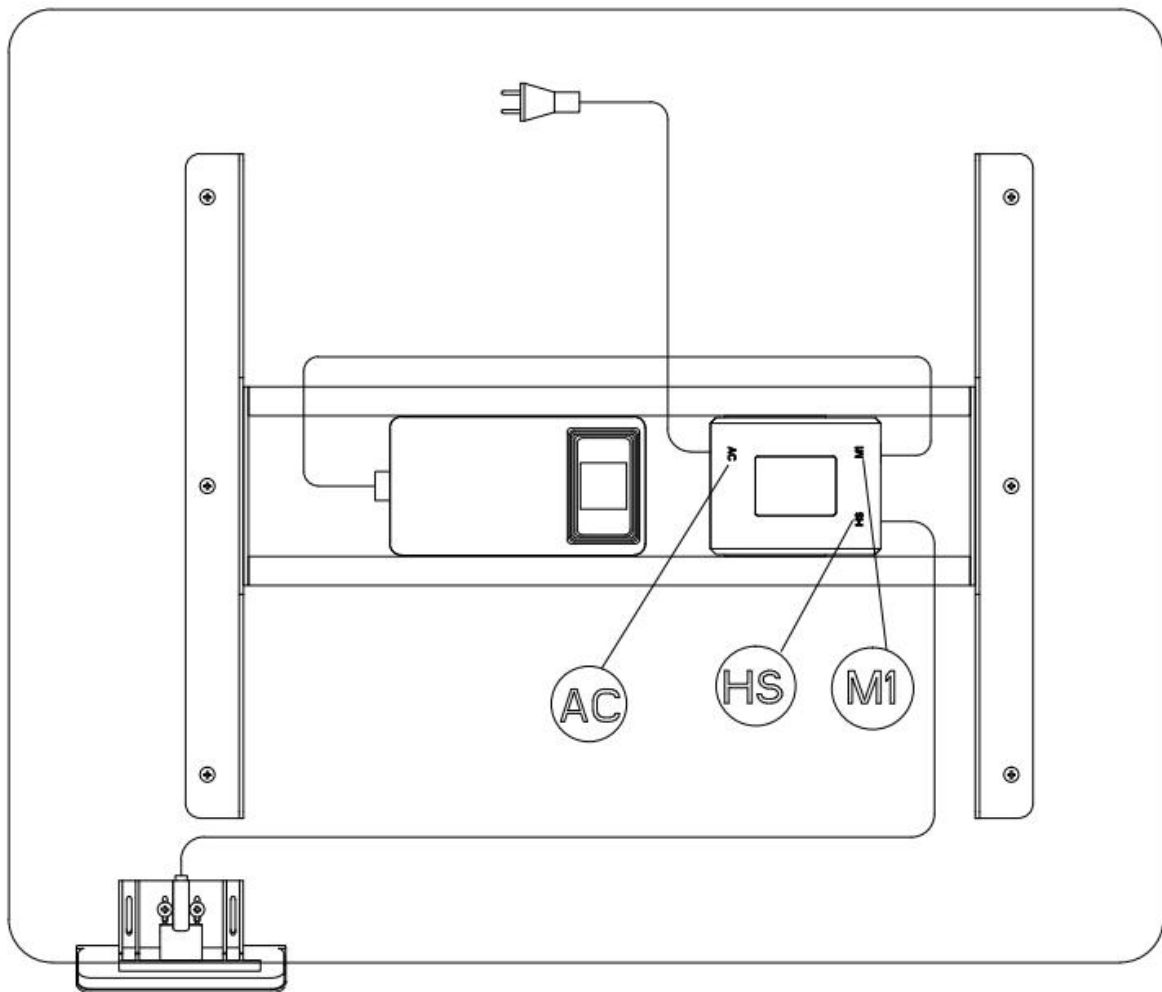
Place the Handset (Part 11) so the front of the handset is flush with the edge of the front desktop edge or recessed up to 4mm.

Use 2pcs M5*16mm Wood Screws to attach the handset to the desktop.

Do not over tighten screws. May lead to damage to components.



Step 5



Connect the following to the Control Box (Part 8) as show:

Handset (Part 11), Cable (Part 10) and Power Cord (Part 11).

Use the adhesive-backed Cable Clips (Part 13) to secure all cables neatly.

With assistance, turn the desk right side up by the frame, not the desktop surface. Adjust the Leveling Feet (Part 6) on the feet as necessary.

Step 6

Almost done .Before using your desk, it is recommend to run through the reset procedure. Press and hold the down arrow on the handset until the desk reaches its lowest height. Release and hold down arrow again until the display reads RST.

You will here 1 beep sound the frame will move down slightly then up. This completes the reset procedure.

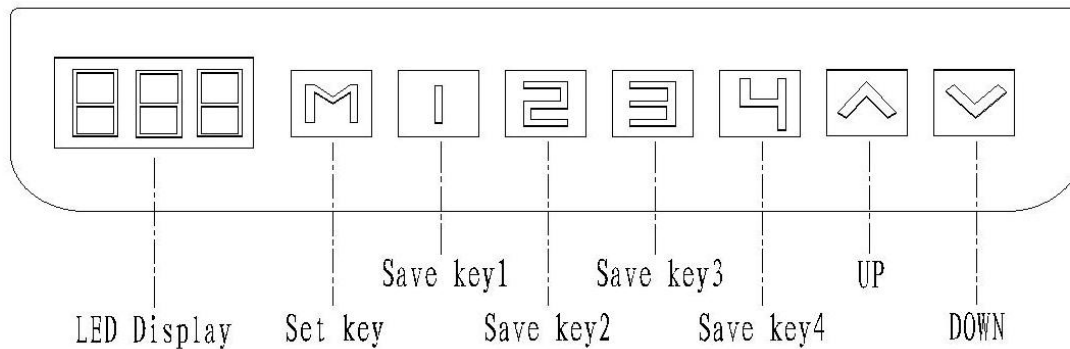


CONGRATULATIONS !

Your desk is ready to use.

1.The interface of hand controller

The key instructions:



2.Initialization Operation

- When the system is abnormal, or hand controller display the "RST", you need to make lift table initialized, initialization, Press the "DOWN" button, until the motor stopped then after 5 second, enter the initialization mode automatically. At this time can't loosen the "DOWN" button, if loosen "DOWN" button system initialization stop. When Initialization is complete, the buzzer will prompt, said initial success.

3.Up Down Operation

- When press the "UP" button, the desktop upward run, until reach the highest point of the desktop.
- When press "DOWN" button, desktop run DOWN, until you reach the lowest desktop.
- When short press "UP" or "DOWN" button, desktop to run a small distance, corresponding implementation point move.

4.Store Position and Memory run

- The hand controller can store to 4 points, the storage method is as follows, when running to a specific point, press "SET" button, the digital tube display "S -", "-" flash at the same time, press "1-4" at this time, storage location to the corresponding label at this time.
- If you want to run memory Position at this time only need to click on the corresponding storage location of the label, the digital tube will display corresponding to the height of the label position, the corresponding height position then automatically run to the store, run time, any key to stop the system.

5.The minimum limit set

- System supports desktop minimum height limit, methods for operation, when it comes to setting the lowest height for the desktop height, the corresponding height at the same time Press the "SET" and "DOWN" button for 5 seconds, the buzzer sound can be heard at this time, is the location of the minimum storage success.
- Cancel storage minimum height limit method 1: initialize the system, system low cancelled.Method 2: allow the desktop to run low, at the same time Press the "SET" and "DOWN" button for 5 seconds will hear the buzzer sounds at this time, said the lowest position to cancel the success.

6.The maximum limit set

- System supports desktop maximum height limit, methods for operation, when it comes to setting the highest height for the desktop height, the corresponding height at the same time Press the "SET" and "UP" button for 5 seconds, the buzzer sound can be heard at this time, is the location of the maximum storage success.
- Cancel storage maximum height limit method 1: initialize the system, system high cancelled.Method 2: allow the desktop to run high, at the same time Press the "SET" and "UP" button for 5 seconds will hear the buzzer sounds at this time, said the lowest position to cancel the success.

7.Lock and Unlock the desktop

- Lock: at the same time press the "UP" + "DOWN" for 5 seconds, when hearing the buzzer sounds at this time the digital tube display "-", said the system has been locked, can't make a lift to the system operation.
- Unlock: at the same time Press the "UP" and "DOWN" for 5 seconds, when hearing the buzzer sounds at this time the digital tube from the "-" shows to the normal digital display, the said system has been unlocked.

OPERATION GUIDE

Error Code Key

Code	Meaning	Suggested Actions
E01	High voltage of power supply	Check the power supply
E02	Unbalance more than 10mm	Try to reset the desk
E03	Unconnected to the handset	Plug into the control box
E04	Miscommunication of handset	Check if handset is connected
E05	Resistance	Release then use again
E06	Error on main power	Change the Control box
E07	Protection of power supply	Release then use again
E08	Unbalance of the tabletop	Try to reset the desk
E09	Overheated; Or duty cycle limit was reached	Let the desk cool down for 20 minutes then start to use.
E11/21	Unconnected with motor M1/M2	Check the cables
E12/22	Communication Error	Change the control box
E13/23	Lose phase line with motor M1/M2	Check the cables
E14/24	Faulty hall plate	Change the hall plate
E15/25	Short circuit	Change the motor M1/M2
E16/26	Motor blocked	Release then reset the desk
E17/27	Faulty motor	Change the motor M1/M2
E18/28	Overloaded	Reduce weight on the frame