

Electric Standing Desk

Dual
Motor



DM8P



Anti-Collision Technology, used commercial-grade materials like heavy-duty aluminum and steel, with a load capacity of 220lbs (100 kgs).

Frame Width Adjustment

1116-1835 (44"-72")



Height Adjustment



635~1275mm (25"~50")

Powerful smooth dual motor lift system with very sturdy steel. The strong legs use telescopic adjustment transitioning from sitting to standing in seconds with a simple touch.



Color: Maple

Two-pieces type tabletop that has an inbuilt aluminum Tablet/Phone stand feature.

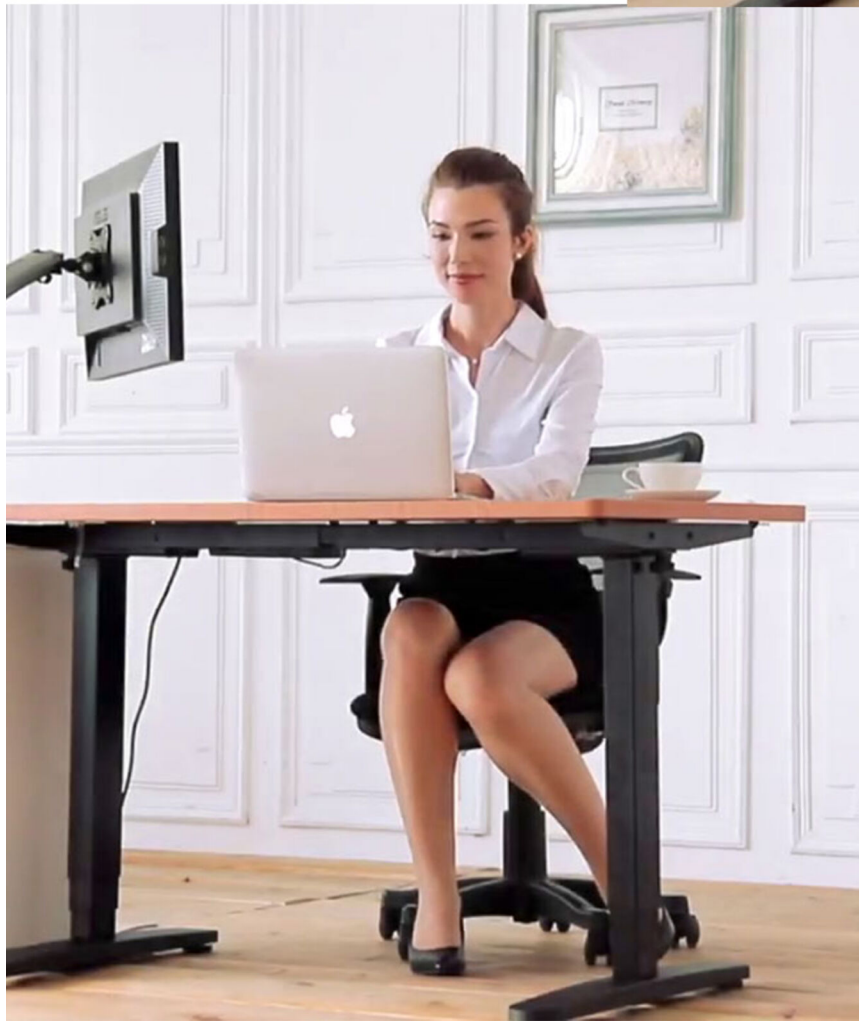
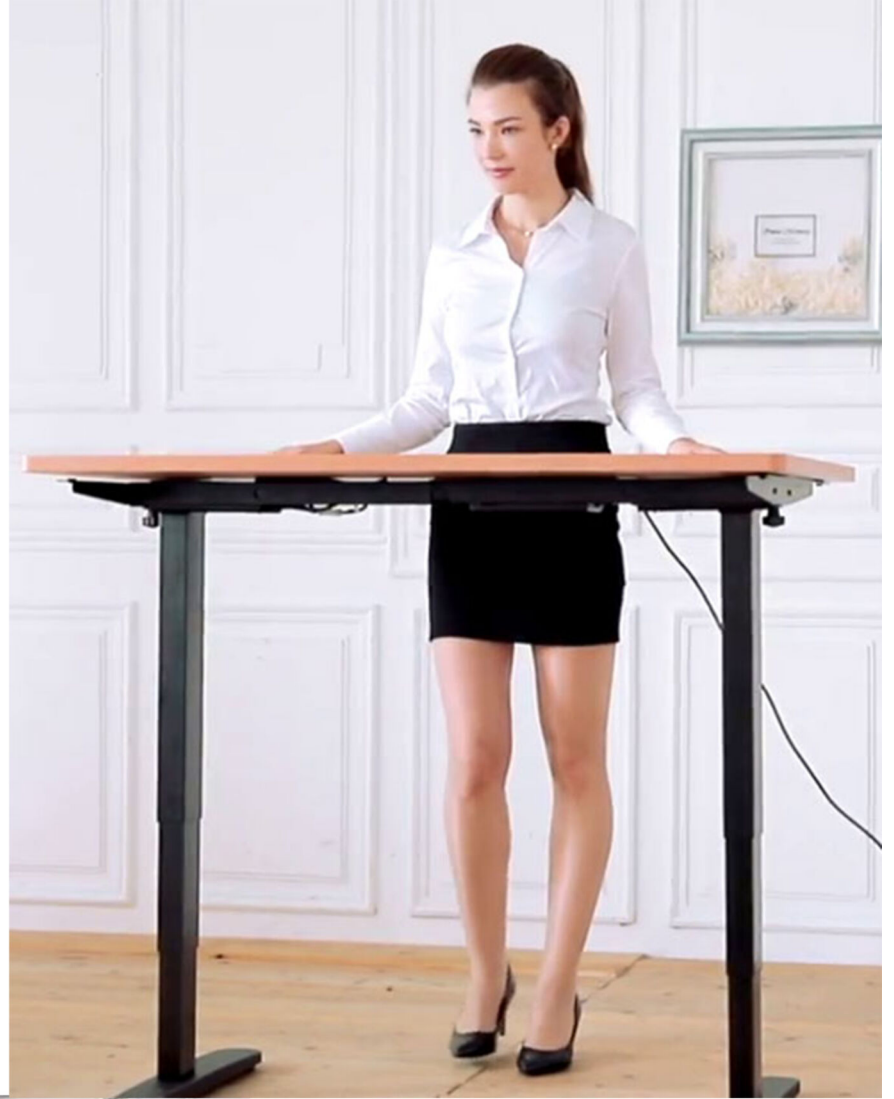
Table top sizes: 730mm x 1370mm x 25mm (28.7" x 54" x 1")

Elegant Controller

Advanced Controller stores up to three preset heights so you can save your settings, Just tap the button then stand up and move your chair aside as your desk elevates automatically.



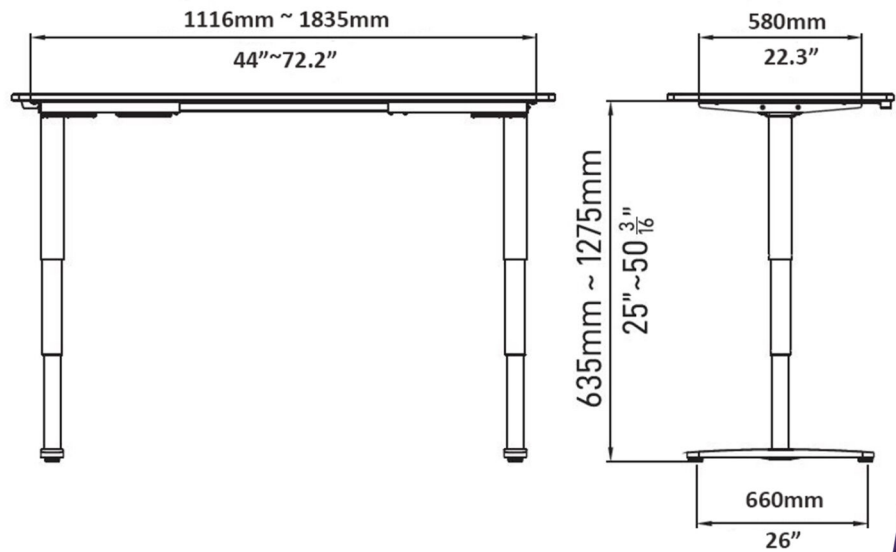
Standing throughout the day also keeps the mind alert and productive while you work.



Switching between sitting and standing throughout a long workday provides several health benefits for the body, such as increased blood flow and enhanced posture.



Easily Assemble within 5 minutes



Specifications

- ▶ **Height range: 635mm~1275mm (25\"**
- ▶ **Speed: 38mm/s**
- ▶ **Width range: 1116~1835mm (44\"**
- ▶ **Actual Frame Length: 43\"**
- ▶ **Weight Capacity: 100 Kgs (220.4 lbs)**
- ▶ **Low Noise Level: 50db**
- ▶ **Anti Collison: Yes**

www.rifeindia.com/

Contact us



India: Rife Technologies, 362, Vardhaman Plaza - II, J Block Community Center, Rajouri Garden, Delhi - 110027, India
E-mail: sales@rifeindia.com, Website: www.lcdtvstandsindia.com, www.rifeindia.com, Tel:+91-9899250704

Hongkong: Ergonomic Corporation Hongkong Limited, 1102, 11th floor, 33 hysen Avenue, Lee Garden one, Causeway Bay, Hongkong
E-mail: sales@ergoshopping.com, Website: www.ergoshopping.com, Tel: 852-98226451