



Dual Motor Standing Desk



Perfect piece for your standing desk workstation, allowing you to find that much needed healthy balance of sitting and standing throughout the long workday. double-motor electric height adjustable desk frame only and requires a separate purchase of a tabletop with a recommended 1400mm wide by 700mm & 1200mm wide by 600mm, and a thickness of 25mm. Assembly is an easy-to-do process and we include all the necessary hardware to get your desk frame put together and mounted to your desired desktop.



4 memory height adjustment preset legs from sitting to standing in seconds with simple press, Elegant LCD control panel setting to your desired heights from 27.5" to 43.3", which is working for Three generations' studying, gaming and working



The durable and strong reinforced welded steel frame offers great structural support

Loading Capacity: 120 kg

Adjustment Speed: 30 mm/s (dual motors)



The open design allows for optional leg space and also give you freedom to extend frame length



Featres

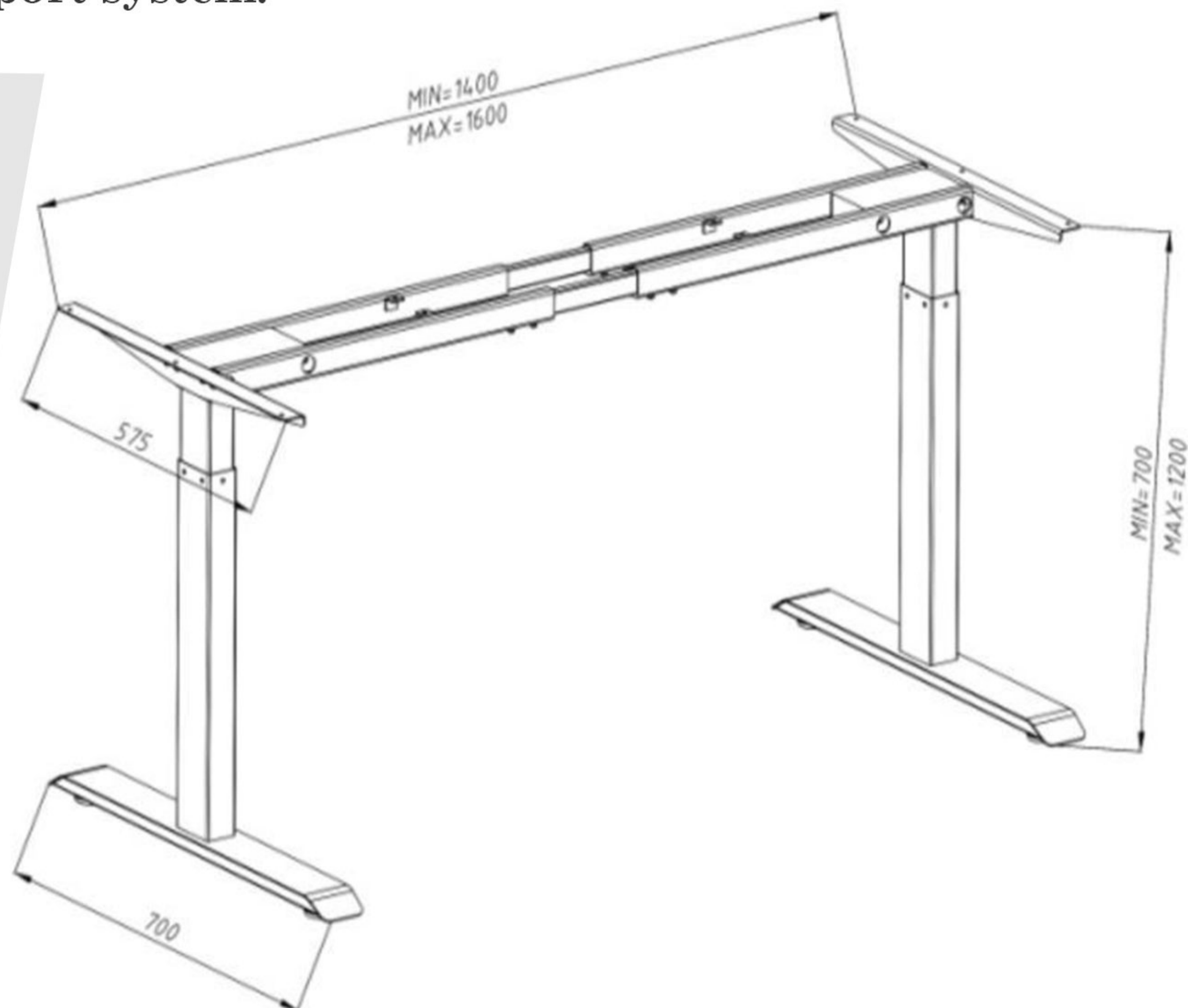
1. Allow faster ascending and descending elevation from your Motion desk
2. More power output and reliability when compared to a single motored desk.
3. Quiet motion during movement due to evenly power distribution from dual motors.
4. All steel construction and a thick leg support system.



Color: Maple

Available Table-top's (Optional):

1. length 47.2"/1200 mm
width 23.6"/600 mm
2. length 55.1"/1400 mm
width 27.5"/700 mm



Contact us