

**SINGLE SCREEN CUBICLE WALL ATTACHMENT MONITOR HANGER
MODEL: CUB01**



CUB01 offers you an easy solution to free up cubicle space, and improve job satisfaction. By simply hanging your monitor on cubicle wall, you completely reclaim space that was taken up by a monitor.

Every inch of your work surface in cubicle is valuable. Save space by hanging zero-footprint flat panel monitor from cubicle wall. Hangs from cubicle wall so there's no slat wall compatibility hassles. Even a slightly squeezed area can easily frustrate you.



Universal holder perfectly fits most cubicles. Suggested Desktop Thickness: 37mm~89mm (1.5"~3.5").

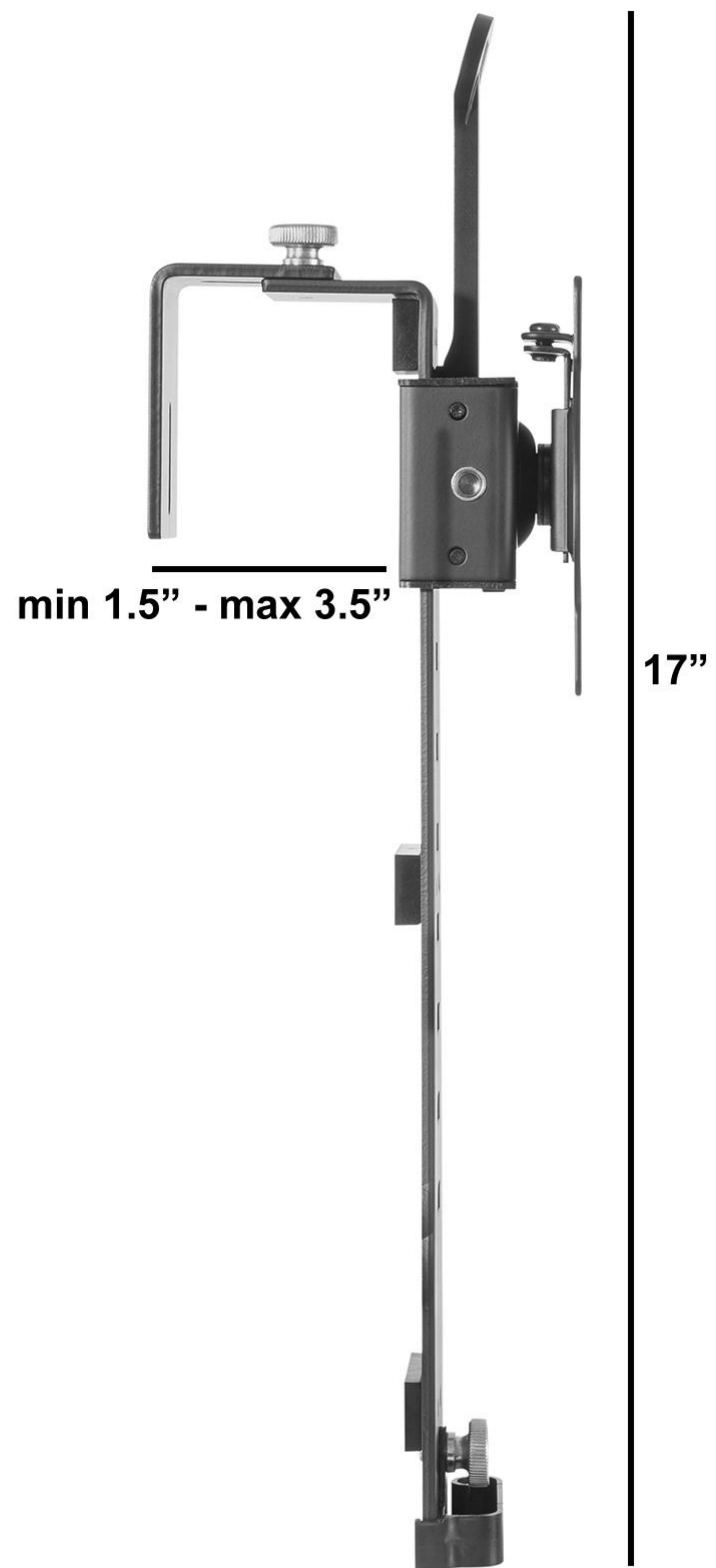
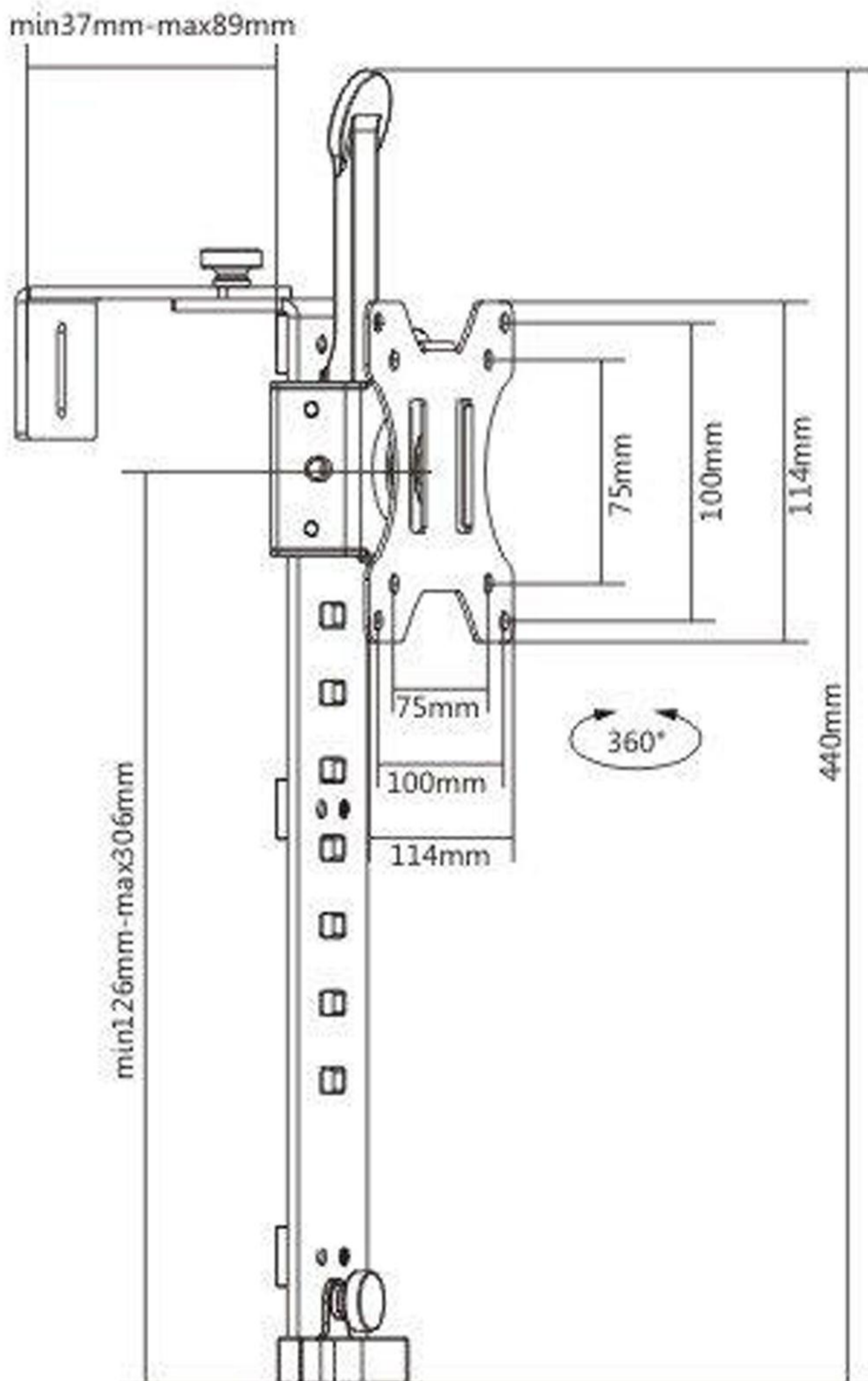


10 Height settings to adjust optimal viewing height



High grade material ensures a strong and stable connection with this monitor stand.

Dimensions



Description

Every inch of your work surface in cubicle is valuable. Save space by hanging zero-footprint flat panel monitor from cubicle wall. Hangs from cubicle wall so there's no slat wall compatibility hassles. Even a slightly squeezed area can easily frustrate you. LDT18-H01 offers you an easy solution to free up cubicle space, and improve job satisfaction. By simply hanging your monitor on cubicle wall, you completely reclaim space that was taken up by a monitor. Cable management clears up tangled cords on the desktop, and creates a clutter-free space. With multiple height settings, the monitor mount allows for comfortable viewing positions. Adjustable hanger is compatible with the depth of most cubicle walls. RG001 is the easiest and the most effective to create a clutter-free cubicle work space.

Features

- **TEN ADJUSTABLE HEIGHT:** 10 Height settings to adjust optimal viewing height.
- **UNIVERSAL MONITOR MOUNT:** Universal holder perfectly fits most cubicles. Suggested Desktop Thickness: 37mm~89mm (1.5"~3.5").
- **CABLE MANAGEMENT:** Clears up tangled cords on the desktop, and creates a clutter-free space.
- **ERGONOMIC ELEGANCE:** High grade material ensures a strong and stable connection with this monitor stand. The elegant engineering keeps your work space looking modern and sleek. Allowing you to work in a more comfortable position to reduce neck and eye strains.
- **Dimensions:** 114x145x440mm (4.5"x5.7"x17.3") , Screen Rotation: +180°~-180°, Monitor Weight Capacity (per screen): 8kg (17.6lbs).

Contact us

India: Rife technologies, 362, Vardhamn Plaza - II J Block Community Center. Rajouri Garden, Delhi - 110027
E-mail: sales@rifeindia.com | Website: www.lcdtvstandsindia.com, www.rifeindia.com, www.ergodesks.in
Tel: +91-9899250704

Hongkong: Ergonomic Corporation Hongkong Limited, 1102, 11th floor, 33 hysen Avenue, Lee Garden one Causeway Bay, Hongkong

E-mail: sales@ergoshopping.com | Website: www.ergoshopping.com | Tel: 852-98226451

